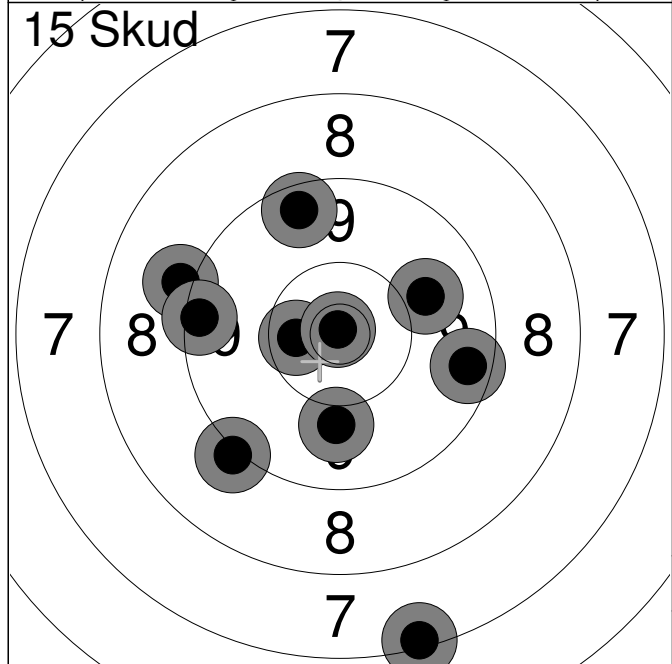
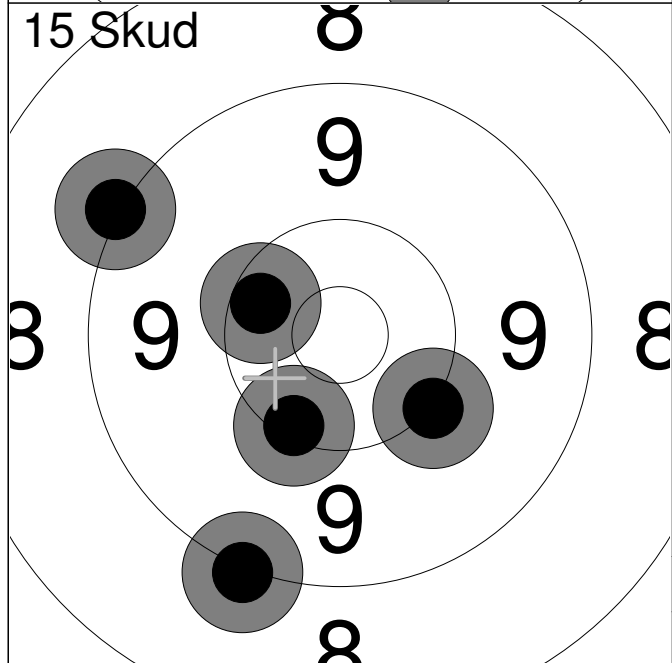


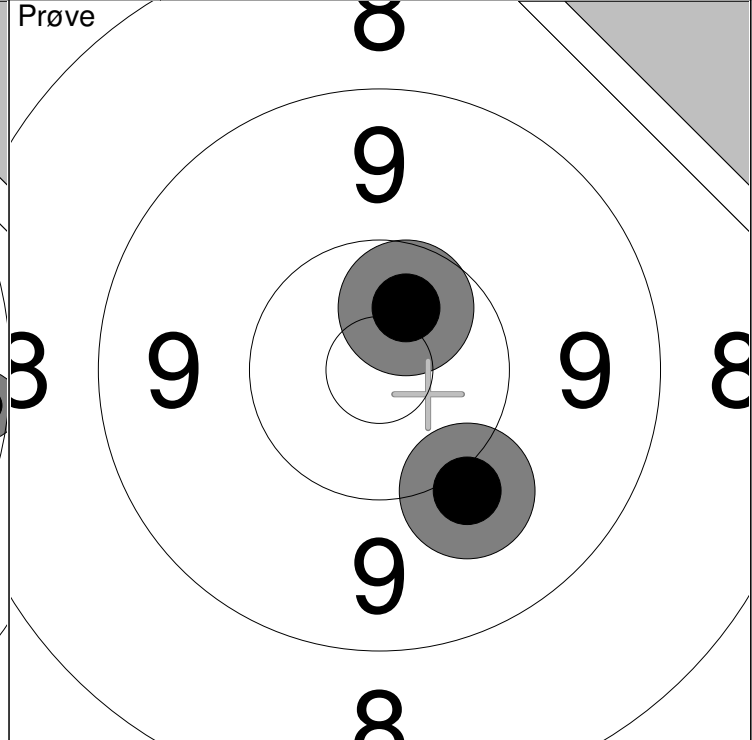
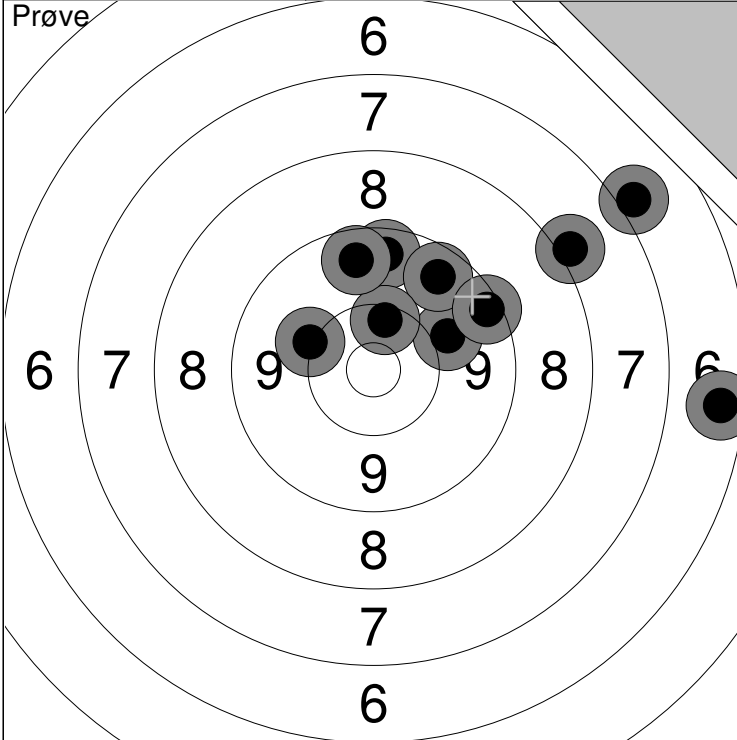
1:	9.6	←
2:	*10.5	↑
3:	6.6	←
4:	10.3	↓
5:	8.6	←
6:	8.2	←
7:	10.1	↑
8:	10.2	↑
9:	8.6	↓
10:	9.9	↙
Serie		88.0
Total		0.0



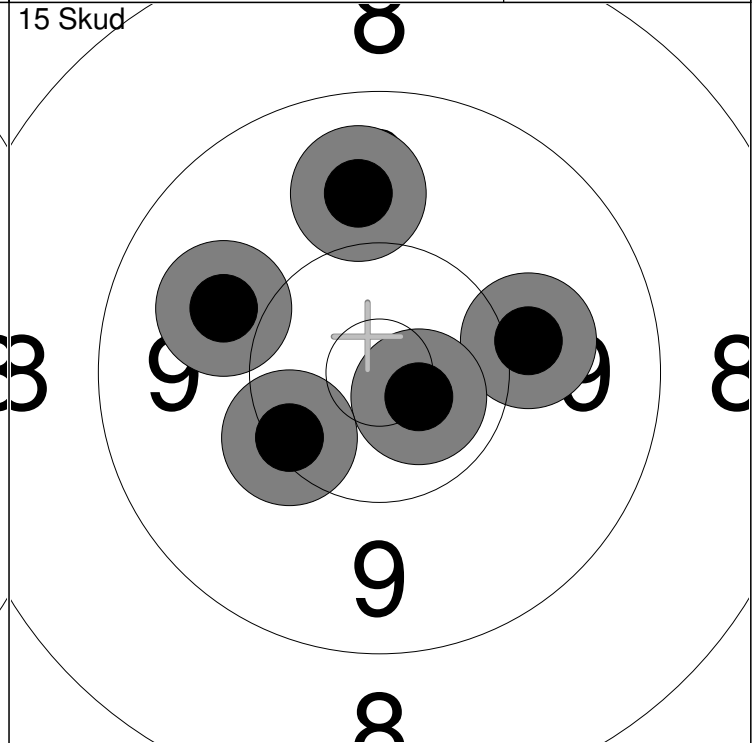
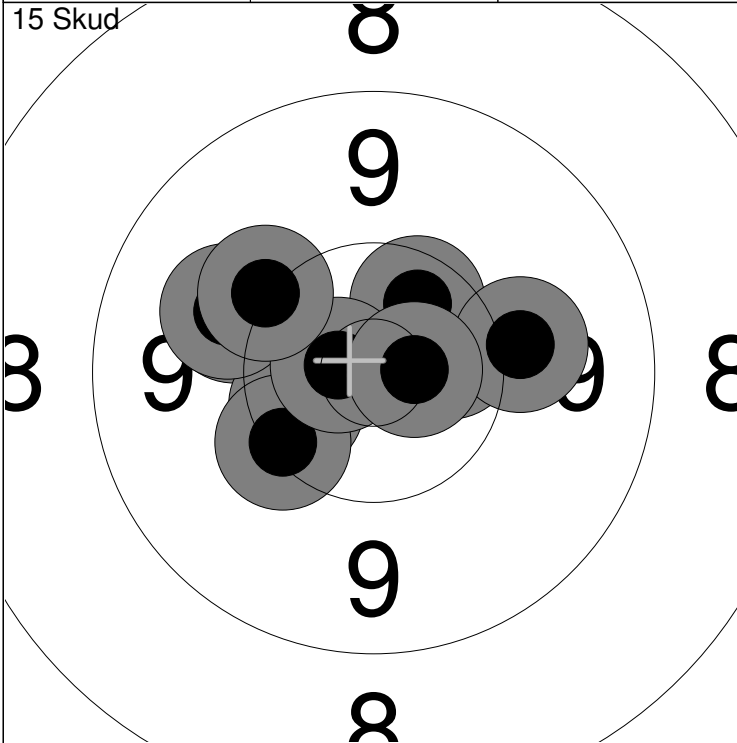
1:	9.5	→
2:	9.9	→
3:	*10.5	←
4:	*10.9	↑
5:	7.3	↓
6:	9.0	←
7:	9.1	↙
8:	9.5	↑
9:	9.4	←
10:	10.0	↓
Serie		91.0
Total		91.0



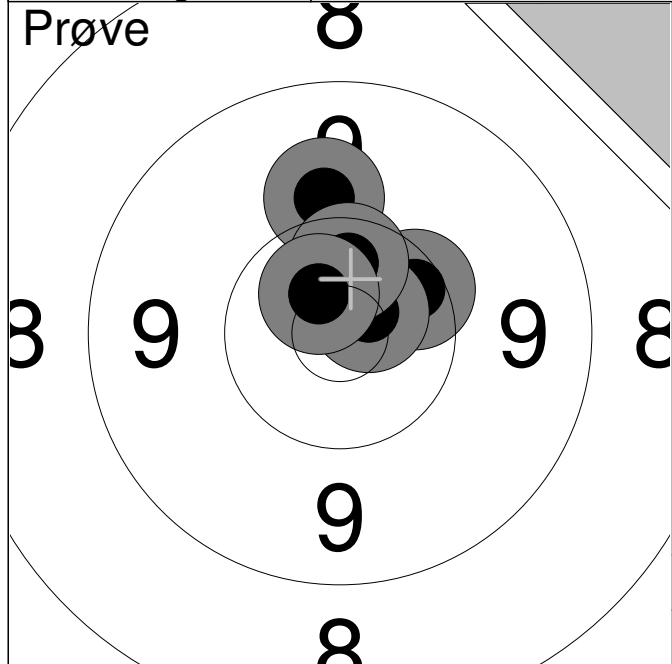
11:	10.3	↙
12:	10.1	↓
13:	9.1	↙
14:	10.4	↑
15:	9.1	↑
Serie		48.0
Total		139.0



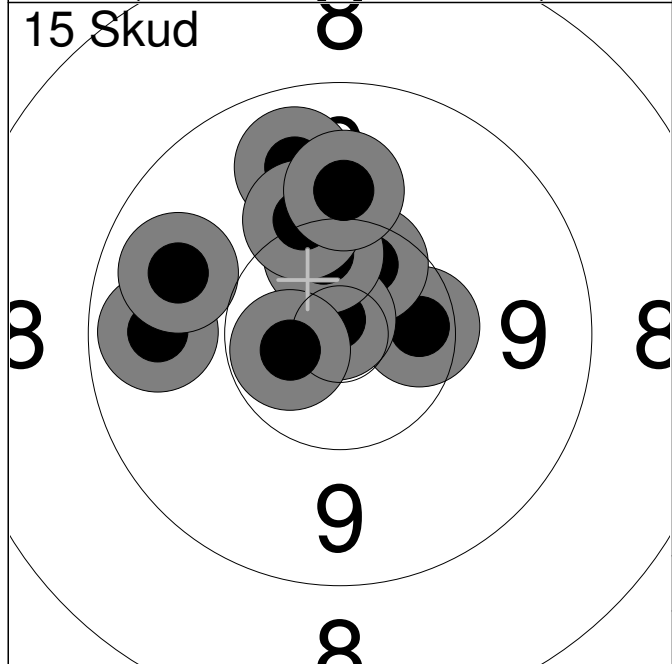
1: 8.0 ↗	6: 9.6 ↗	Serie	87.0	11: *10.5 ↗	Serie	20.0
2: 9.5 ↑	7: 10.1 ↖			12: 10.0 ↘		
3: 6.5 →	8: 9.4 ↗	Total	0.0	Total	0.0	
4: 7.0 ↗	9: 10.3 ↑					
5: 10.0 ↗	10: 9.6 ↑					



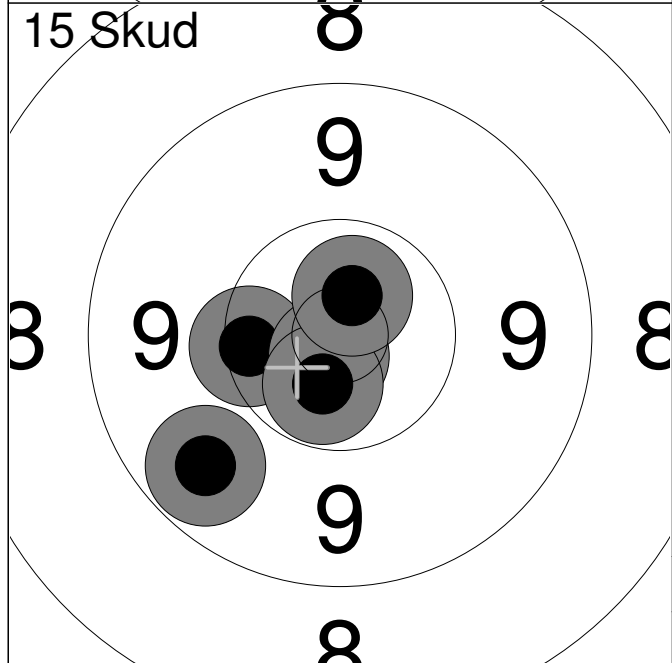
1: *10.5 →	6: 10.0 ↖	Serie	100.0	11: 10.0 →	Serie	48.0
2: 10.0 ↖	7: *10.7 ↖			12: *10.7 ↘		
3: *10.5 ↗	8: 10.0 →	Total	100.0	13: 9.9 ↖	Total	148.0
4: *10.4 ↖	9: 10.1 ↖			14: 9.8 ↑		
5: 10.3 ↖	10: *10.7 →					
				15: 10.3 ↖		



1:	10.0	↑
2:	*10.7	↗
3:	10.4	→
4:	*10.7	↗
5:	*10.5	↑
6:	*10.6	↖
Serie		60.0
Total		0.0



1:	9.7	←
2:	9.8	↖
3:	10.4	→
4:	*10.4	↗
5:	*10.8	↑
6:	10.4	↑
7:	9.8	↑
8:	*10.6	←
9:	10.1	↑
10:	10.0	↑
Serie		97.0
Total		97.0



11:	10.3	←
12:	9.6	↙
13:	*10.8	↘
14:	*10.6	↘
15:	*10.7	↑
Serie		49.0
Total		146.0

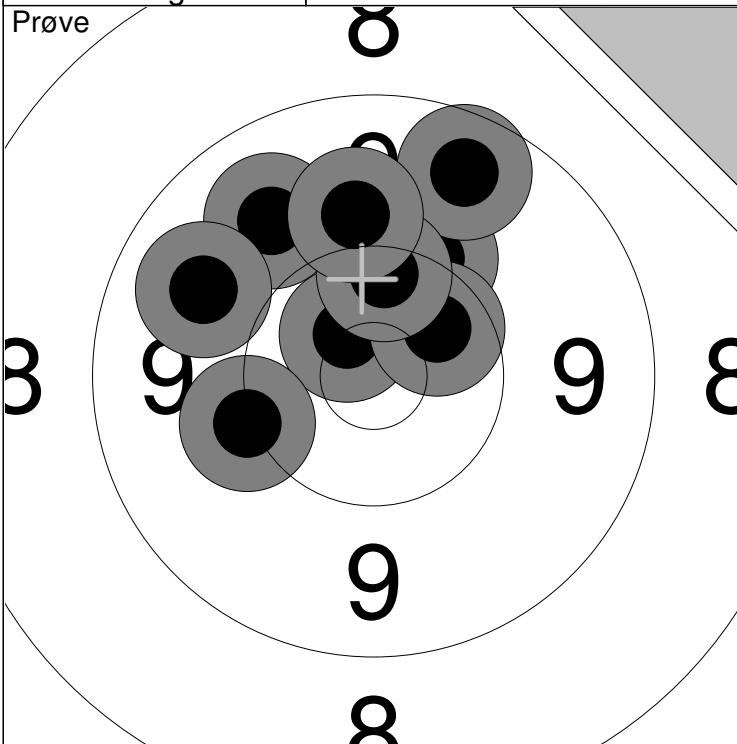
Vilsted Skf.

27. - 28. august 2011

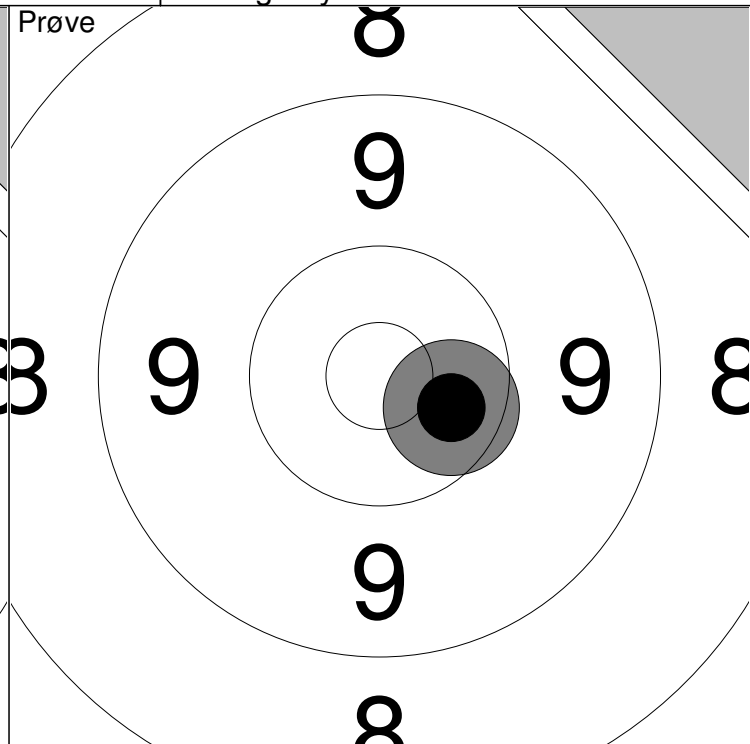
NM 2011

Aalborg Skyttekreds

Prøve



Prøve



1: *10.7 ↗

6: 9.8 ↖

11: *10.5 →

2: 10.1 ↙

7: 9.6 ↗

Serie 97.0

Serie 10.0

3: 9.8 ↗

8: *10.5 ↗

Total 0.0

Total 0.0

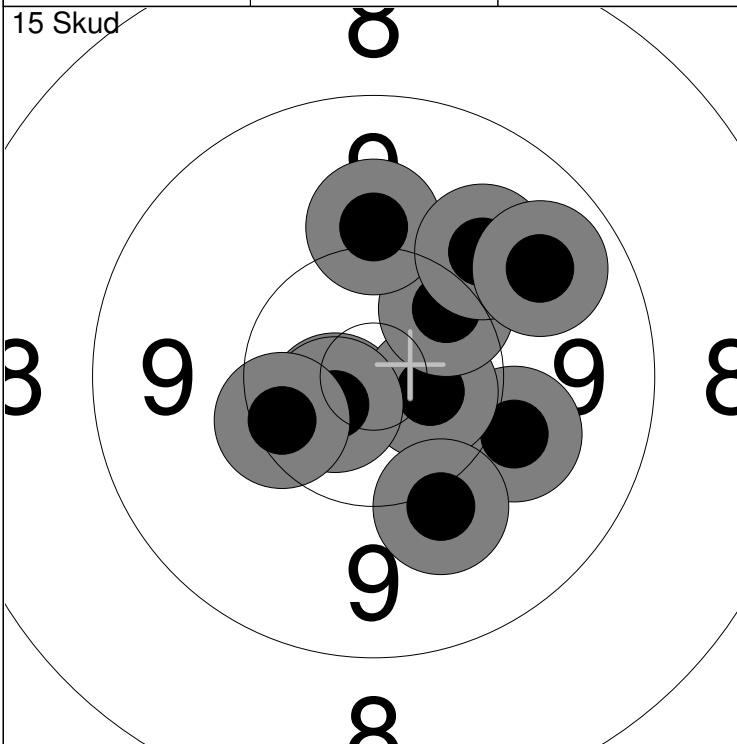
4: 10.1 ↗

9: 10.3 ↗

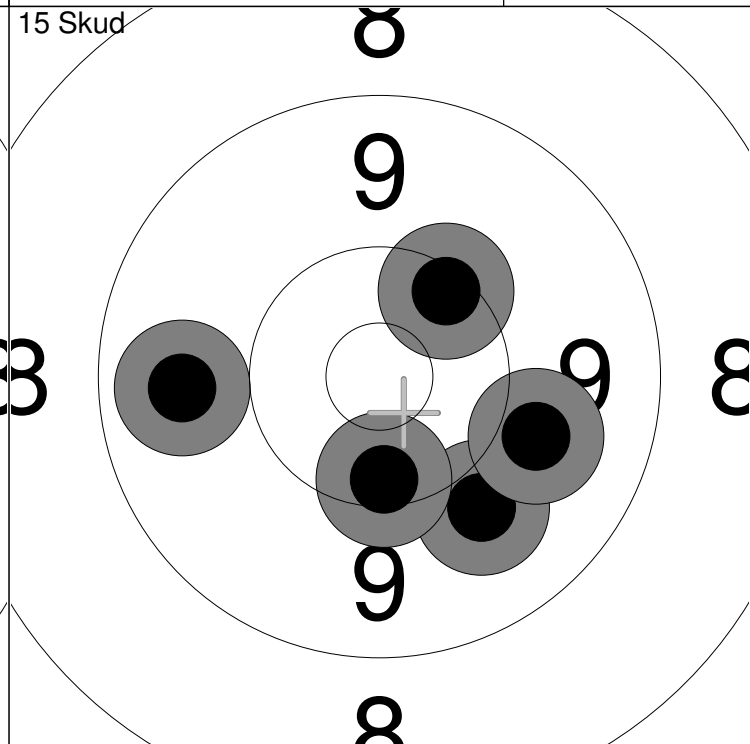
5: 10.2 ↗

10: 10.0 ↗

15 Skud



15 Skud



1: 10.0 →

6: 10.1 ↓

11: 9.7 ←

2: *10.7 ↙

7: 10.0 ↗

Serie 98.0

12: 9.9 ↓

Serie 47.0

3: *10.6 →

8: 9.9 ↗

Total 98.0

13: 10.3 ↗

Total 145.0

4: *10.7 ↙

9: 9.7 ↗

5: 10.3 ↗

10: 10.3 ↙

14: 10.3 ↓

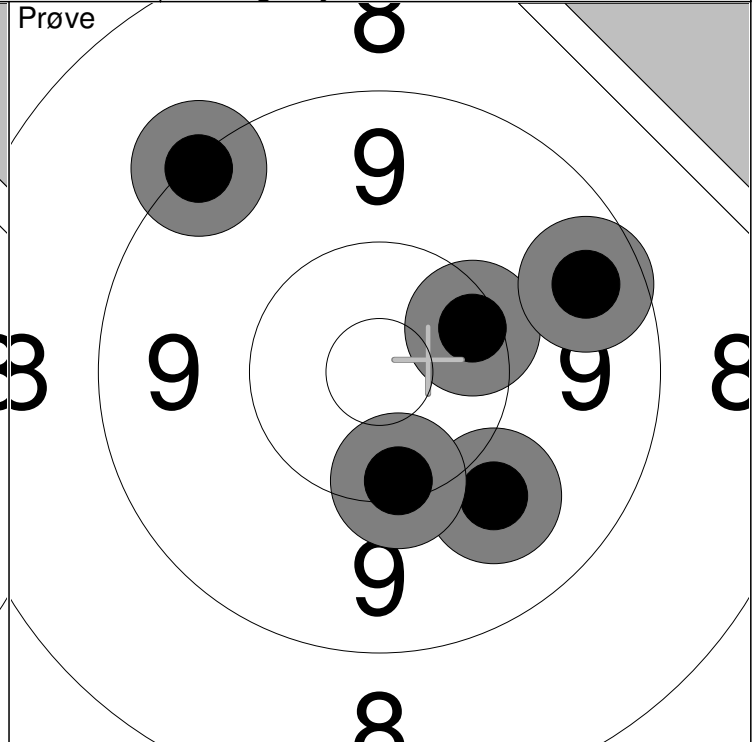
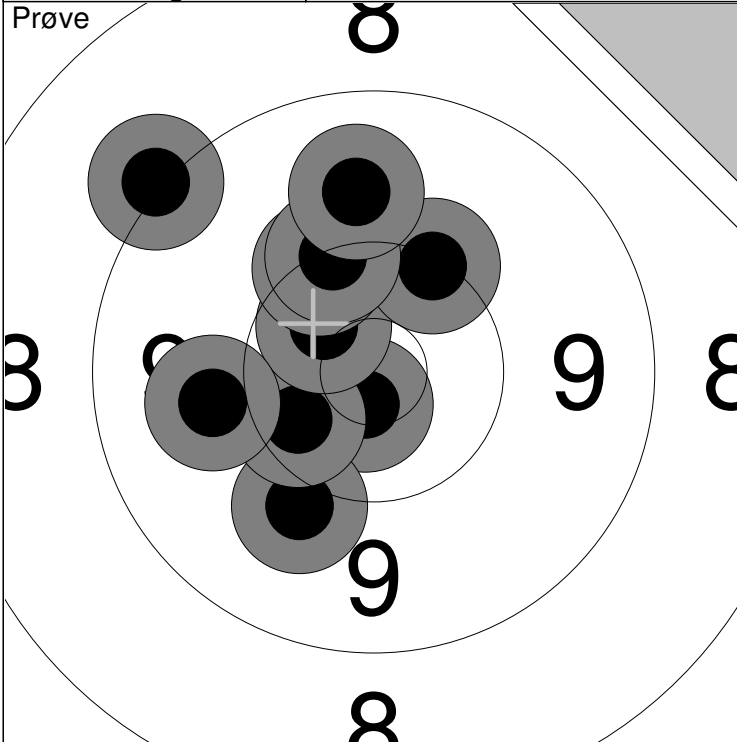
15: 9.9 →

Vilsted Skf.

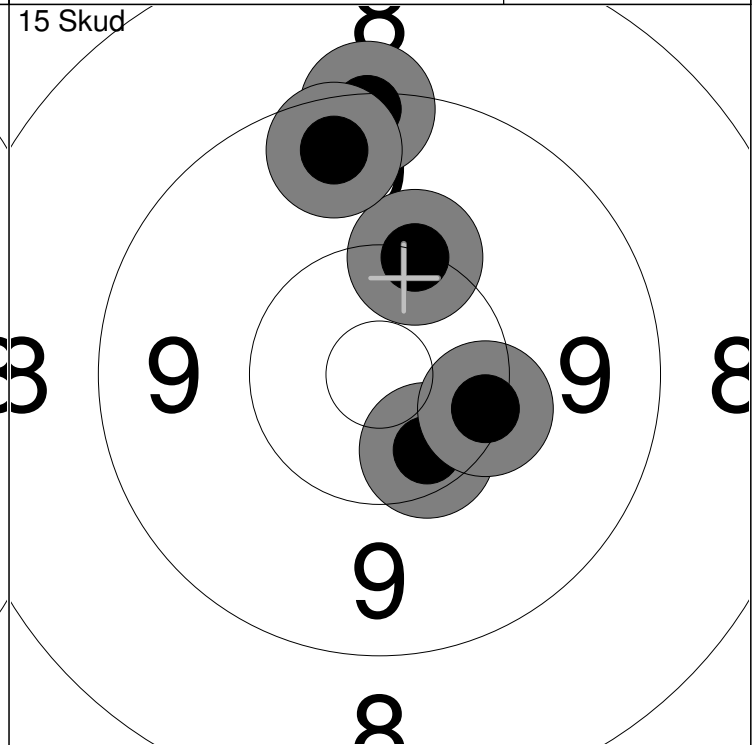
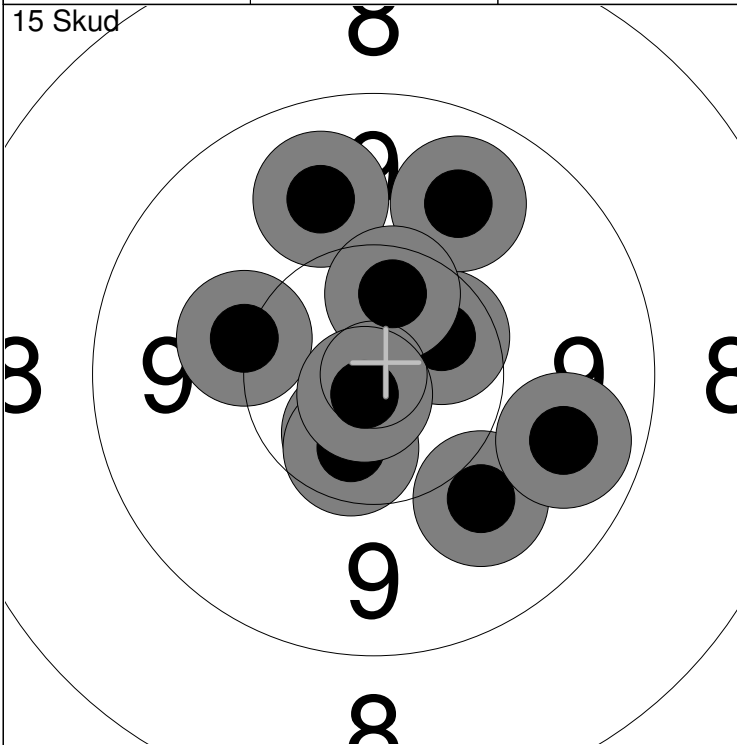
27. - 28. august 2011

NM 2011

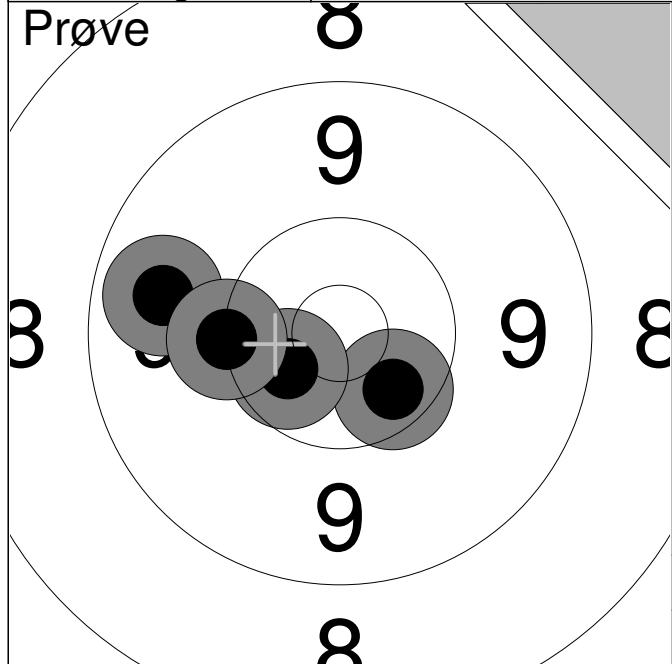
Aalborg Skyttekreds



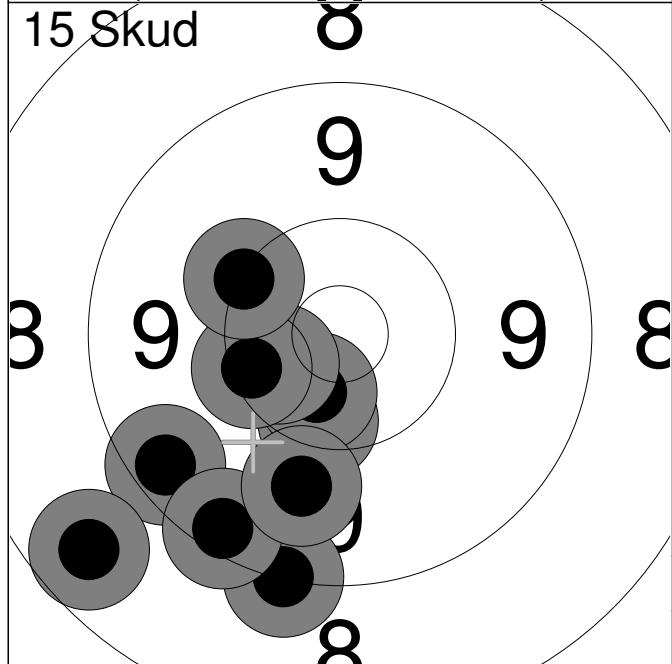
1: 9.1 ↖	6: 9.9 ←	Serie	97.0	11: 9.9 ↘	Serie	47.0
2: *10.7 ↓	7: 10.2 ↗		Total	0.0		12: 10.3 →
3: 10.0 ↓	8: 10.2 ↗	13: 9.2 ↖				
4: 10.4 ←	9: 10.2 ↗	14: 9.6 →				
5: *10.5 ↖	10: 9.8 ↗	15: 10.3 ↓				



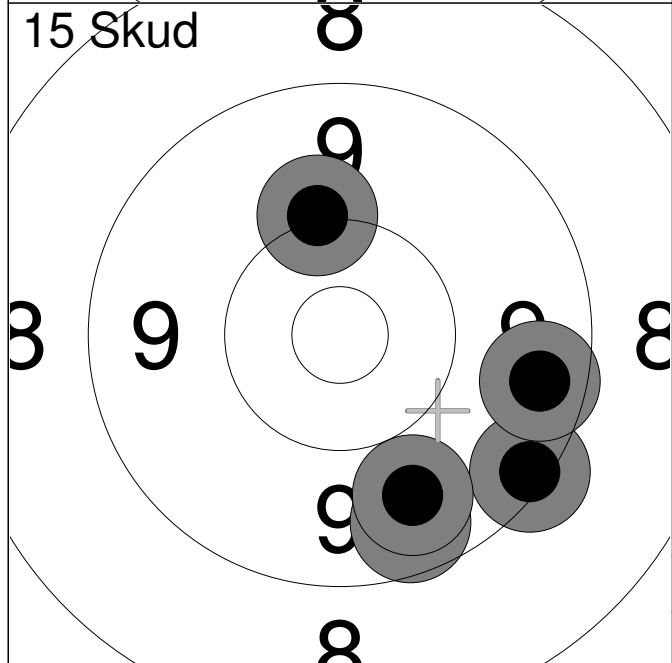
1: 9.9 ↓	6: *10.6 ↓	Serie	96.0	11: 10.4 ↓	Serie	48.0
2: 9.7 →	7: *10.5 ↓		Total	96.0		12: 10.2 ↗
3: *10.5 ↗	8: 10.1 ←	13: 9.3 ↗				
4: 9.8 ↗	9: *10.4 ↗	14: 10.3 →				
5: 9.8 ↗	10: *10.8 ↓	15: 9.5 ↗				



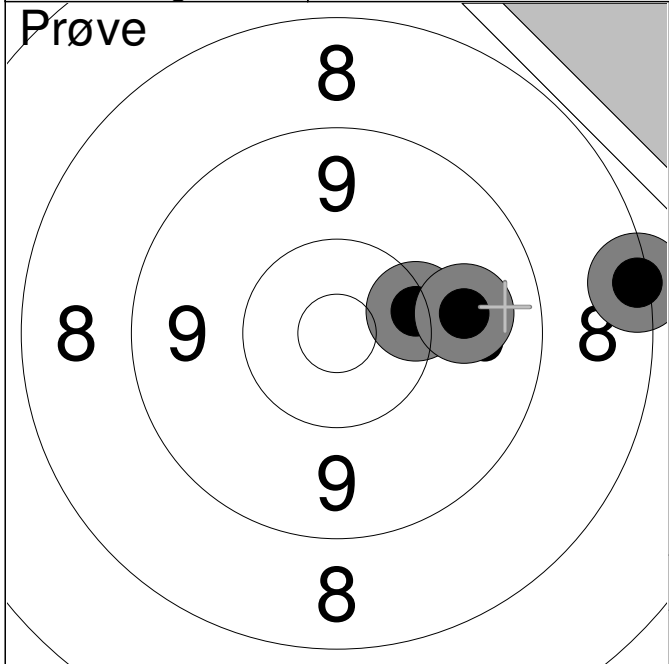
	1:	9.7	←
	2:	*10.4	↓
	3:	*10.5	↙
	4:	10.2	←
Serie			39.0
Total			0.0



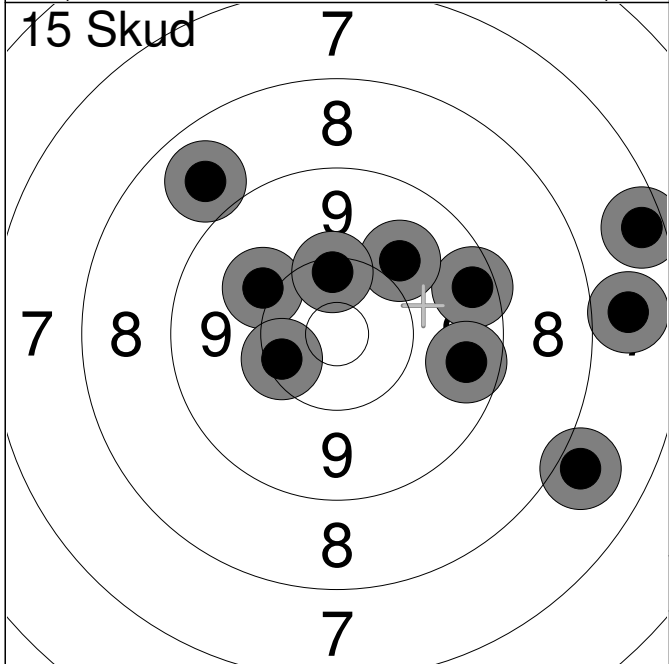
	1:	9.4	↙
	2:	10.3	↓
	3:	*10.5	↓
	4:	*10.5	↙
	5:	10.3	↙
	6:	9.2	↓
	7:	8.6	↙
	8:	9.4	↙
	9:	10.2	↗
	10:	9.9	↓
Serie			94.0
Total			94.0



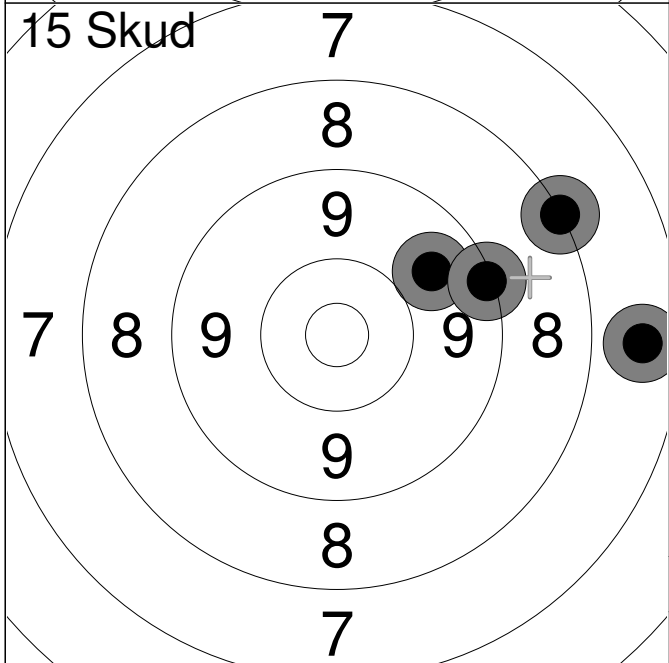
	11:	9.3	↓
	12:	10.1	↗
	13:	9.5	↓
	14:	9.5	↗
	15:	9.7	↙
Serie			46.0
Total			140.0



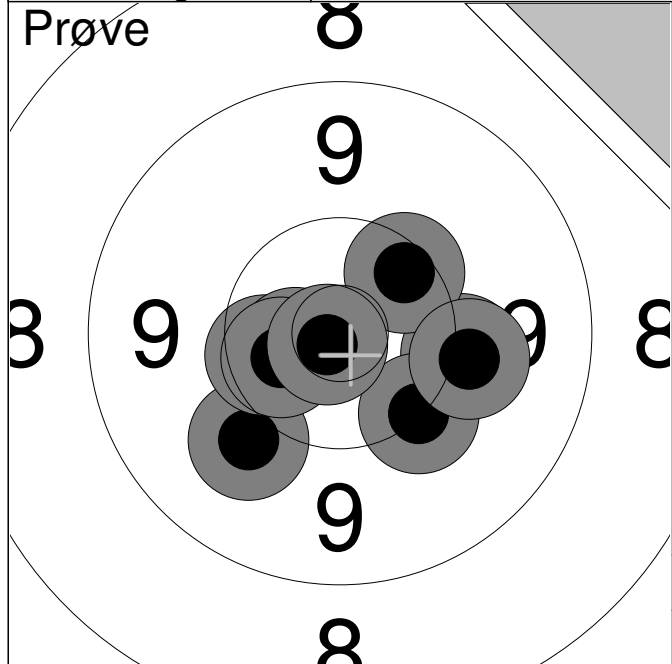
	1:	8.3	→
	2:	10.3	→
	3:	9.9	→
Serie			27.0
Total			0.0



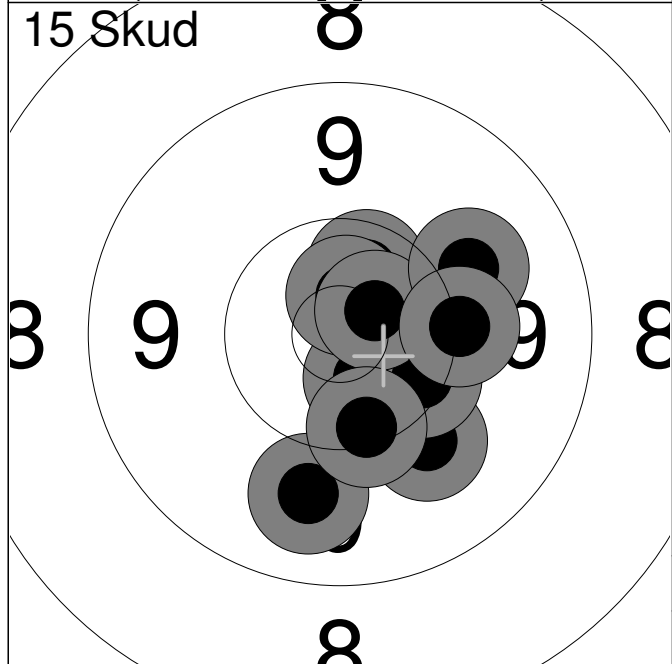
	1:	10.0	↖
	2:	9.4	→
	3:	10.3	↙
	4:	9.9	↗
	5:	7.8	→
	6:	7.9	↘
	7:	8.8	↗
	8:	9.6	→
	9:	7.4	→
	10:	10.3	↑
Serie			86.0
Total			86.0



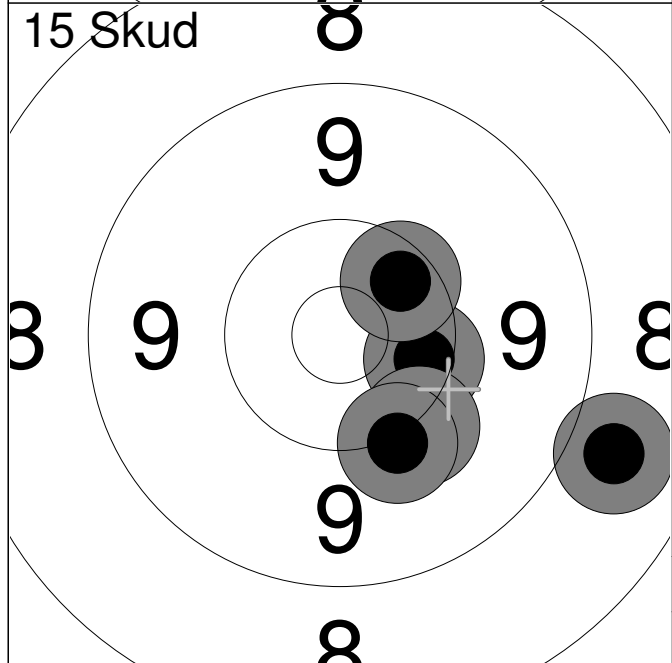
	11:	9.8	↗
	12:	9.2	→
	13:	7.6	→
	14:	8.2	↗
Serie			33.0
Total			119.0



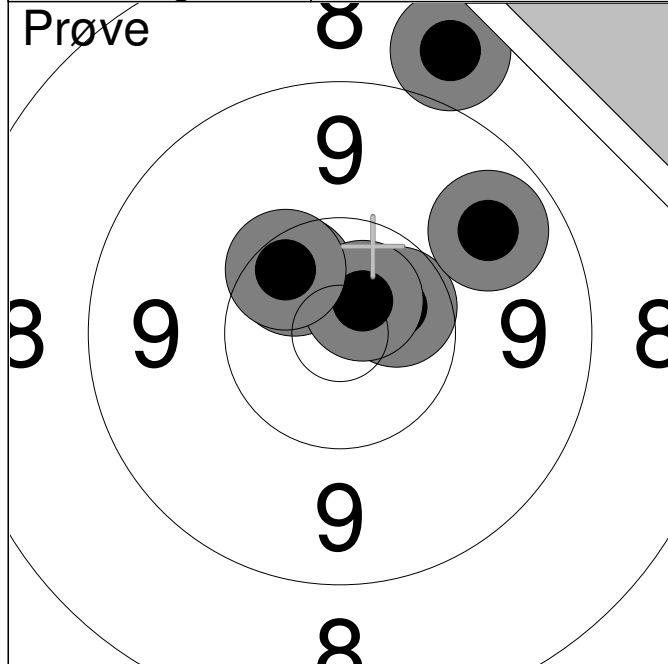
1:	10.0	↙
2:	*10.4	←
3:	*10.6	←
4:	*10.5	←
5:	10.1	→
6:	10.3	↗
7:	10.2	↘
8:	10.0	→
9:	*10.8	↙
Serie		90.0
Total		0.0



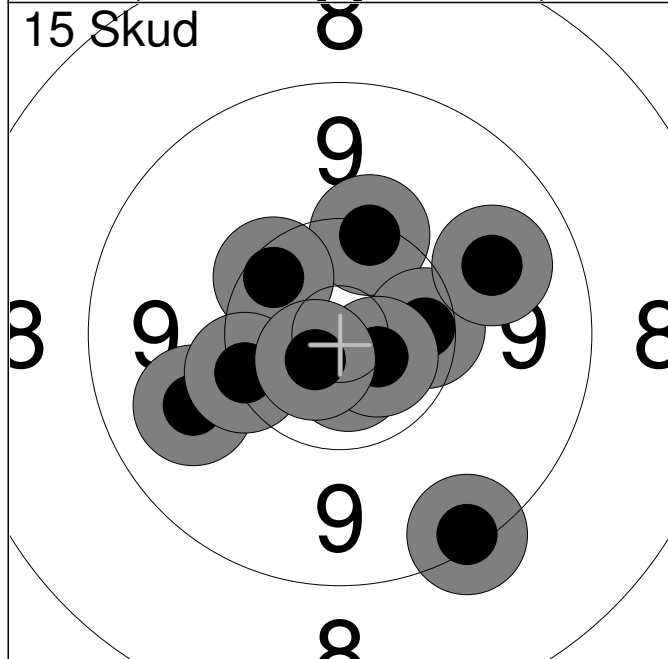
1:	10.0	↘
2:	9.8	↘
3:	*10.6	↘
4:	*10.5	↗
5:	10.3	↘
6:	*10.7	↗
7:	*10.7	↗
8:	10.0	↗
9:	10.3	↘
10:	10.1	→
Serie		99.0
Total		99.0



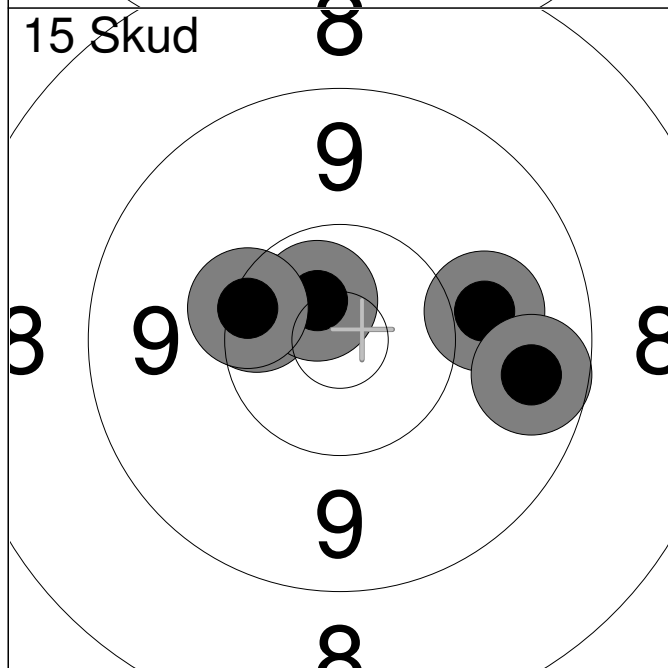
11:	10.4	→
12:	8.8	→
13:	10.4	↗
14:	10.1	↘
15:	10.1	↘
Serie		48.0
Total		147.0



1:	8.8	↑
2:	*10.5	→
3:	9.7	→
4:	*10.5	↑
5:	*10.7	↑
6:	10.4	↑
Serie		57.0
Total		0.0



1:	*10.7	↓
2:	10.2	↑
3:	10.3	↑
4:	10.4	→
5:	9.8	←
6:	10.2	←
7:	*10.6	↓
8:	*10.7	←
9:	9.8	→
10:	9.3	↓
Serie		97.0
Total		97.0



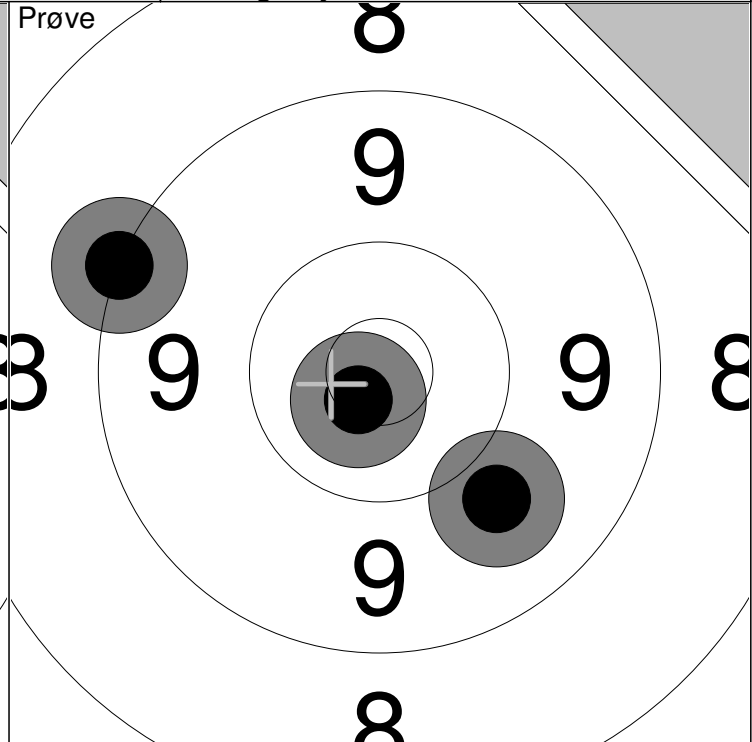
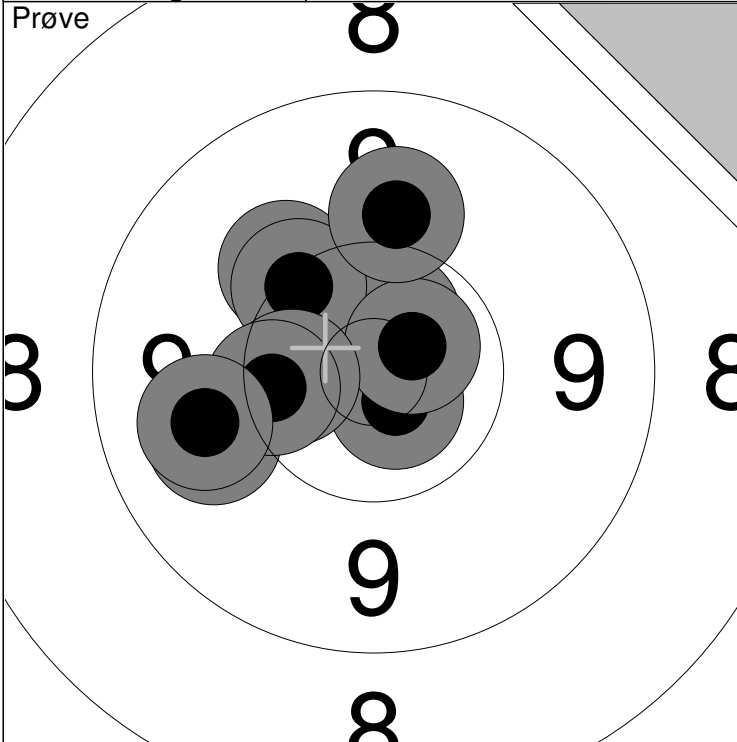
11:	9.9	→
12:	9.6	→
13:	10.4	↑
14:	*10.6	↑
15:	10.3	↑
Serie		48.0
Total		145.0

Vilsted Skf.

27. - 28. august 2011

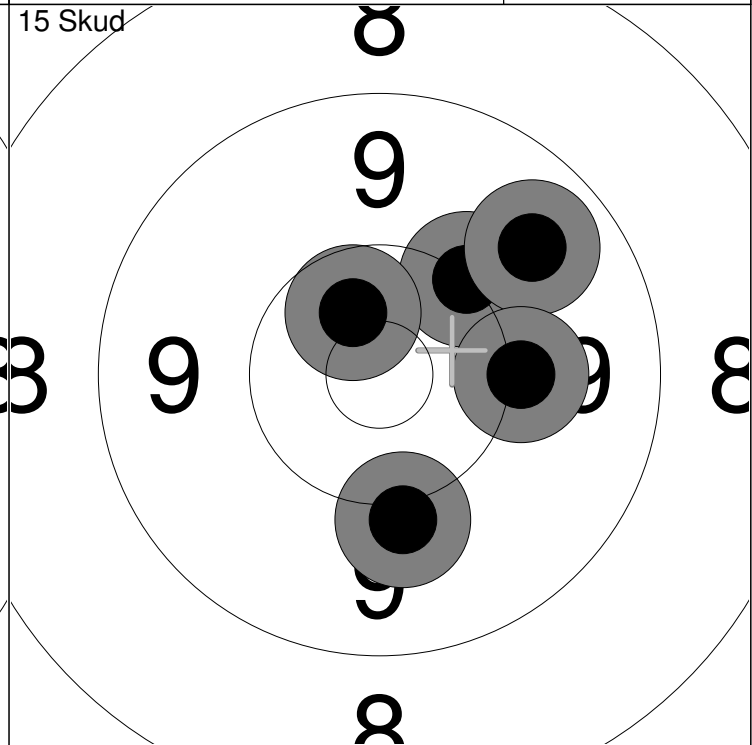
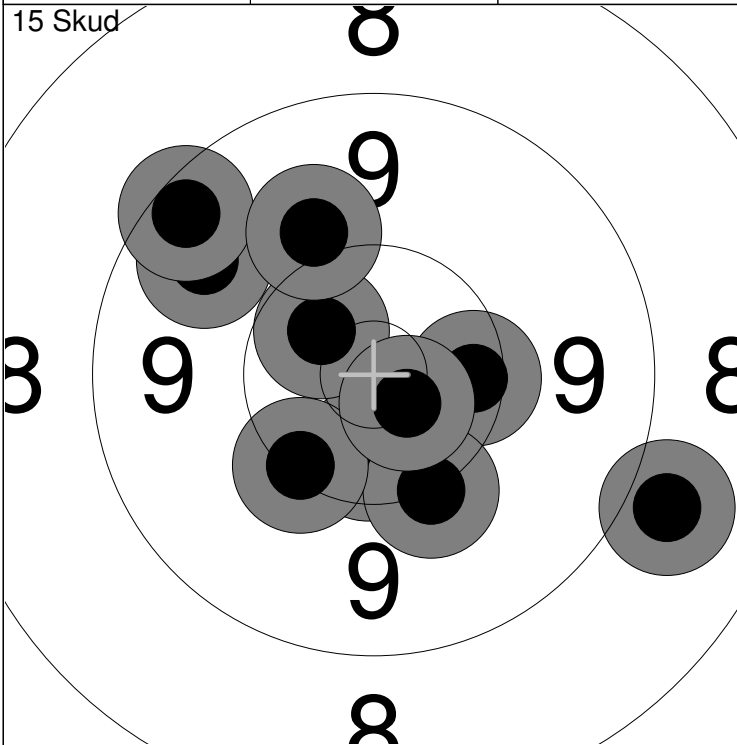
NM 2011

Aalborg Skyttekreds



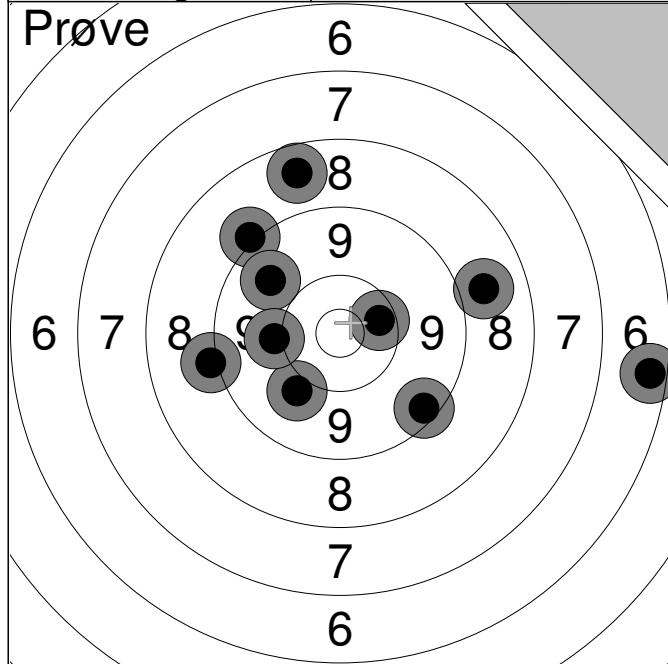
1: *10.7 ↘	6: *10.7 ↗	Serie	98.0
2: 10.1 ↗	7: *10.4 ←		
3: *10.6 ↗	8: 10.3 ←	Total	0.0
4: 9.9 ←	9: 10.0 ↑		
5: 10.3 ↗	10: 9.9 ←		

11: 9.2 ←	Serie	28.0
12: *10.7 ↘		
13: 9.9 ↘	Total	0.0



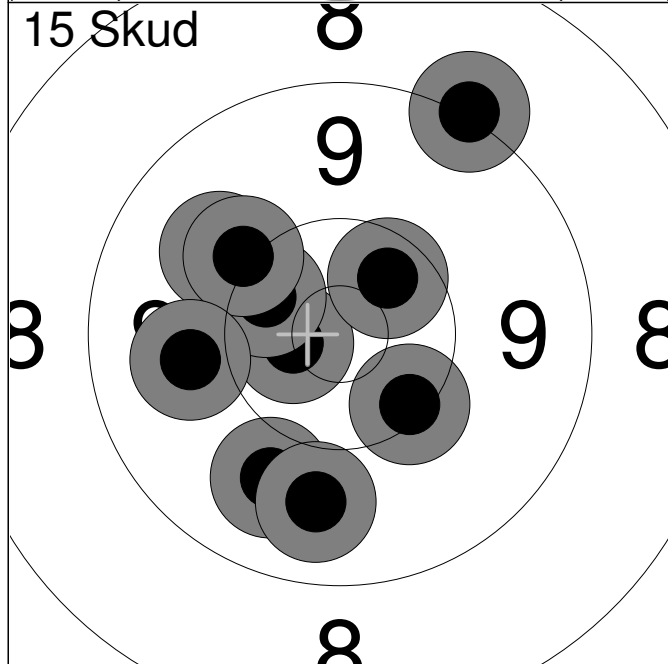
1: 10.3 →	6: *10.5 ↗	Serie	96.0
2: *10.5 ↓	7: 10.0 ↗		
3: 9.7 ↗	8: 10.2 ↘	Total	96.0
4: 10.2 ↘	9: 8.9 ↘		
5: 9.4 ↗	10: *10.7 ↘		

11: 10.1 ↓	Serie	49.0
12: 10.2 ↗		
13: *10.5 ↗	Total	145.0
14: 9.7 ↗		
15: 10.1 →		



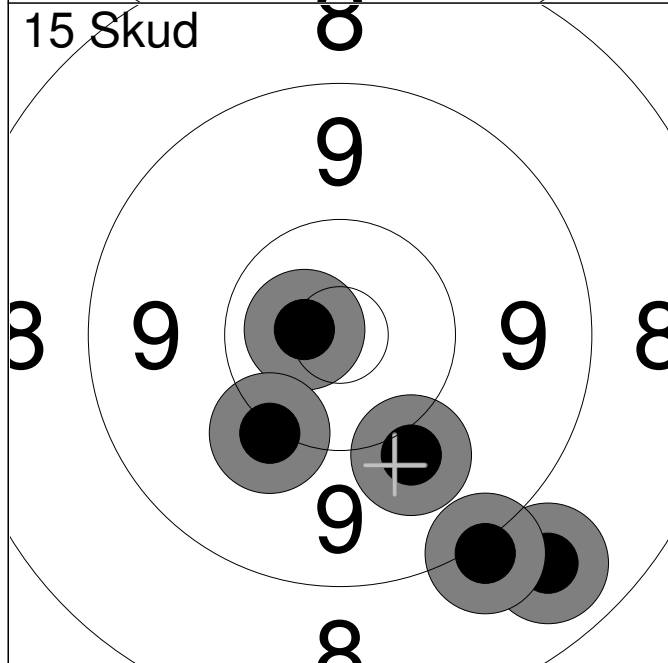
1:	9.1	↗
2:	10.0	↘
3:	9.1	←
4:	8.6	↗
5:	9.7	↗
6:	6.4	→
7:	8.8	→
8:	10.4	→
9:	9.4	↘
10:	10.1	←

Serie	88.0
Total	0.0



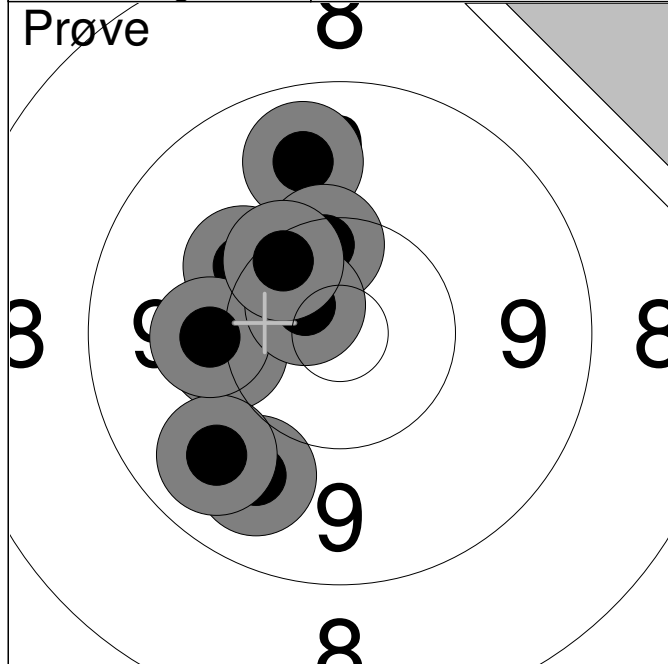
1:	9.1	↗
2:	*10.6	←
3:	10.0	↗
4:	10.4	↗
5:	10.1	↗
6:	9.9	←
7:	9.9	↘
8:	*10.5	↗
9:	9.8	↘
10:	10.3	↘

Serie	96.0
Total	96.0

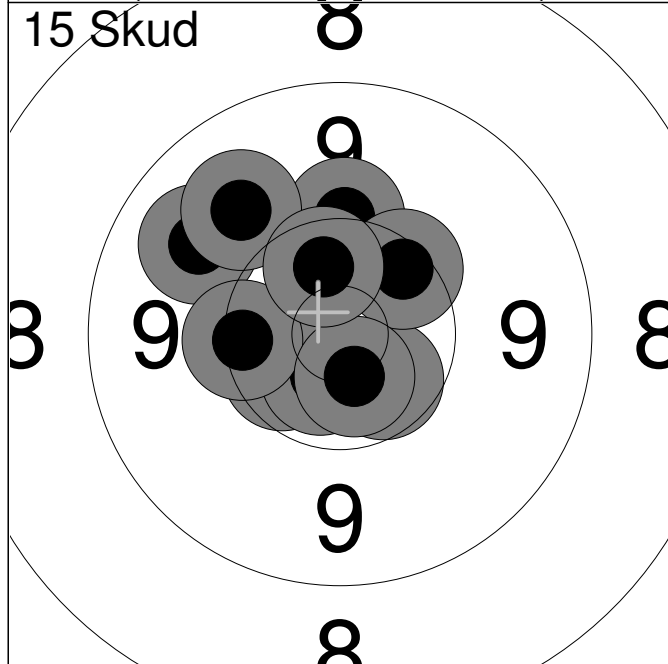


11:	*10.7	←
12:	10.1	↘
13:	8.7	↘
14:	9.1	↘
15:	10.0	↘

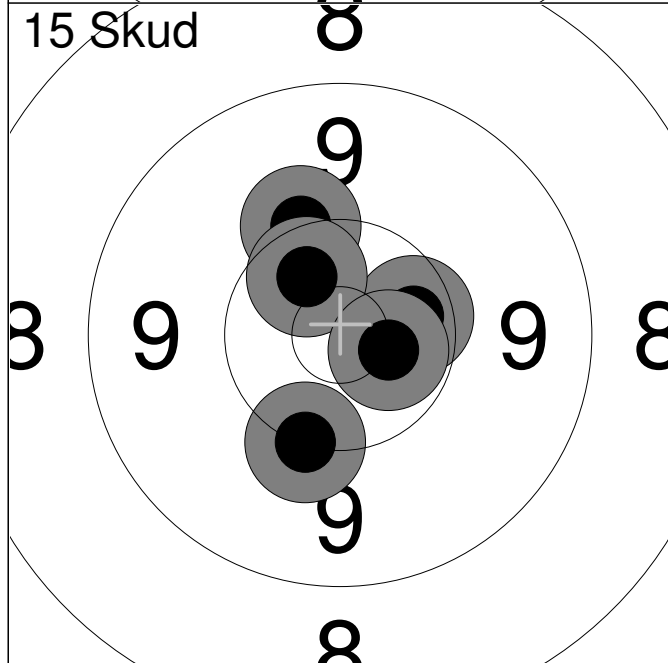
Serie	47.0
Total	143.0



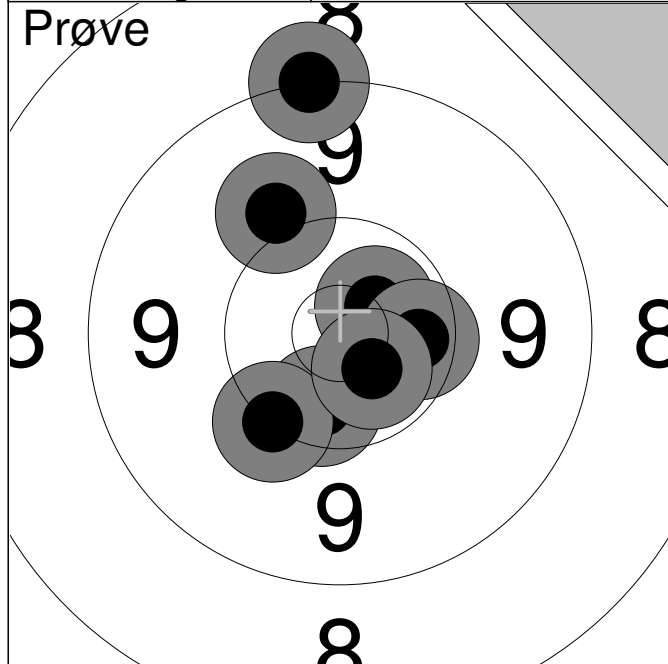
1:	9.7	↑
2:	10.2	←
3:	9.8	↙
4:	9.8	↘
5:	10.1	↗
6:	10.3	↑
7:	10.1	←
8:	*10.6	↗
9:	10.3	↗
Serie		87.0
Total		0.0



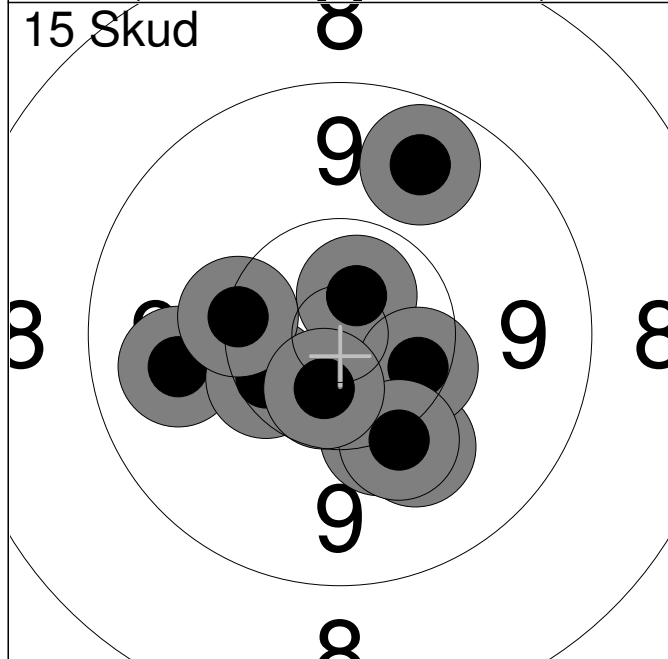
1:	*10.5	↘
2:	*10.5	↙
3:	*10.6	↘
4:	10.2	↑
5:	9.8	↗
6:	10.3	←
7:	10.3	↗
8:	9.9	↗
9:	*10.6	↘
10:	*10.5	↑
Serie		98.0
Total		98.0



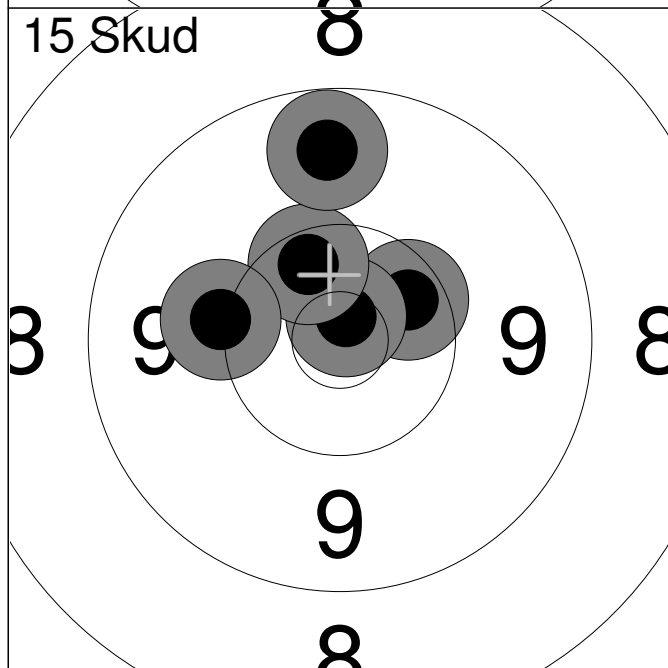
11:	*10.4	→
12:	10.2	↑
13:	*10.5	↗
14:	10.2	↘
15:	*10.6	↘
Serie		50.0
Total		148.0



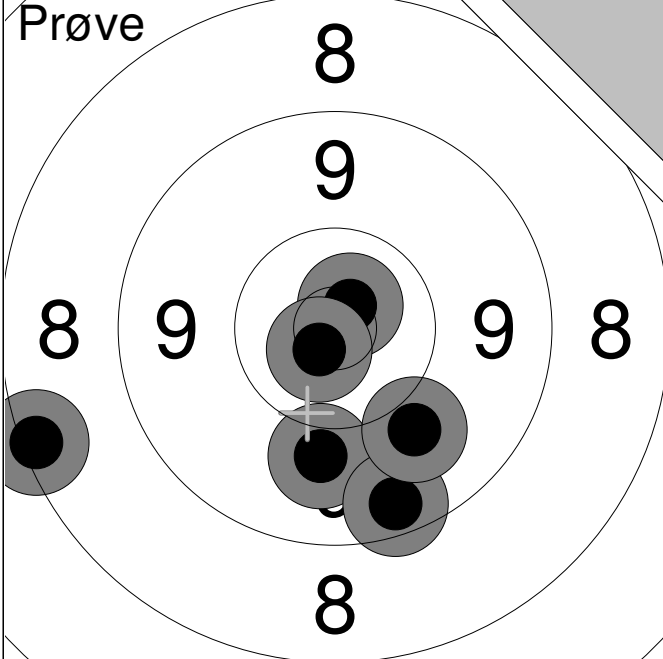
1:	*10.4	↓
2:	9.2	↑
3:	10.2	↙
4:	*10.6	↗
5:	10.0	↗
6:	10.4	→
7:	*10.6	↓
Serie		69.0
Total		0.0



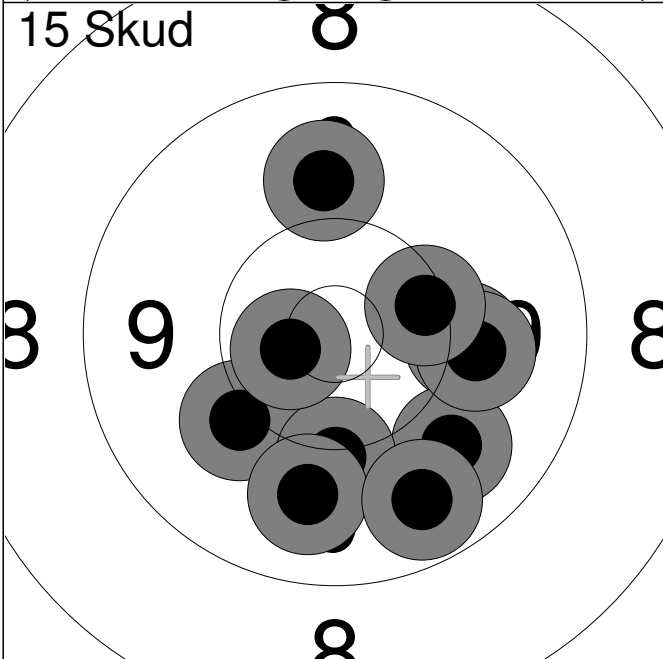
1:	9.8	←
2:	10.4	←
3:	*10.7	↗
4:	10.2	↓
5:	10.0	↓
6:	9.6	↗
7:	10.2	←
8:	10.4	↘
9:	10.1	↓
10:	*10.6	↓
Serie		98.0
Total		98.0



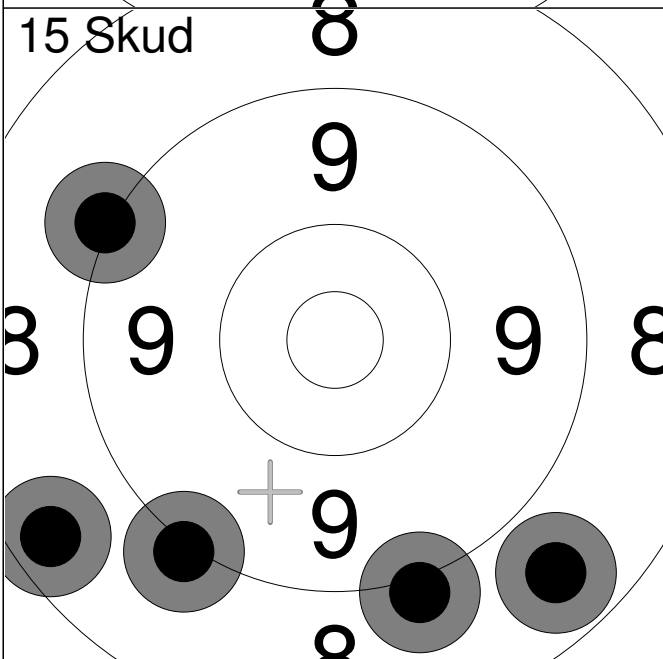
11:	10.4	↗
12:	*10.8	↗
13:	10.4	↗
14:	10.1	←
15:	9.6	↑
Serie		49.0
Total		147.0



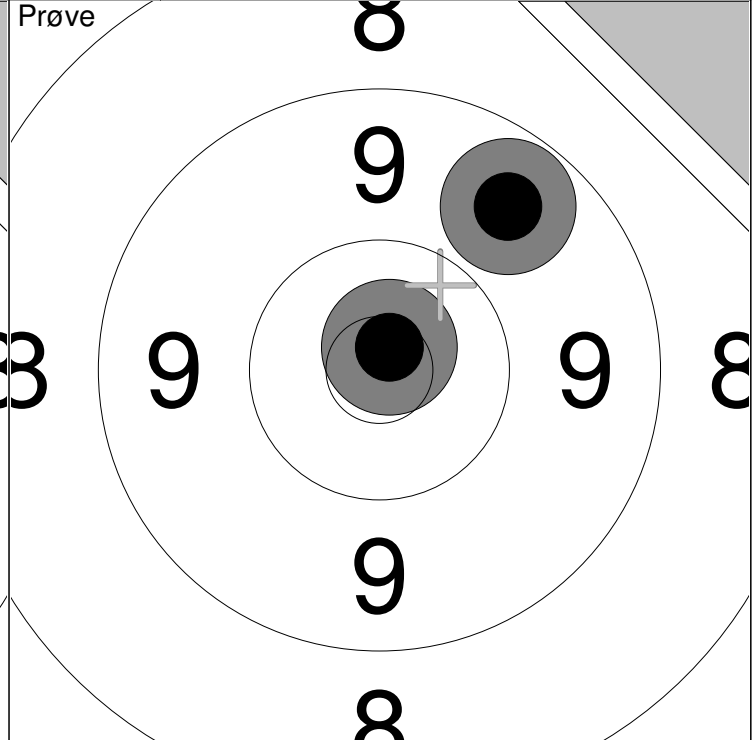
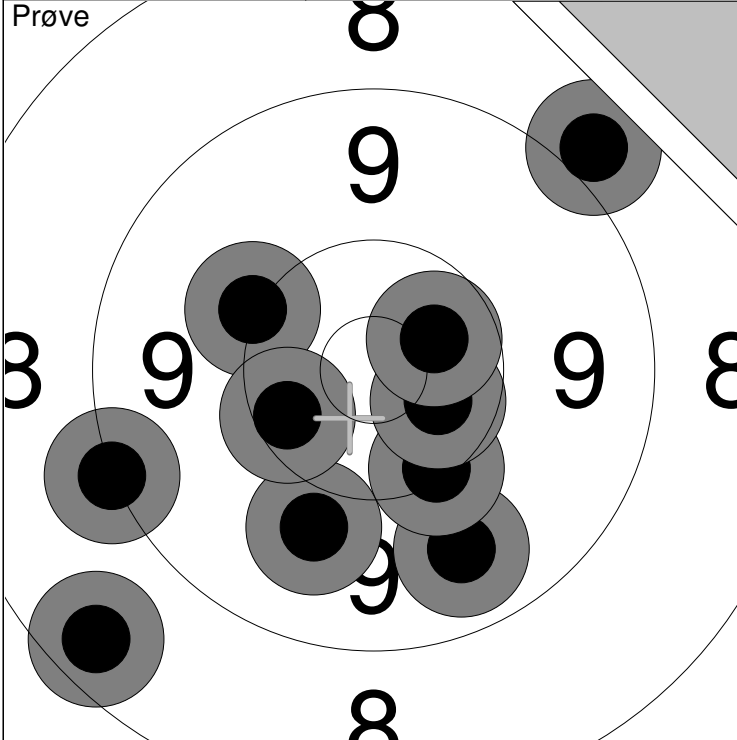
1:	*10.7	↗
2:	9.9	↓
3:	9.4	↓
4:	*10.7	↙
5:	8.3	←
6:	9.9	↘
Serie		55.0
Total		0.0



1:	10.1	↙
2:	10.1	→
3:	9.8	↘
4:	10.0	→
5:	10.3	→
6:	9.9	↑
7:	10.1	↓
8:	9.8	↓
9:	*10.6	←
10:	9.6	↘
Serie		96.0
Total		96.0

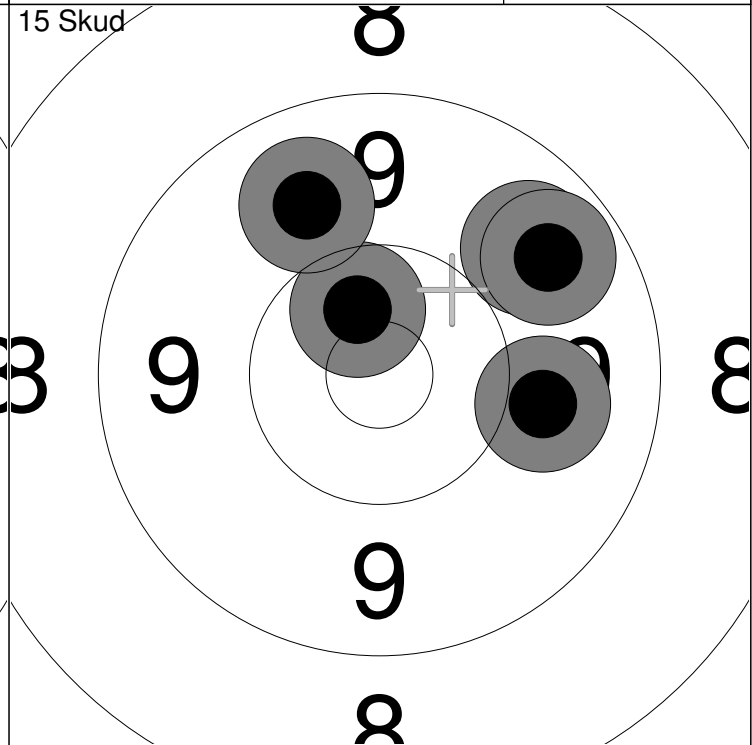
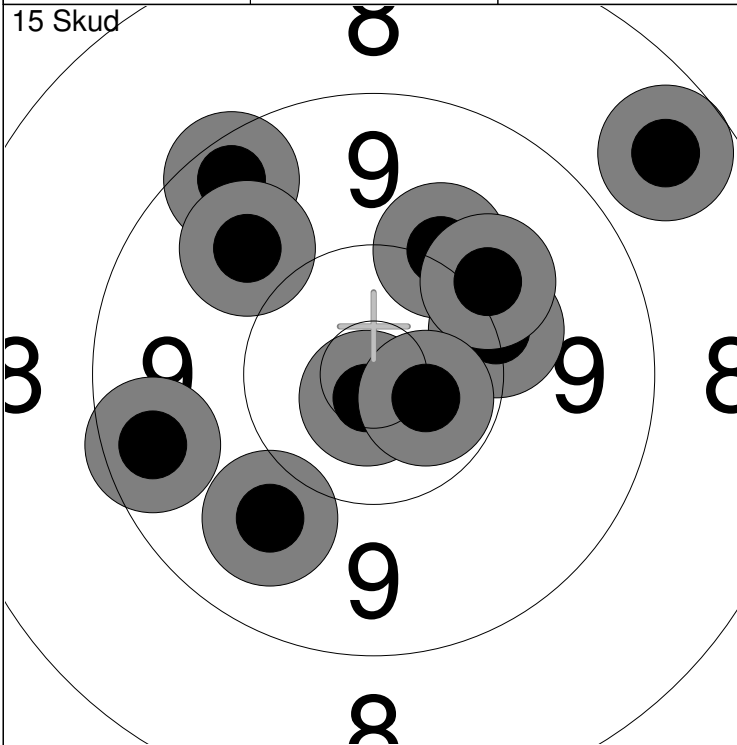


11:	8.7	↘
12:	9.1	↙
13:	8.5	←
14:	9.1	↘
15:	9.1	↗
Serie		43.0
Total		139.0



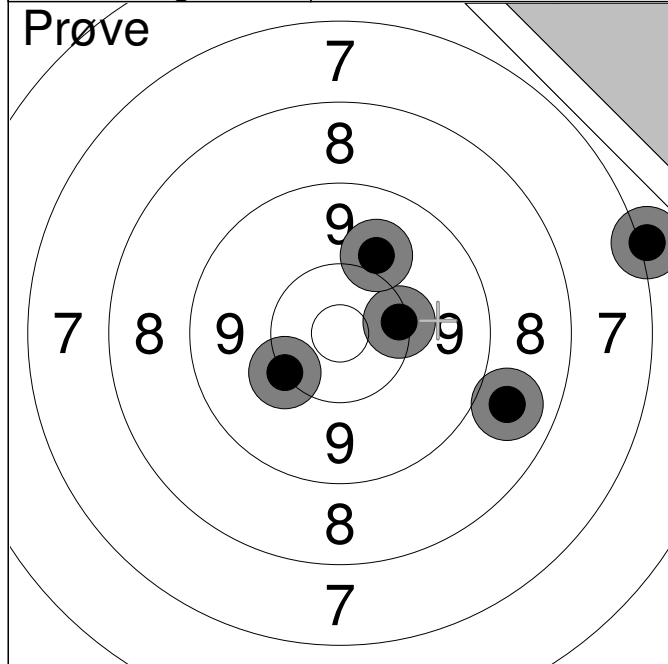
1: 9.9 ↓	6: 9.2 ←	Serie	94.0
2: 9.7 ↓	7: 10.1 ↖		Total
3: 8.5 ↙	8: 9.0 ↗		
4: 10.2 ↓	9: 10.4 ←		
5: *10.5 ↘	10: *10.5 ↗		

11: 9.7 ↗	Serie	19.0
12: *10.8 ↗		Total

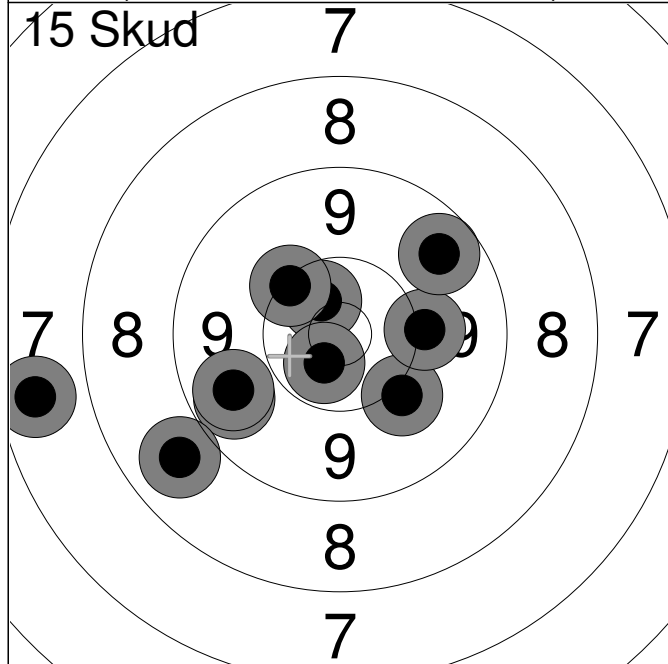


1: 10.1 ↗	6: 8.6 ↗	Serie	94.0
2: 9.9 ↓	7: 9.4 ↗		Total
3: 9.5 ←	8: *10.8 ↓		
4: 10.2 →	9: 9.9 ↗		
5: 10.1 ↗	10: *10.6 ↘		

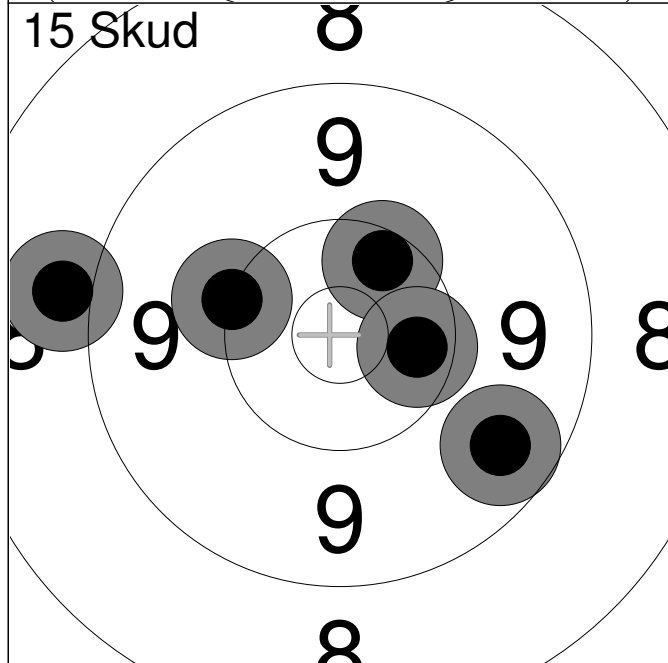
11: *10.5 ↗	Serie	46.0
12: 9.7 ↗		Total
13: 9.9 →		
14: 9.8 ↗		
15: 9.7 ↗		



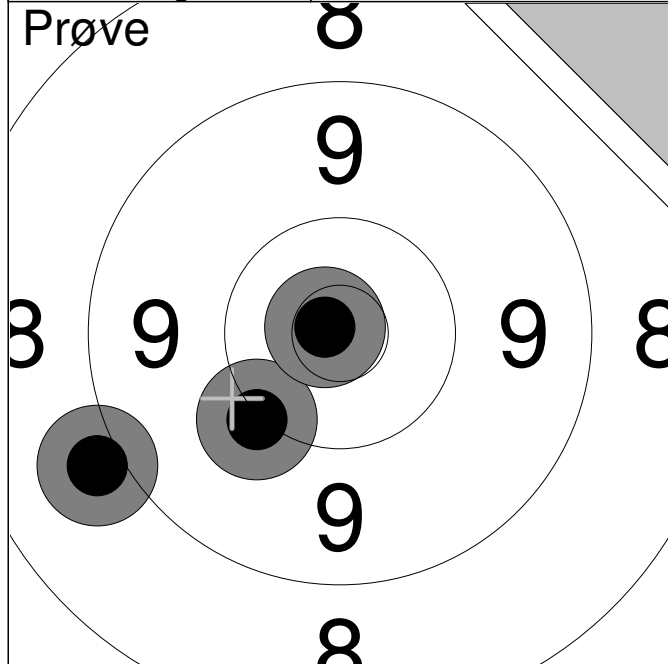
1:	7.1	→
2:	10.3	→
3:	10.2	↙
4:	10.0	↑
5:	8.8	↘
Serie		45.0
Total		0.0



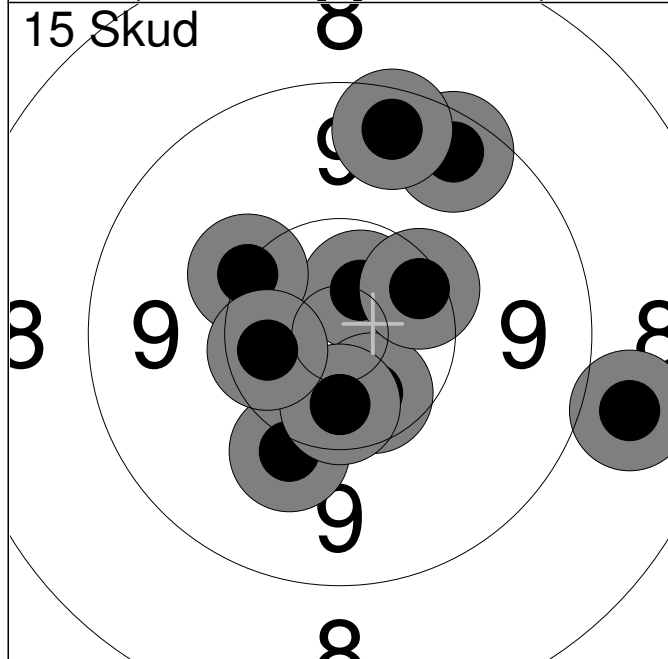
1:	*10.6	↑
2:	7.6	←
3:	10.1	↘
4:	10.2	↑
5:	9.7	↙
6:	10.1	→
7:	9.7	←
8:	*10.6	↘
9:	9.6	↑
10:	8.8	↙
Serie		92.0
Total		92.0



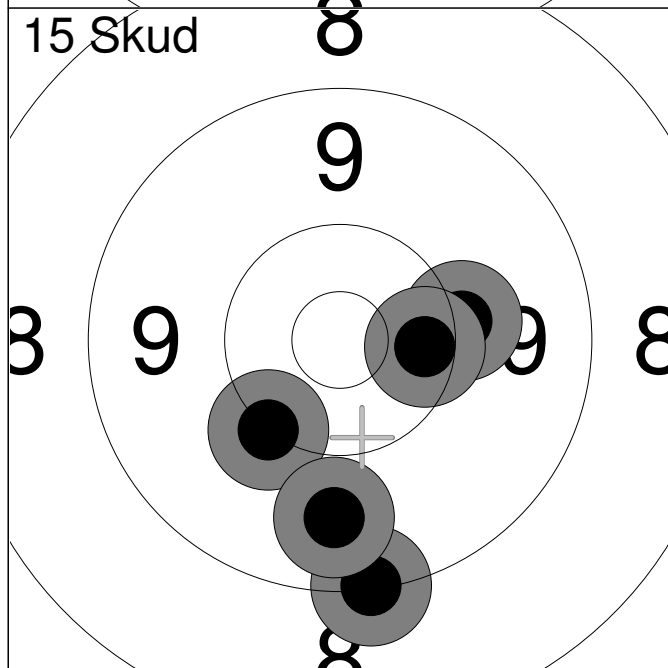
11:	10.4	↑
12:	9.6	↘
13:	*10.4	→
14:	9.0	←
15:	10.2	←
Serie		48.0
Total		140.0



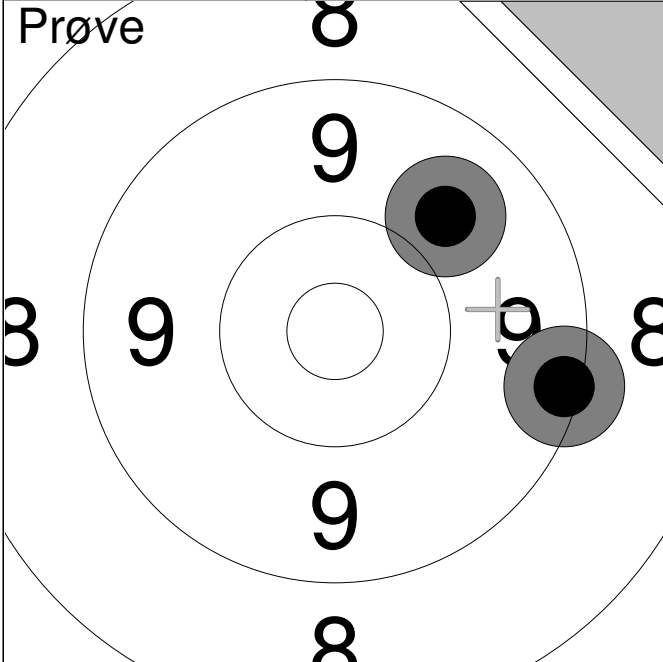
	1:	9.0	↙
	2:	10.1	↙
	3:	*10.8	↙
Serie			29.0
Total			0.0



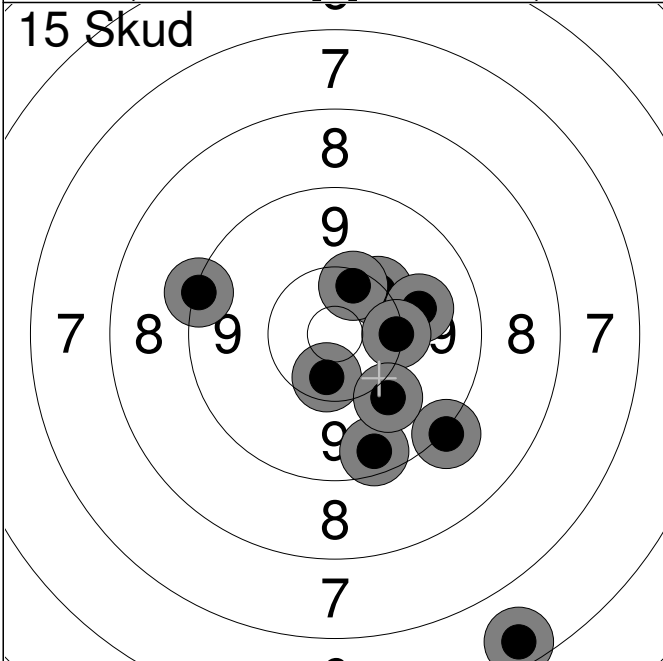
	1:	*10.6	↗
	2:	10.2	↗
	3:	*10.5	↘
	4:	10.1	↘
	5:	*10.5	↘
	6:	10.3	↗
	7:	*10.4	↙
	8:	9.4	↗
	9:	9.5	↗
	10:	8.8	→
Serie			96.0
Total			96.0



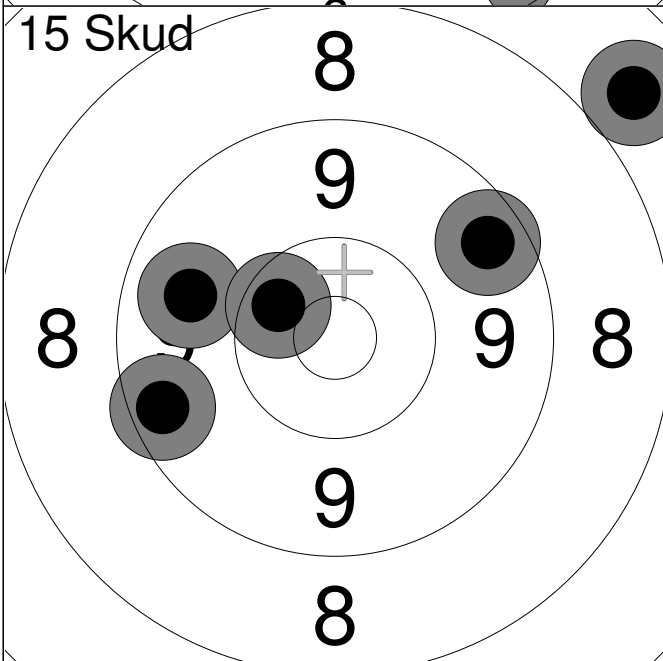
	11:	10.2	↙
	12:	9.2	↘
	13:	9.7	↘
	14:	10.1	→
	15:	10.4	→
Serie			48.0
Total			144.0



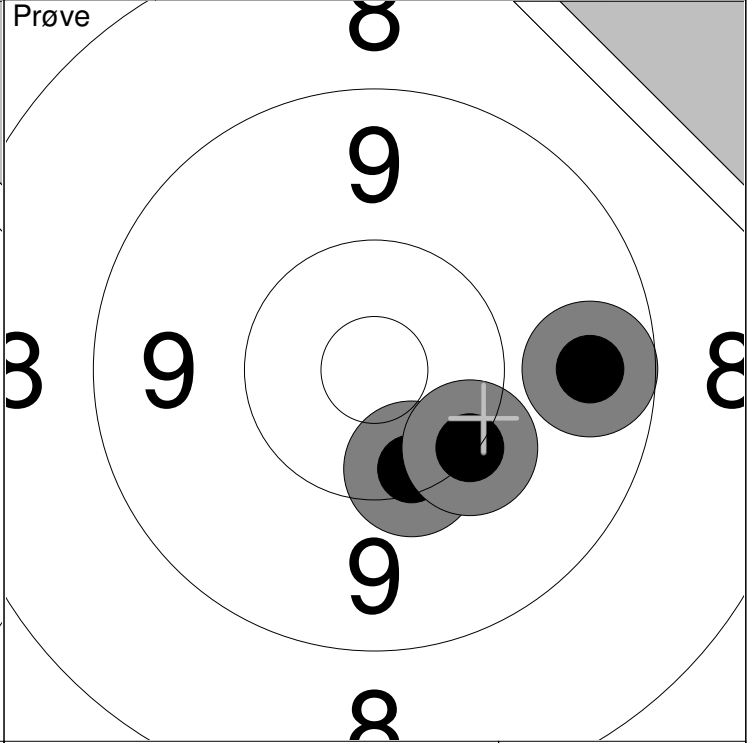
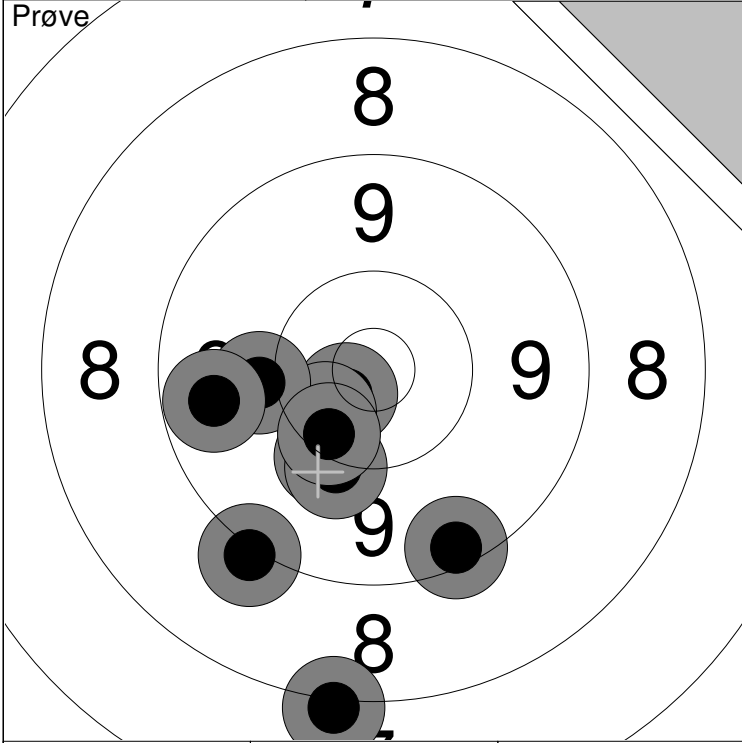
	1:	9.9	↗
	2:	9.3	→
<hr/>			
Serie			18.0
Total			0.0



	1:	10.2	↗
	2:	9.9	→
	3:	9.1	↘
	4:	10.3	↗
	5:	*10.4	↘
	6:	9.5	↘
	7:	10.2	→
	8:	9.2	↖
	9:	6.5	↘
	10:	10.0	↘
<hr/>			
Serie			92.0
Total			92.0

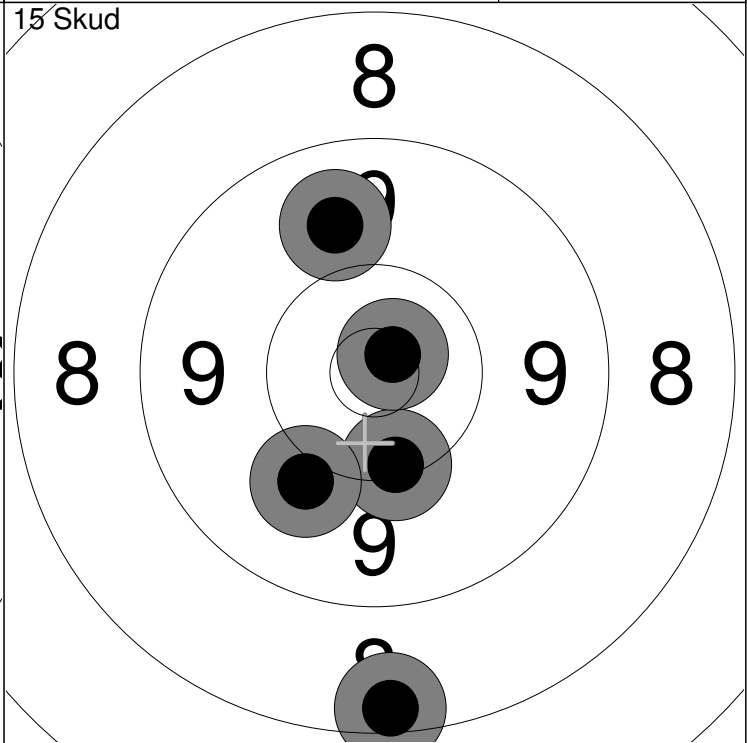
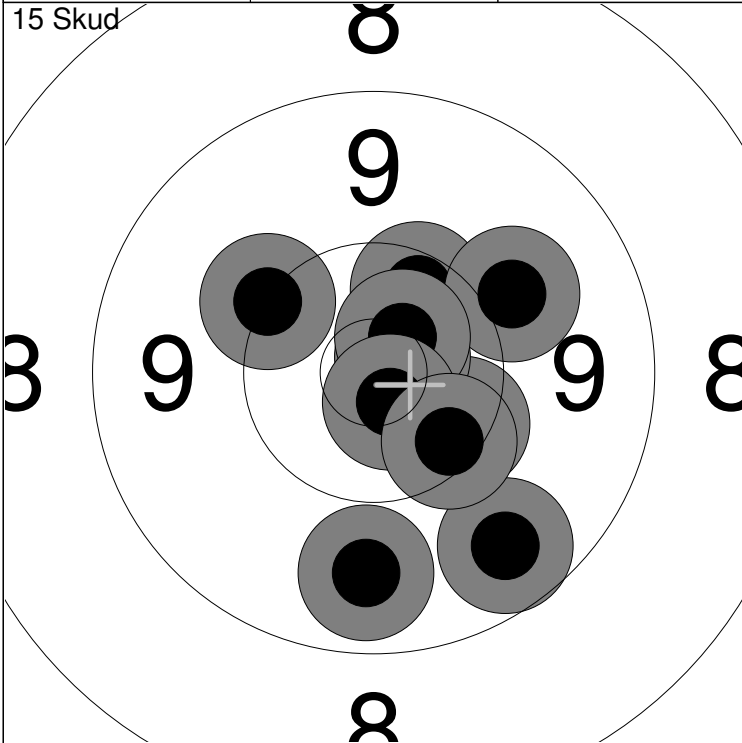


	11:	9.8	↖
	12:	9.5	↗
	13:	9.5	↖
	14:	7.8	↗
	15:	*10.4	↖
<hr/>			
Serie			44.0
Total			136.0



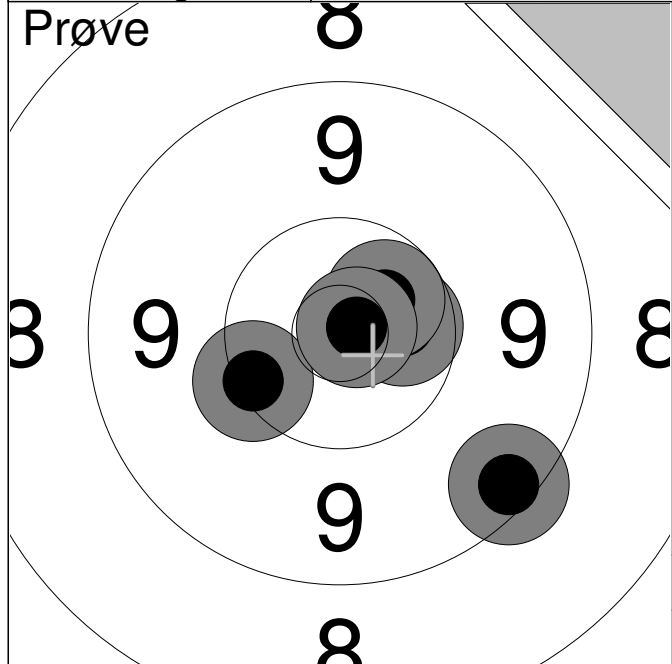
1: 8.1 ↓	6: 10.0 ←	Serie	95.0
2: 10.2 ↘	7: 10.1 ↓		
3: *10.7 ↙	8: 9.1 ↓	Total	0.0
4: 9.3 ↓	9: 10.3 ↓		
5: *10.4 ↙	10: 9.6 ←		

11: 10.3 ↓	Serie	29.0
12: 10.2 ↓		
13: 9.6 →	Total	0.0

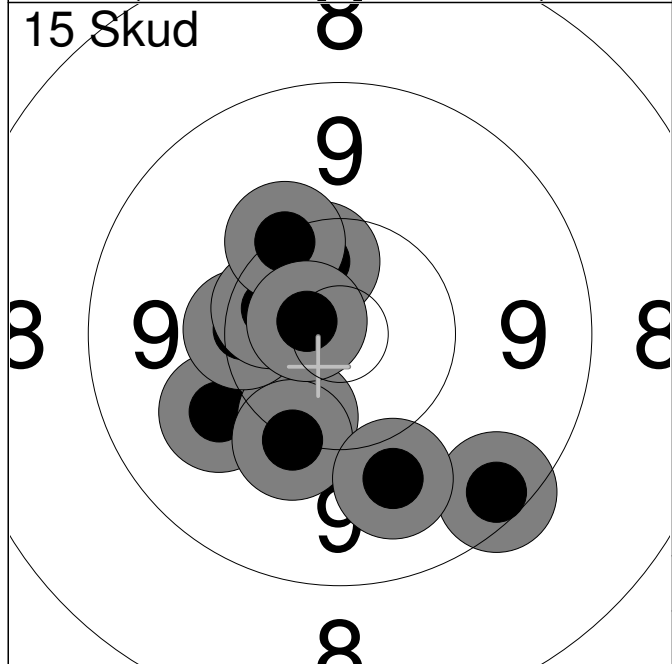


1: 10.3 →	6: *10.7 ↗	Serie	98.0
2: *10.8 ↗	7: 9.7 ↓		
3: 9.6 ↓	8: *10.7 ↓	Total	98.0
4: 10.4 ↗	9: 10.3 ↓		
5: 10.0 ↗	10: 10.2 ↗		

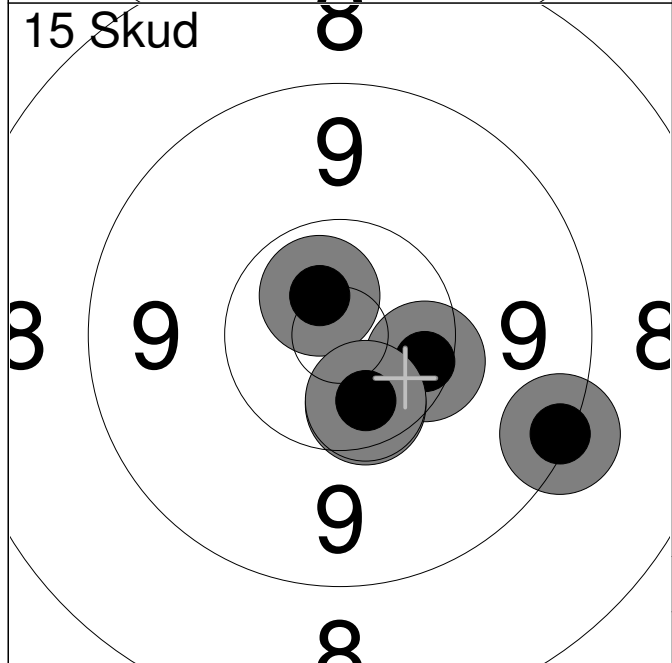
11: 10.3 ↓	Serie	47.0
12: *10.8 ↗		
13: 9.8 ↗	Total	145.0
14: 10.0 ↓		
15: 8.4 ↓		



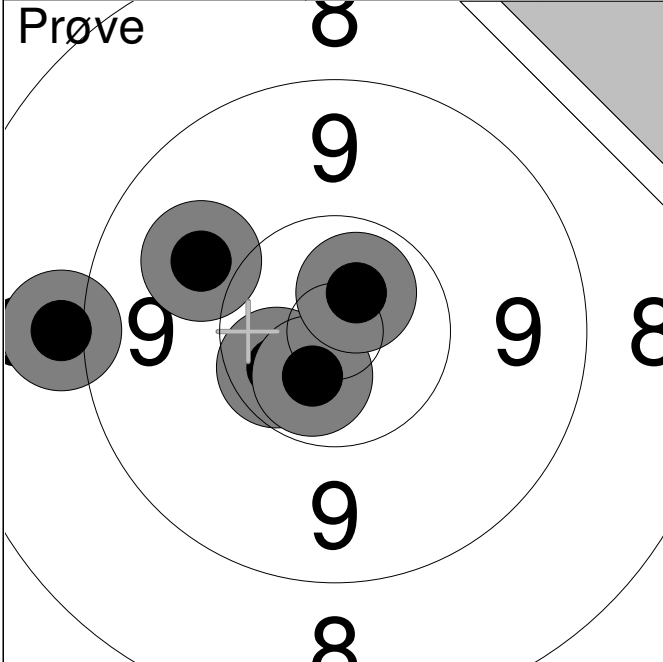
	1:	*10.5	→
	2:	10.3	↙
	3:	*10.6	↗
	4:	*10.8	→
	5:	9.4	↘
Serie			49.0
Total			0.0



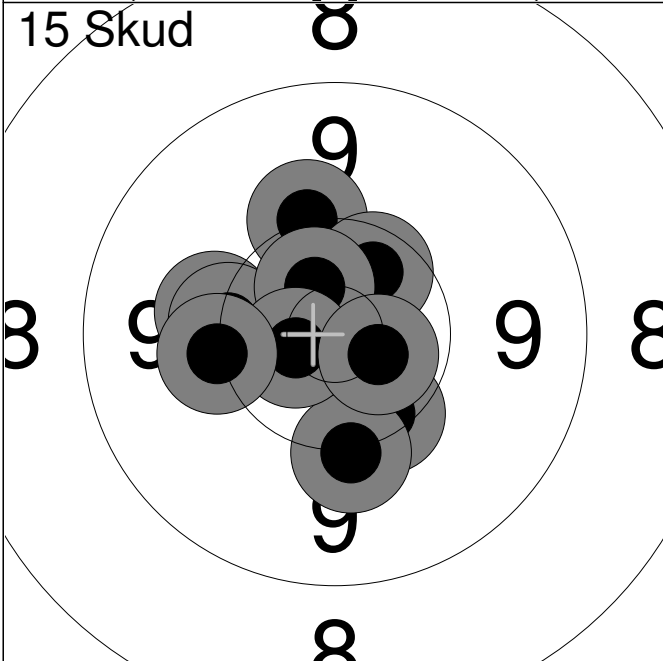
	1:	10.0	↙
	2:	9.4	↘
	3:	10.3	↙
	4:	10.2	↙
	5:	9.9	↘
	6:	10.3	↖
	7:	*10.4	↗
	8:	*10.4	↗
	9:	10.2	↗
	10:	*10.7	↗
Serie			98.0
Total			98.0



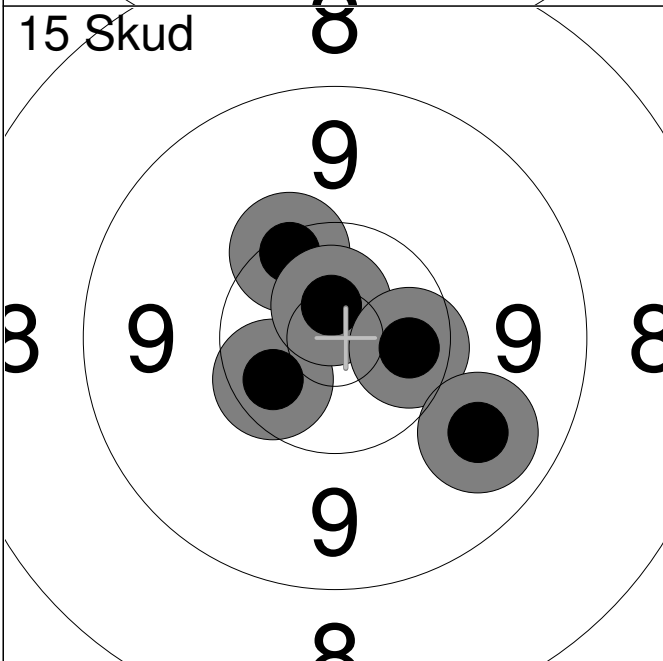
	11:	9.2	↘
	12:	*10.6	↗
	13:	10.3	↘
	14:	*10.4	↙
	15:	*10.5	↙
Serie			49.0
Total			147.0



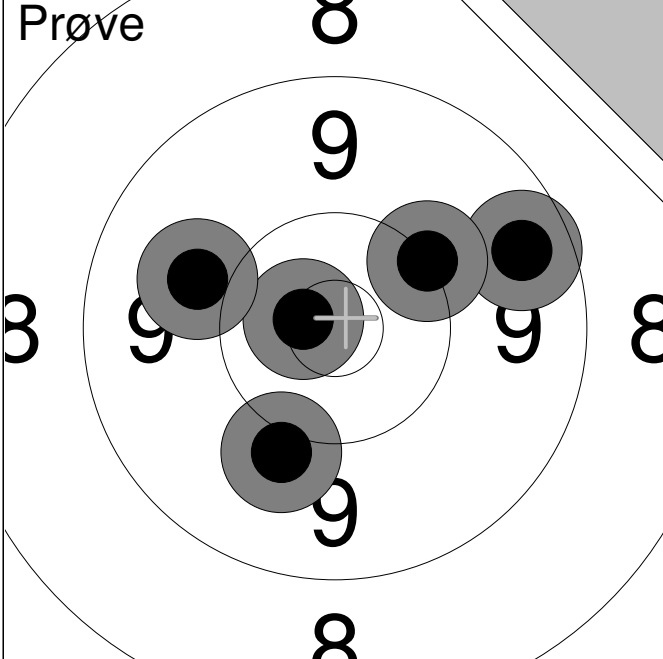
1:	*10.5	↙
2:	9.9	↖
3:	9.0	←
4:	*10.6	↘
5:	*10.6	↗
Serie		48.0
Total		0.0



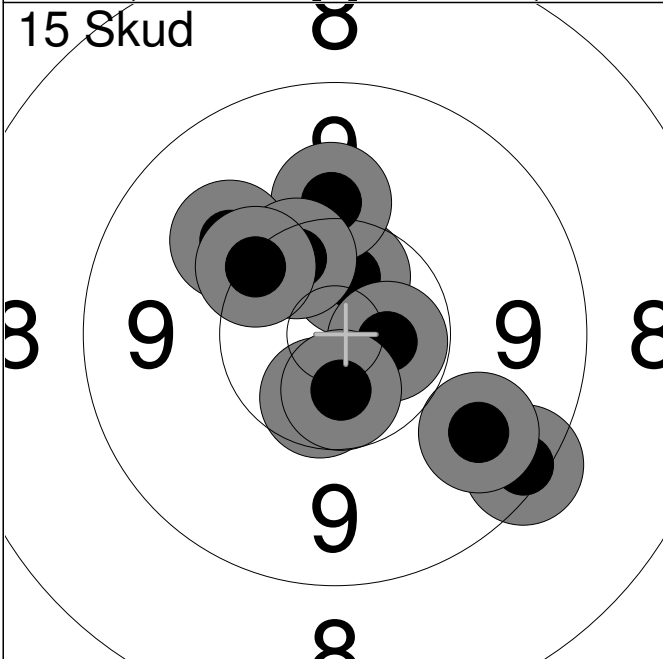
1:	10.1	←
2:	10.2	←
3:	10.1	↗
4:	10.3	↘
5:	*10.5	↗
6:	*10.6	↗
7:	10.1	↘
8:	*10.7	←
9:	10.1	←
10:	*10.6	↘
Serie		100.0
Total		100.0



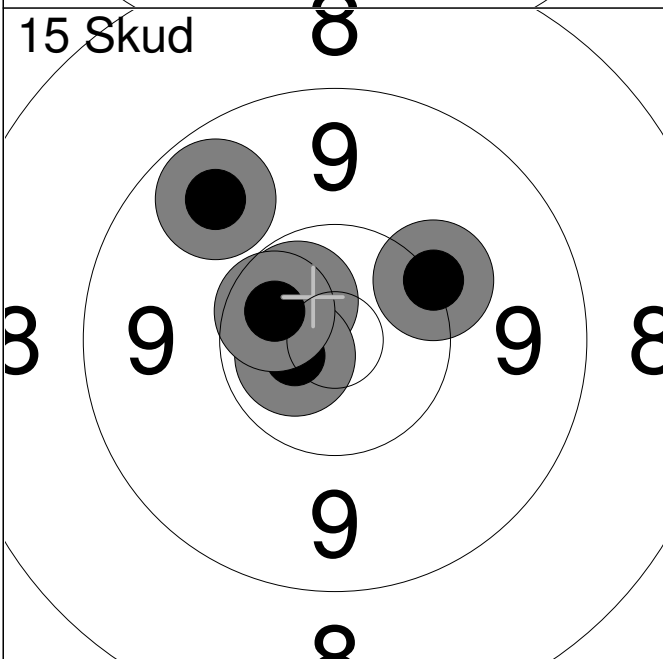
11:	10.3	↗
12:	*10.4	↙
13:	*10.7	↗
14:	*10.4	→
15:	9.8	↘
Serie		49.0
Total		149.0



1:	9.5	→
2:	*10.7	←
3:	9.9	←
4:	10.0	↓
5:	10.2	↗
Serie		48.0
Total		0.0



1:	9.3	↘
2:	*10.5	↑
3:	*10.6	→
4:	10.1	↑
5:	9.7	↘
6:	*10.5	↓
7:	10.0	↗
8:	10.4	↗
9:	*10.6	↓
10:	10.2	↗
Serie		98.0
Total		98.0



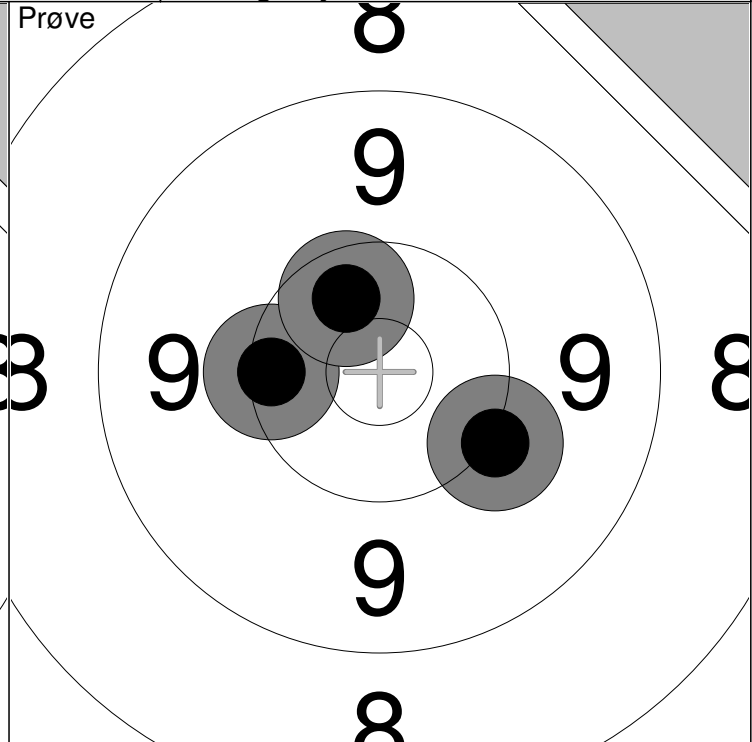
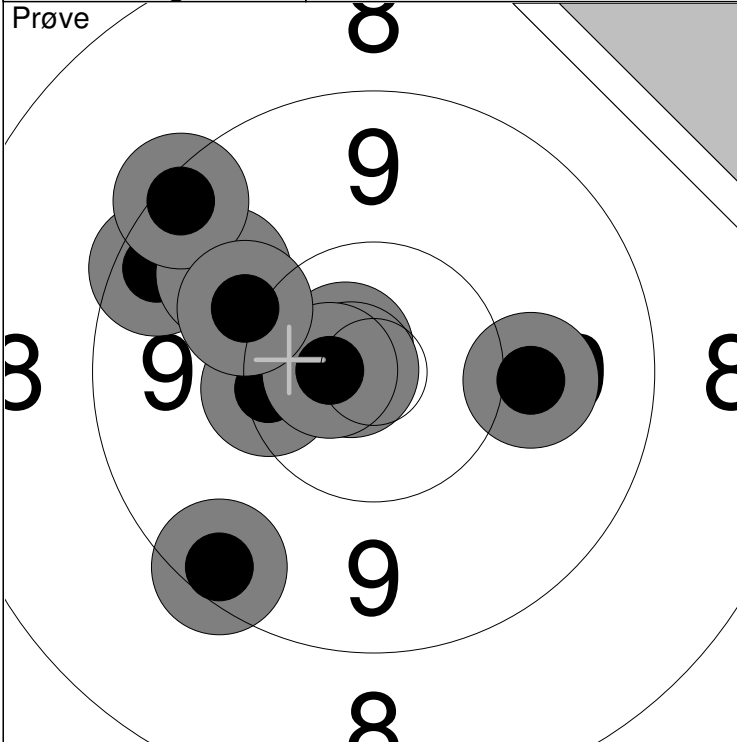
11:	9.7	↗
12:	*10.6	↗
13:	10.2	↗
14:	*10.7	←
15:	*10.5	↗
Serie		49.0
Total		147.0

Vilsted Skf.

27. - 28. august 2011

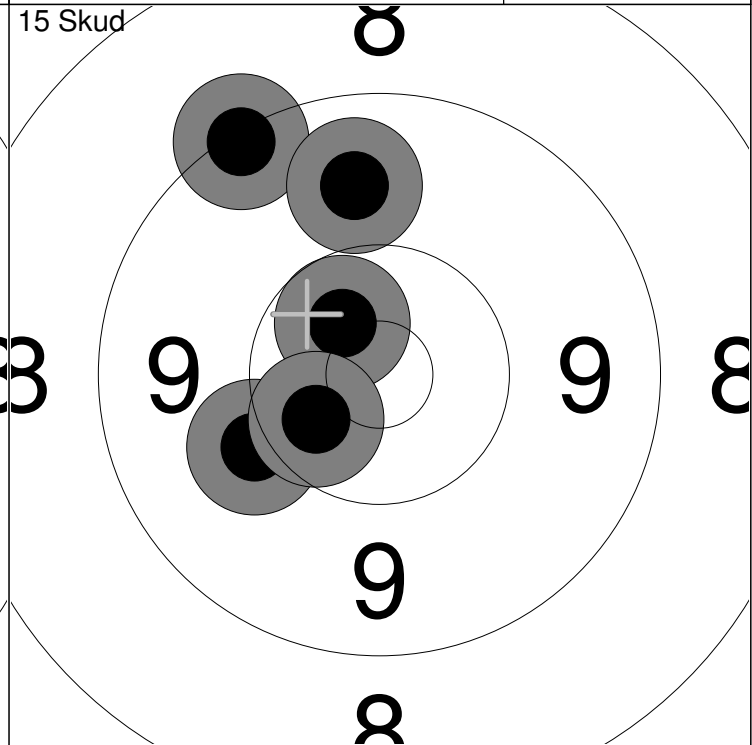
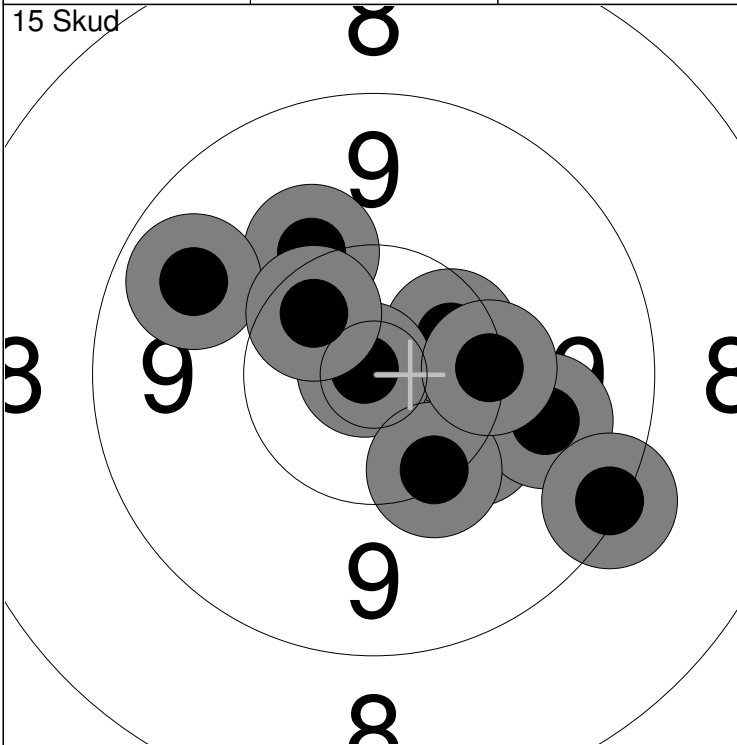
NM 2011

Aalborg Skyttekreds



1: 9.4 ↙	6: 9.8 ↗	Serie	96.0
2: *10.7 ↗	7: 9.3 ↗		
3: 9.4 ↗	8: *10.8 ←	Total	0.0
4: 10.0 →	9: *10.7 ←		
5: 10.3 ←	10: 10.1 ↗		

11: 10.1 ↘	Serie	30.0
12: 10.3 ←		
13: *10.5 ↗	Total	0.0



1: 10.1 ↗	6: 9.9 ↘	Serie	97.0
2: 9.7 ↗	7: 9.3 ↘		
3: 10.2 ↘	8: 10.3 ↘	Total	97.0
4: *10.4 ↗	9: *10.4 ↗		
5: *10.9 ↖	10: 10.2 →		

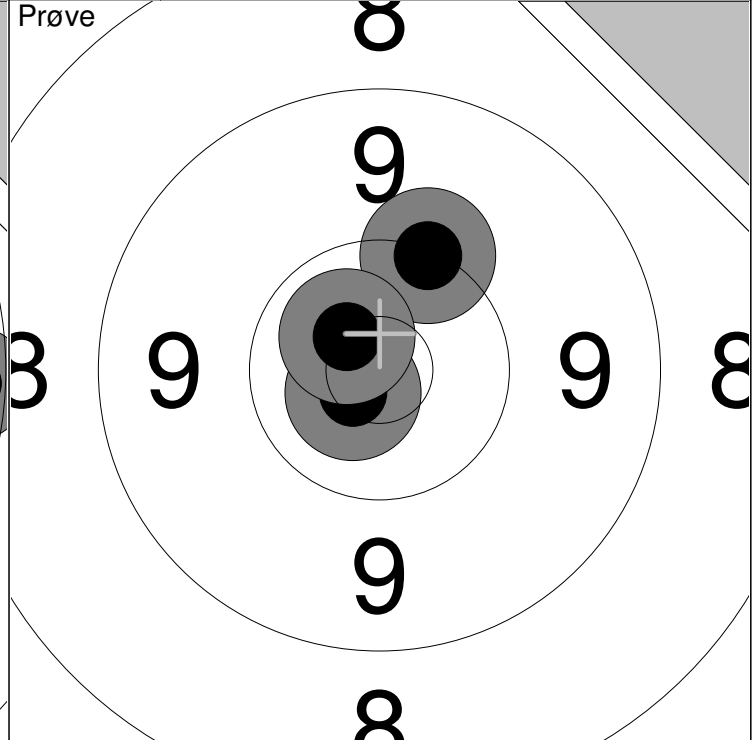
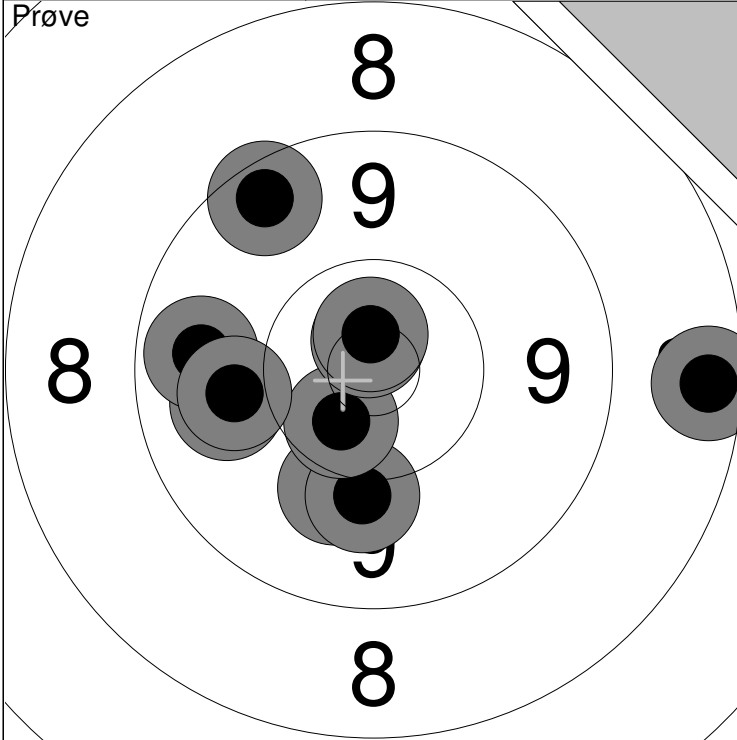
11: 9.2 ↖	Serie	48.0
12: 10.1 ↖		
13: *10.6 ↖	Total	145.0
14: *10.5 ↖		
15: 9.8 ↗		

Vilsted Skf.

27. - 28. august 2011

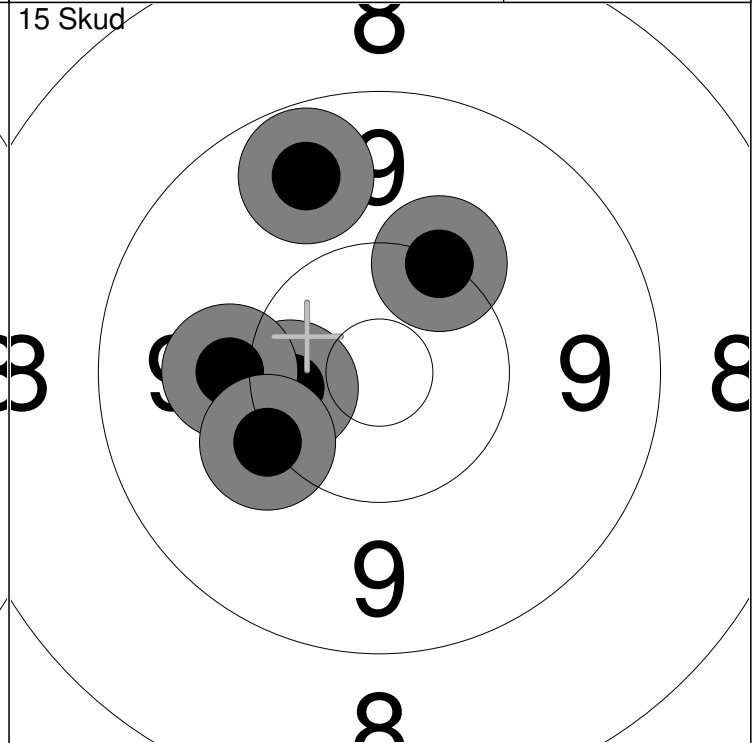
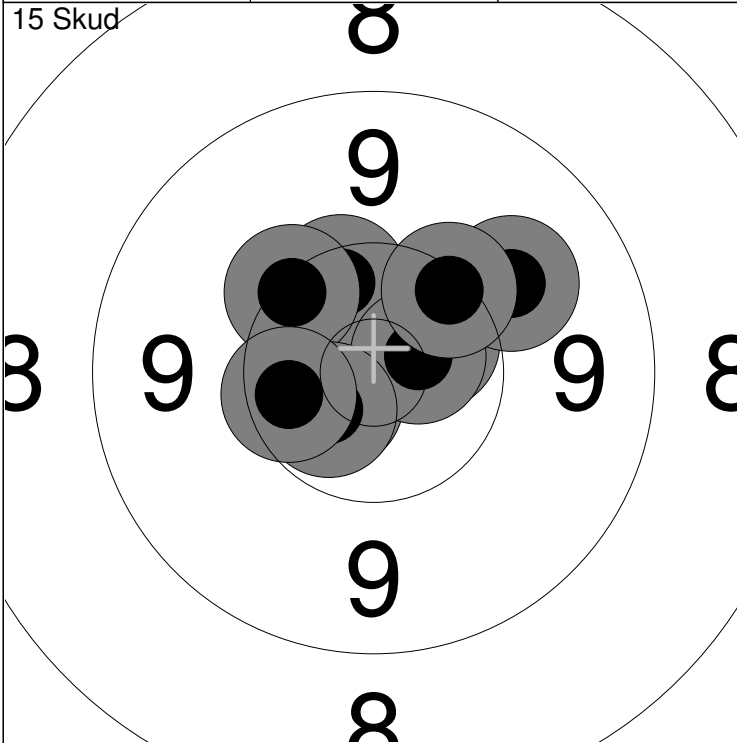
NM 2011

Aalborg Skyttekreds



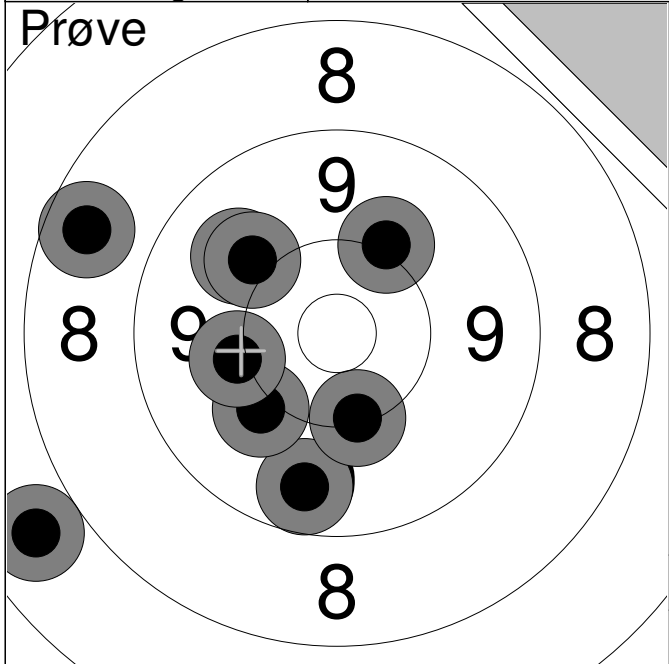
1: 8.4 →	6: 9.7 ←	Serie	94.0
2: 10.1 ↓	7: 9.9 ←		
3: 10.0 ↓	8: *10.7 ↑	Total	0.0
4: *10.5 ↓	9: 9.5 ↗		
5: 9.9 ←	10: *10.7 ↑		

11: 10.2 ↗	Serie	30.0
12: *10.7 ↙		
13: *10.7 ↖	Total	0.0

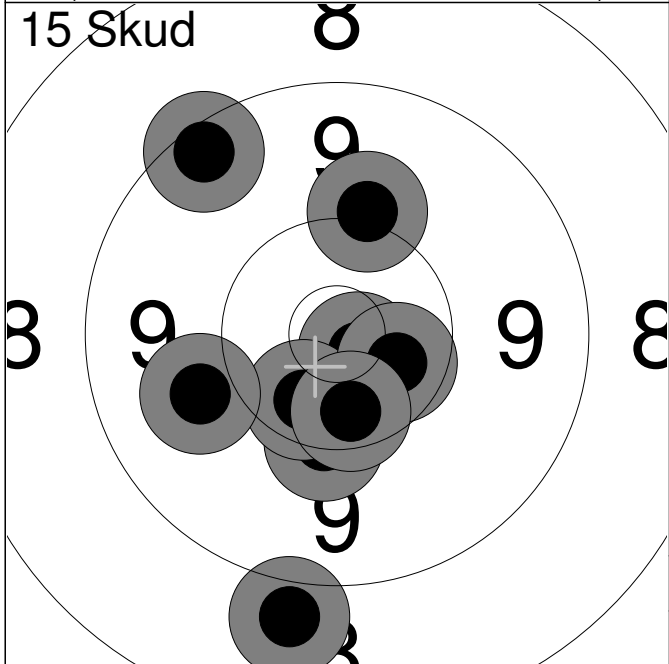


1: *10.5 ↗	6: *10.7 ↗	Serie	99.0
2: *10.6 ↖	7: *10.6 ↙		
3: *10.7 ↙	8: 9.9 ↗	Total	99.0
4: 10.4 ↗	9: 10.3 ↗		
5: 10.3 ↖	10: *10.4 ←		

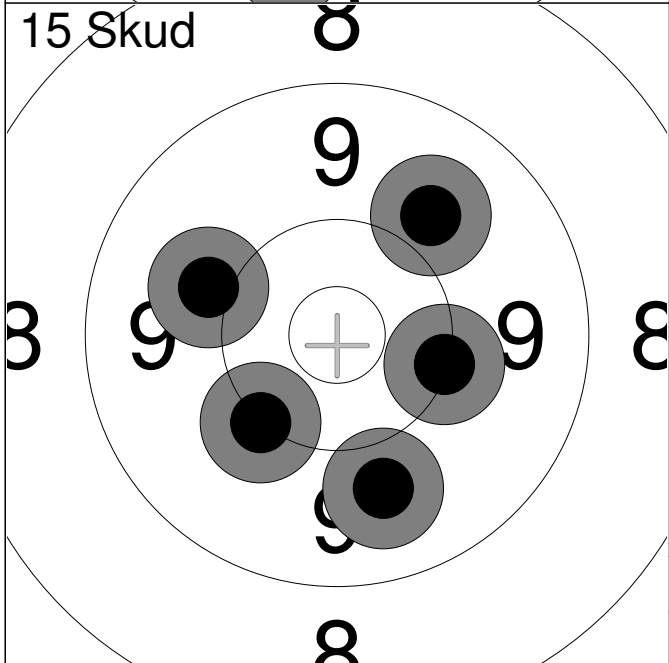
11: 10.4 ←	Serie	49.0
12: 10.0 ←		
13: 10.2 ↗	Total	148.0
14: 10.1 ↙		
15: 9.6 ↖		



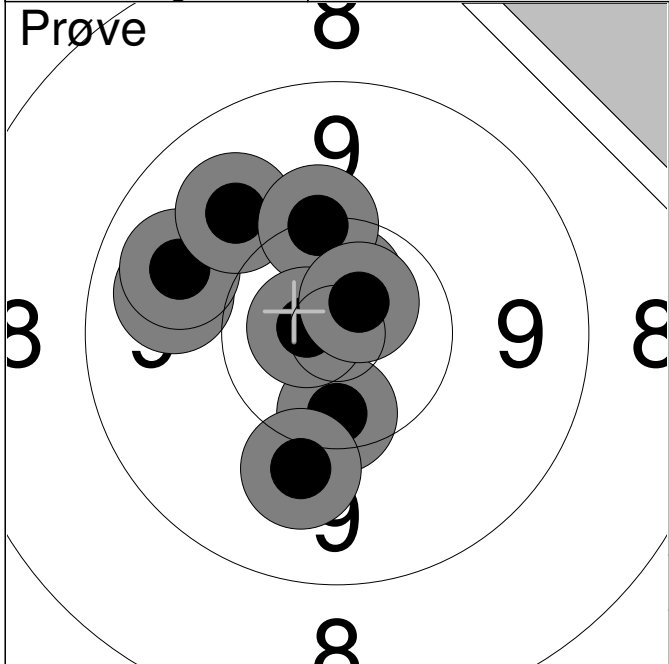
1:	7.7	↙
2:	9.9	↗
3:	8.6	↗
4:	10.0	↗
5:	10.1	↗
6:	9.6	↘
7:	10.0	↙
8:	10.2	↘
9:	10.1	↙
Serie		83.0
Total		0.0



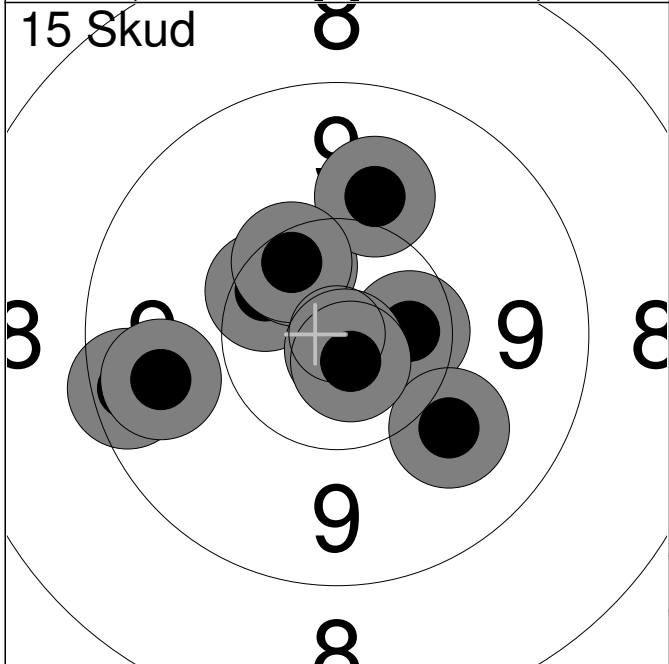
1:	9.4	↗
2:	*10.7	↘
3:	8.9	↘
4:	10.2	↘
5:	10.1	↗
6:	*10.8	↘
7:	*10.4	↙
8:	9.9	↙
9:	*10.5	↘
10:	*10.4	↘
Serie		96.0
Total		96.0



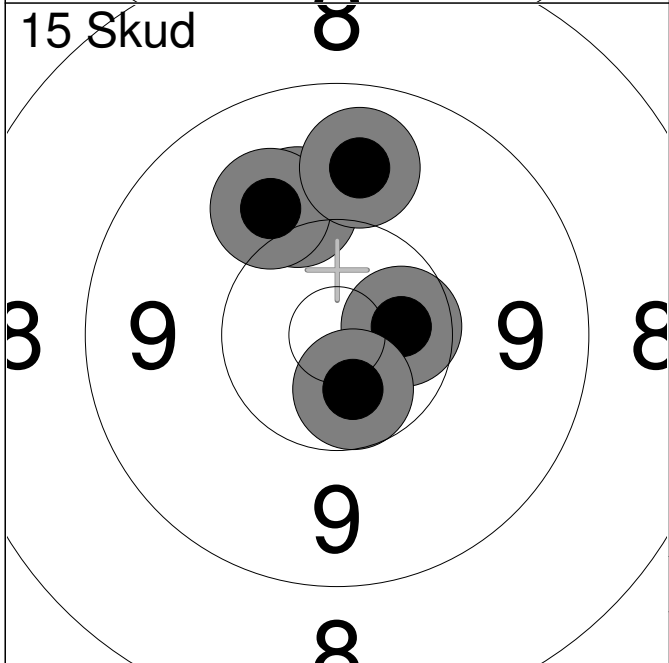
11:	10.0	↙
12:	9.8	↘
13:	9.9	↗
14:	10.2	↘
15:	10.2	↙
Serie		48.0
Total		144.0



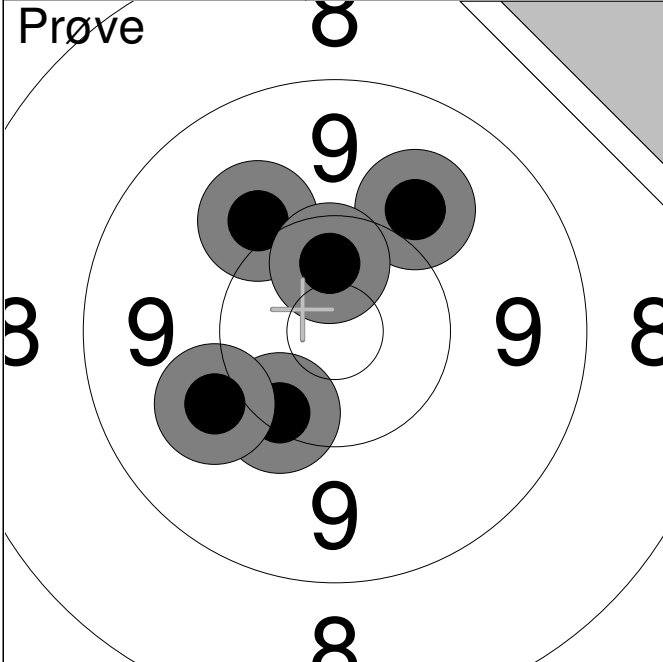
1:	10.4	↓
2:	9.8	←
3:	9.8	↖
4:	*10.6	↗
5:	9.9	↖
6:	10.2	↑
7:	*10.7	←
8:	10.0	↓
9:	*10.7	↗
Serie		87.0
Total		0.0



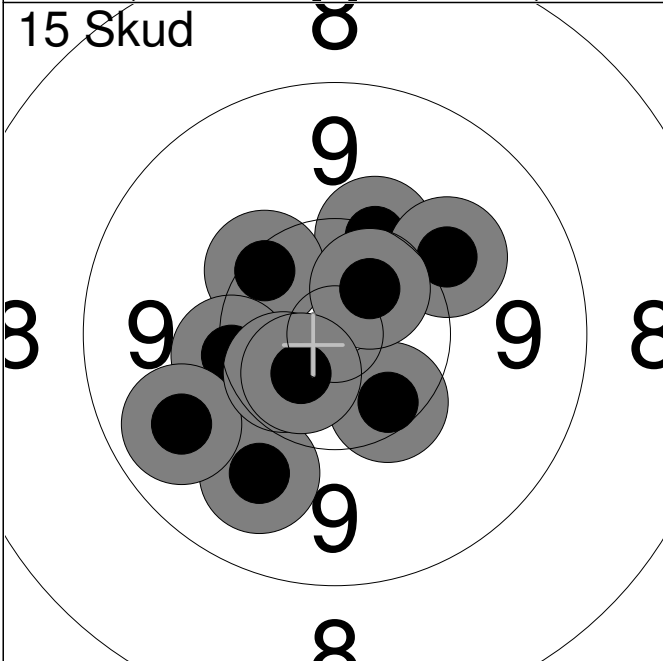
1:	10.4	↗
2:	10.4	↗
3:	10.0	↗
4:	10.4	↗
5:	*10.5	→
6:	9.4	←
7:	*10.8	↓
8:	10.0	↓
9:	9.7	←
10:	*10.7	↓
Serie		98.0
Total		98.0



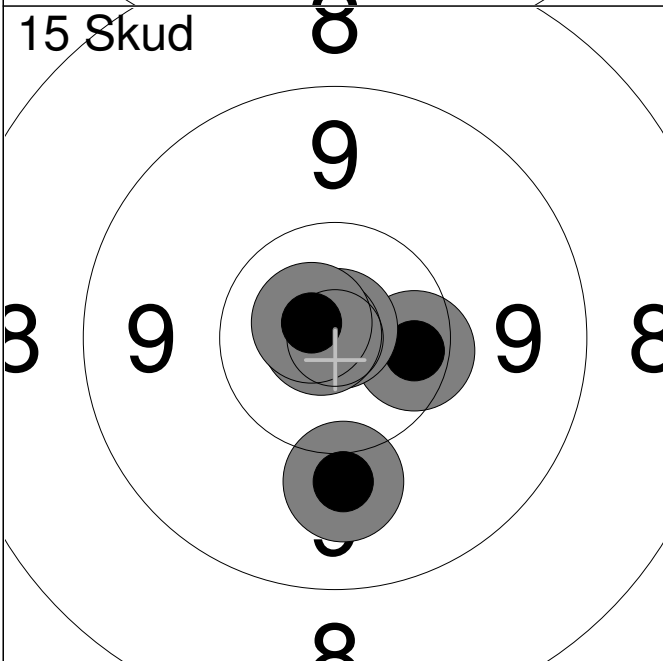
11:	*10.5	→
12:	10.0	↑
13:	*10.6	↓
14:	10.0	↖
15:	9.8	↑
Serie		49.0
Total		147.0



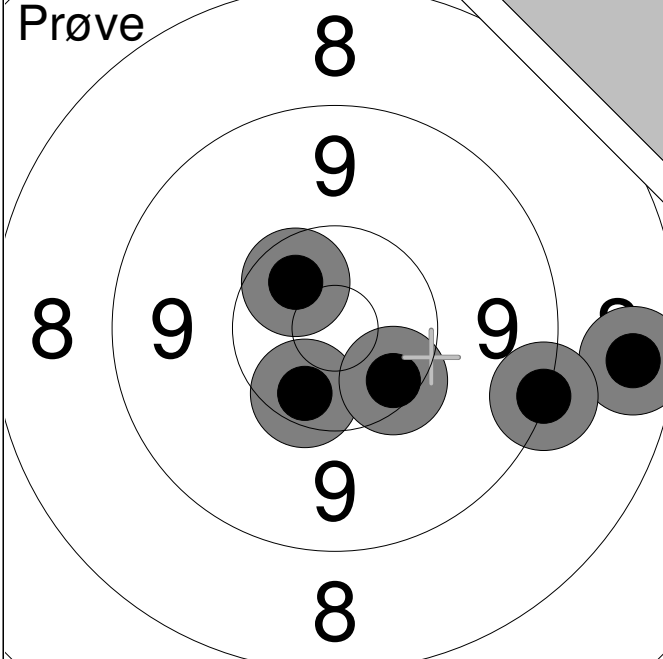
1:	10.0	↗
2:	10.0	↖
3:	10.3	↘
4:	10.0	↙
5:	*10.5	↑
Serie		50.0
Total		0.0



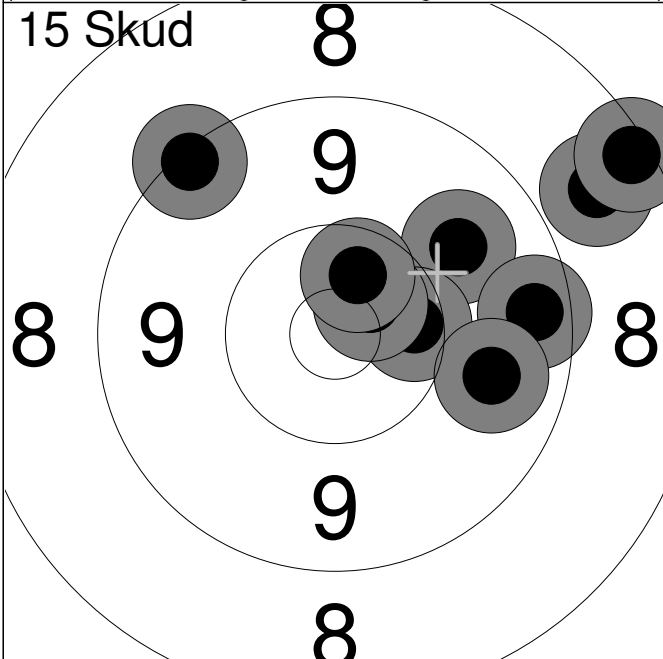
1:	10.2	↗
2:	9.9	↘
3:	10.3	↖
4:	10.2	↙
5:	9.7	↘
6:	*10.5	↙
7:	10.4	↘
8:	10.0	↗
9:	*10.6	↗
10:	*10.6	↘
Serie		98.0
Total		98.0



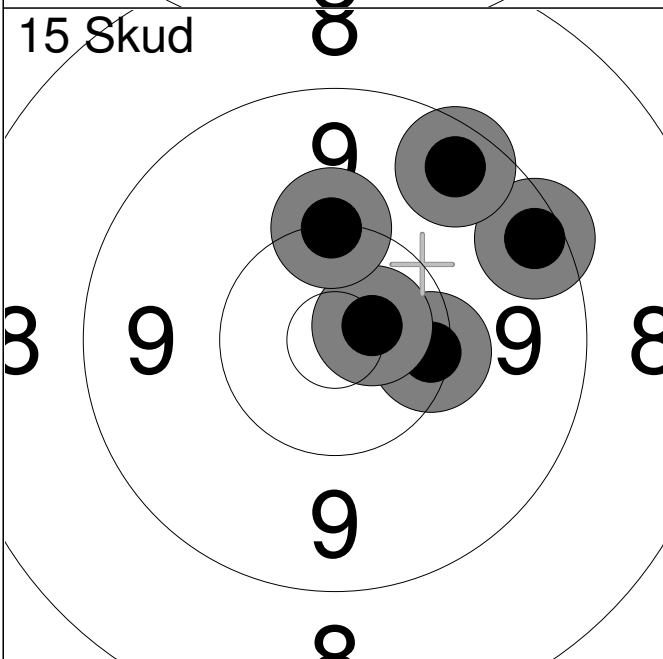
11:	10.4	→
12:	*10.9	↑
13:	*10.9	↖
14:	*10.8	↗
15:	10.0	↓
Serie		50.0
Total		148.0



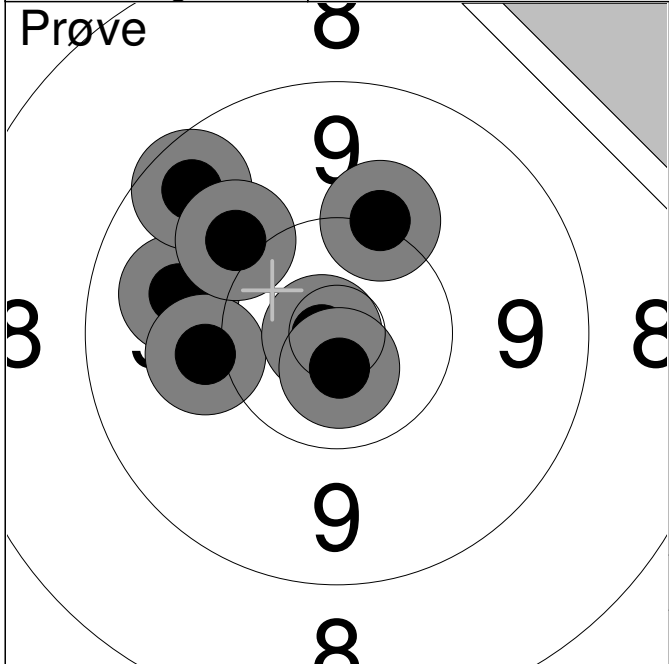
1:	*10.5	↗
2:	8.5	→
3:	10.4	↘
4:	9.2	→
5:	10.3	↘
Serie		47.0
Total		0.0



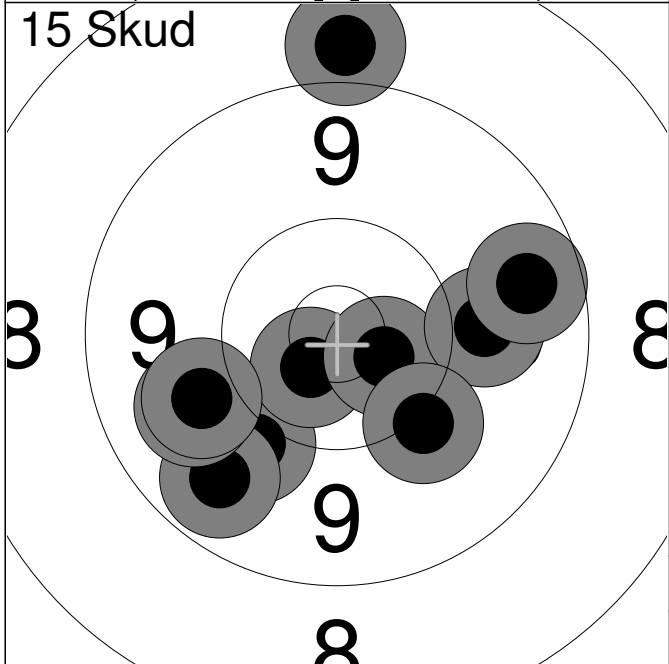
1:	*10.6	↗
2:	8.7	↗
3:	9.9	↗
4:	10.4	→
5:	*10.6	↗
6:	9.5	→
7:	8.3	↗
8:	*10.5	↑
9:	9.8	→
10:	9.3	↗
Serie		92.0
Total		92.0



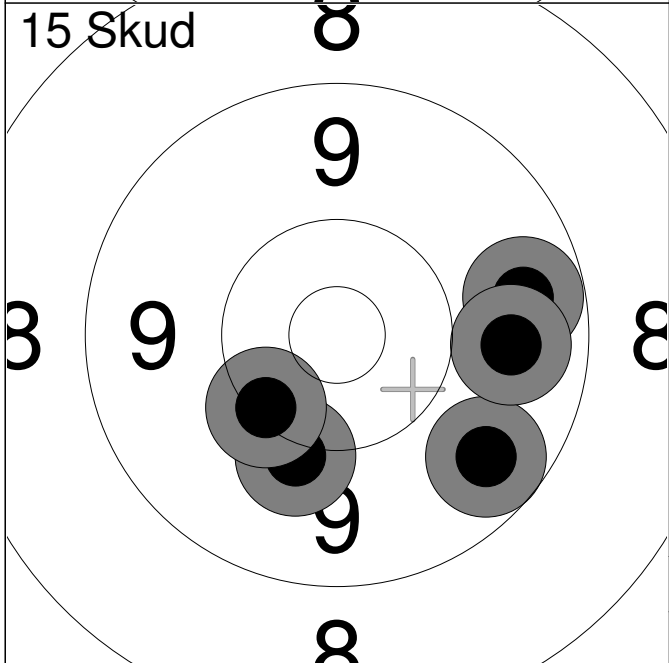
11:	9.4	↗
12:	10.3	→
13:	*10.7	↗
14:	10.2	↑
15:	9.5	↗
Serie		48.0
Total		140.0



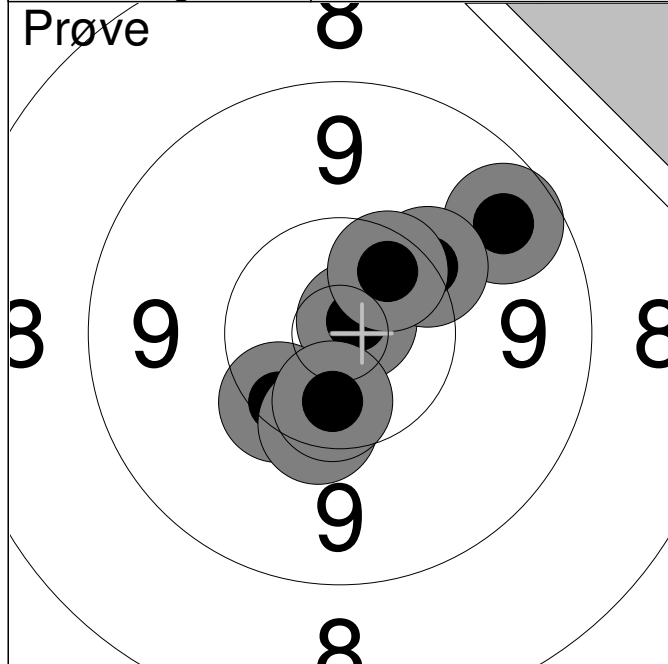
1:	9.8	←
2:	10.0	←
3:	*10.8	←
4:	10.1	↗
5:	9.5	↗
6:	10.0	↗
7:	*10.7	↓
Serie		68.0
Total		0.0



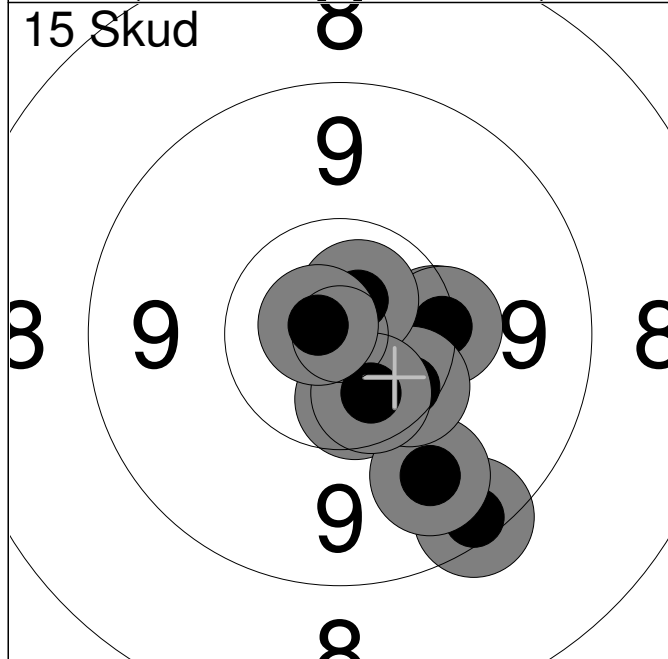
1:	10.0	↙
2:	*10.7	↙
3:	8.9	↑
4:	9.7	↙
5:	9.8	↙
6:	*10.6	↘
7:	9.9	←
8:	9.9	→
9:	10.1	↘
10:	9.6	→
Serie		93.0
Total		93.0



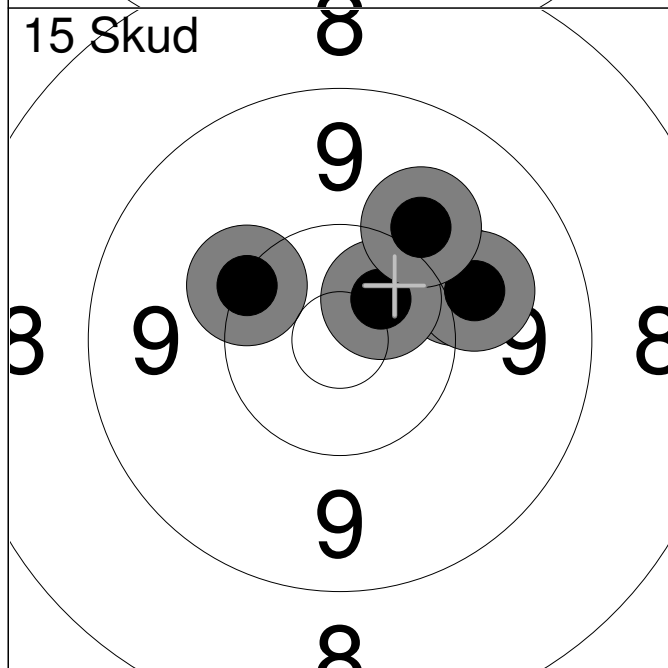
11:	9.6	↘
12:	9.6	→
13:	9.7	→
14:	10.1	↙
15:	10.3	↙
Serie		47.0
Total		140.0



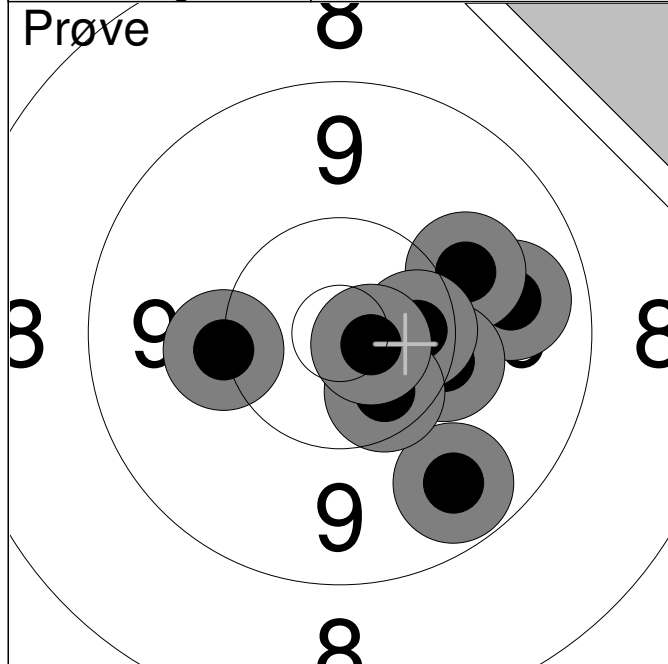
1:	9.6	↗
2:	*10.8	↗
3:	10.3	↘
4:	10.3	↘
5:	*10.5	↘
6:	10.2	↗
7:	*10.4	↗
Serie		69.0
Total		0.0



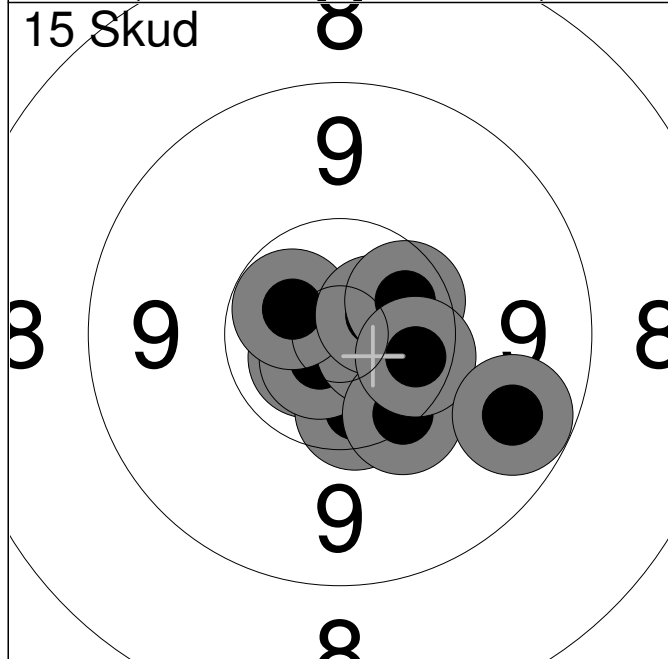
1:	10.3	→
2:	*10.6	↘
3:	*10.5	↘
4:	10.2	→
5:	9.4	↘
6:	9.8	↘
7:	10.4	↘
8:	*10.7	↗
9:	*10.5	↘
10:	*10.8	↗
Serie		98.0
Total		98.0



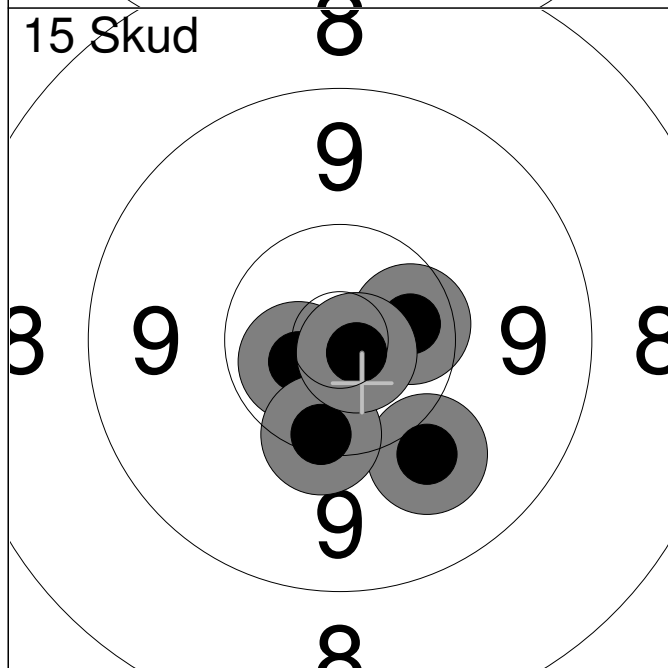
11:	10.1	↗
12:	10.0	→
13:	*10.6	↗
14:	10.2	↗
15:	10.0	↗
Serie		50.0
Total		148.0



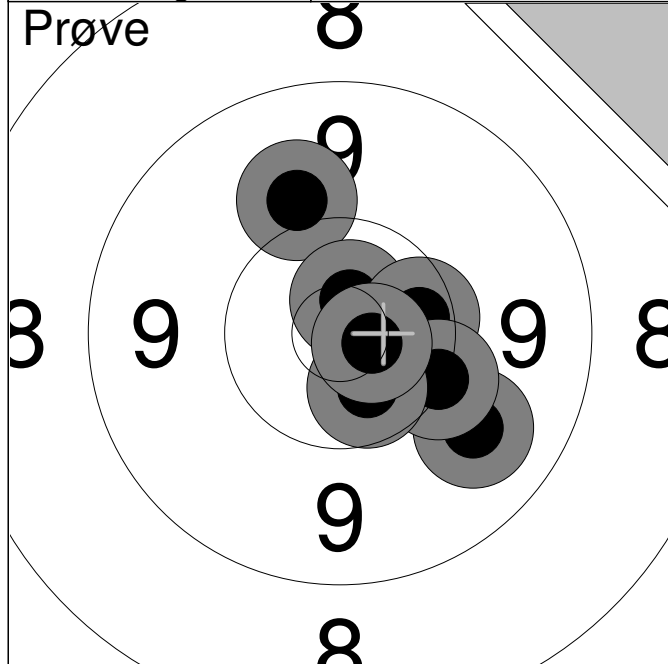
1:	9.7	→
2:	10.0	↗
3:	10.2	→
4:	10.1	←
5:	9.6	↘
6:	*10.4	→
7:	*10.4	↘
8:	*10.7	→
Serie		78.0
Total		0.0



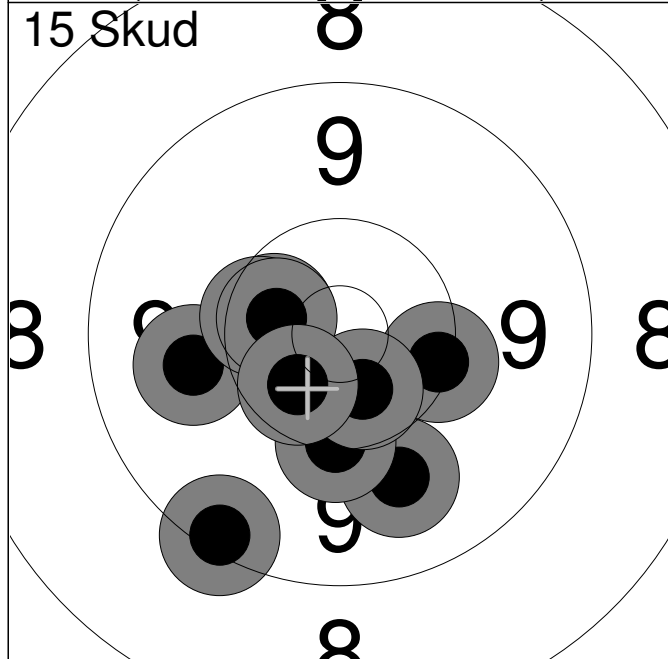
1:	*10.7	↖
2:	*10.4	↘
3:	*10.7	↖
4:	*10.7	↗
5:	*10.6	↗
6:	*10.7	↗
7:	*10.5	↗
8:	10.3	↘
9:	10.4	→
10:	9.6	↘
Serie		99.0
Total		99.0



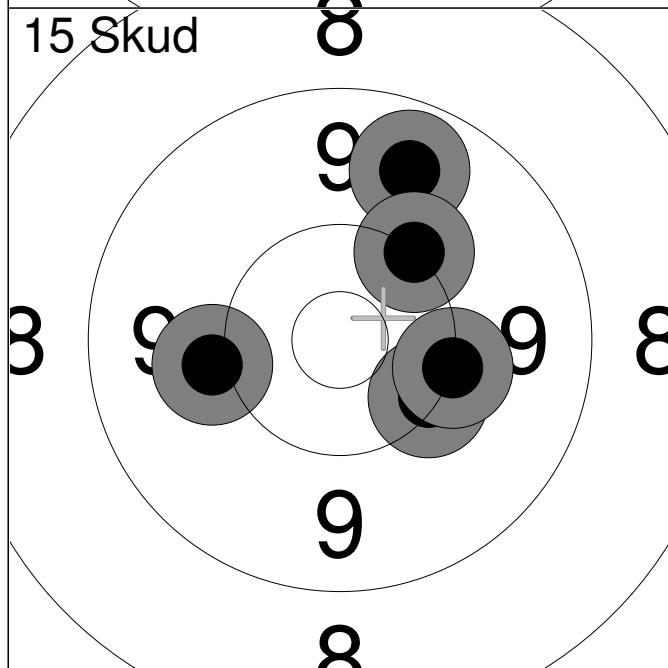
11:	10.0	↘
12:	*10.6	↖
13:	*10.5	→
14:	10.3	↘
15:	*10.8	↘
Serie		50.0
Total		149.0



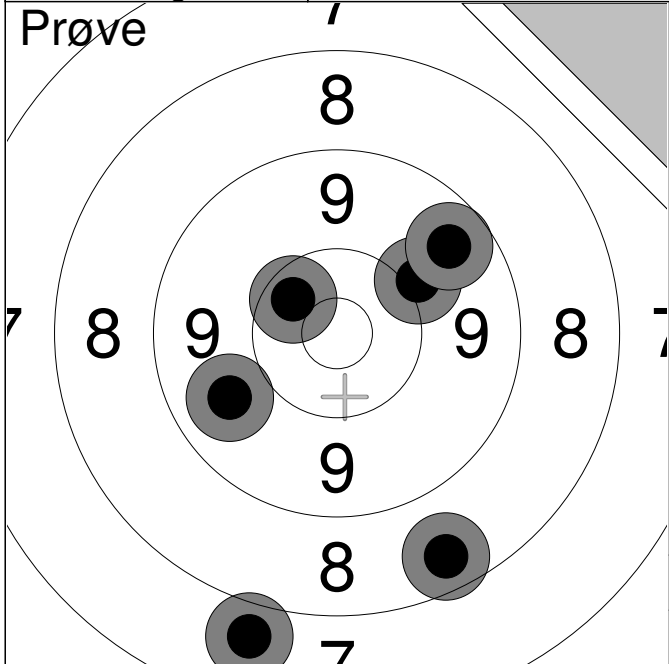
1:	10.0	↖
2:	9.8	↘
3:	*10.7	↖
4:	10.4	→
5:	10.2	↘
6:	*10.5	↘
7:	*10.7	↘
Serie		69.0
Total		0.0



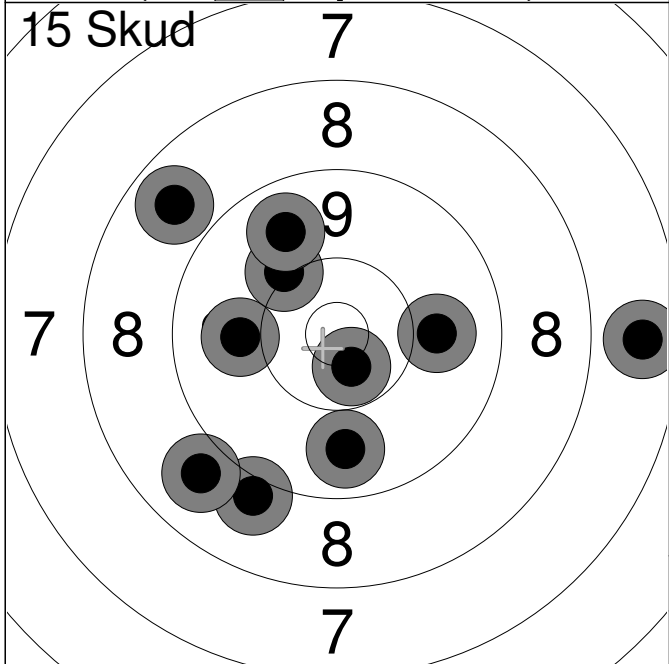
1:	9.9	←
2:	9.3	↘
3:	9.9	↘
4:	*10.5	↖
5:	10.2	↘
6:	10.2	→
7:	10.4	↖
8:	*10.5	↖
9:	*10.5	↘
10:	*10.5	↘
Serie		97.0
Total		97.0



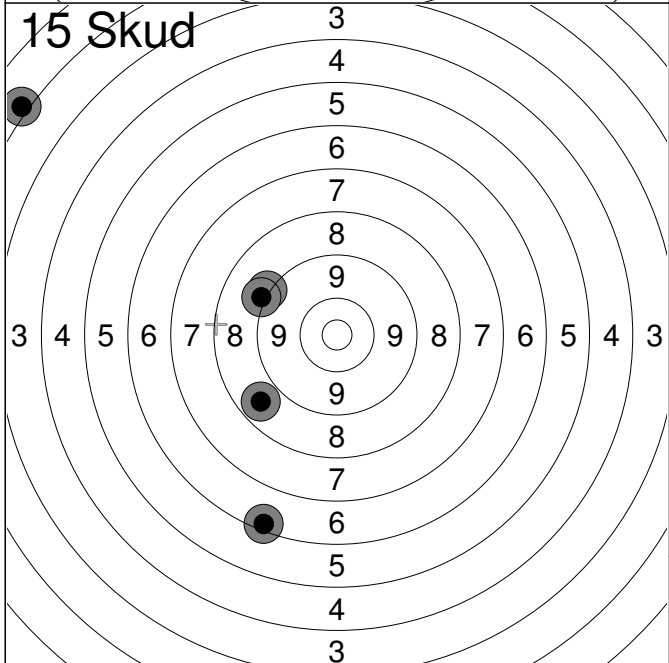
11:	9.7	↖
12:	10.2	↘
13:	10.2	↗
14:	10.1	←
15:	10.2	→
Serie		49.0
Total		146.0



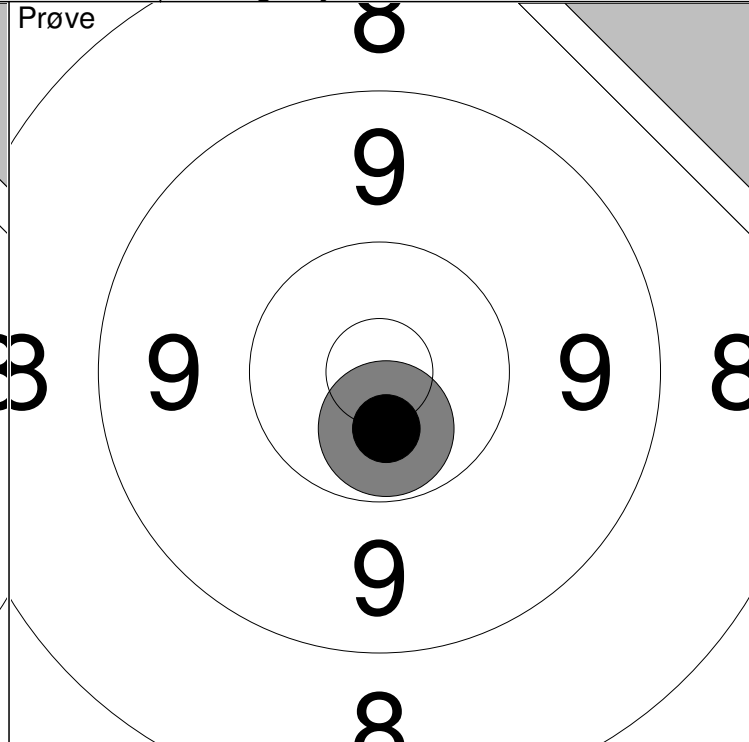
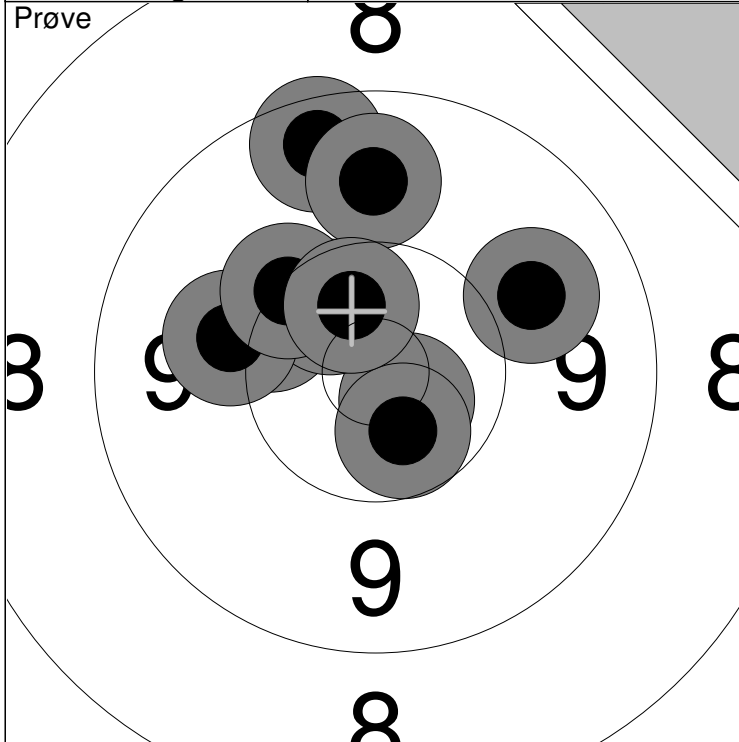
1:	9.8	↙
2:	7.8	↓
3:	10.0	↗
4:	9.6	↗
5:	*10.4	↗
6:	8.5	↓
Serie		53.0
Total		0.0



1:	9.0	↙
2:	9.9	←
3:	8.7	↗
4:	8.8	↙
5:	9.7	↓
6:	9.9	→
7:	10.1	↗
8:	7.6	→
9:	9.7	↗
10:	*10.6	↓
Serie		88.0
Total		88.0

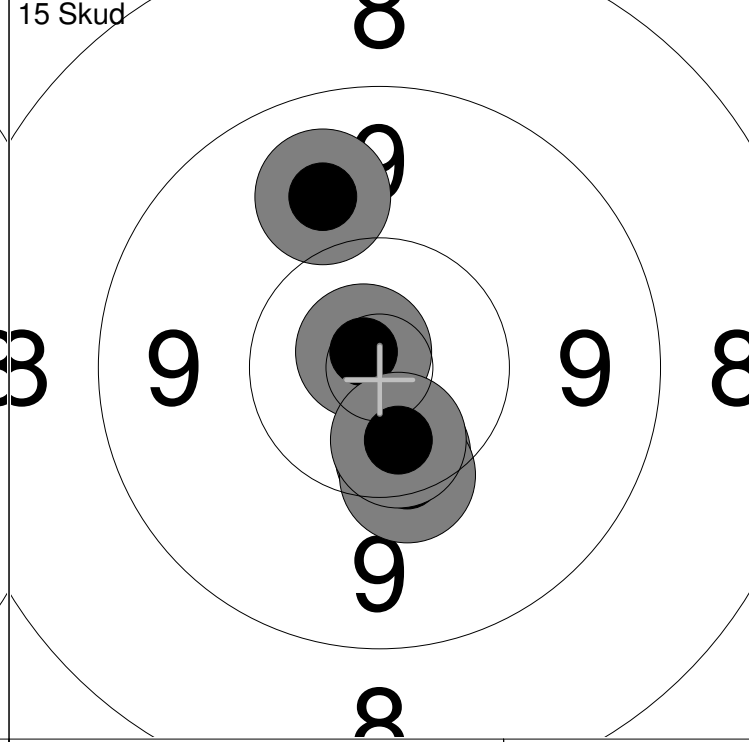
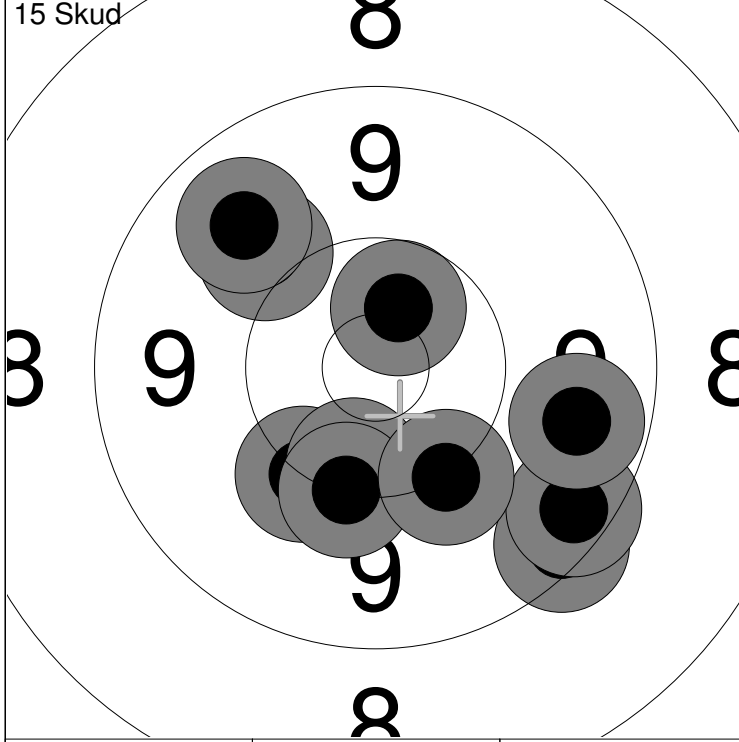


11:	9.1	↗
12:	2.0	↗
13:	8.7	↙
14:	9.1	↗
15:	6.3	↙
Serie		34.0
Total		122.0



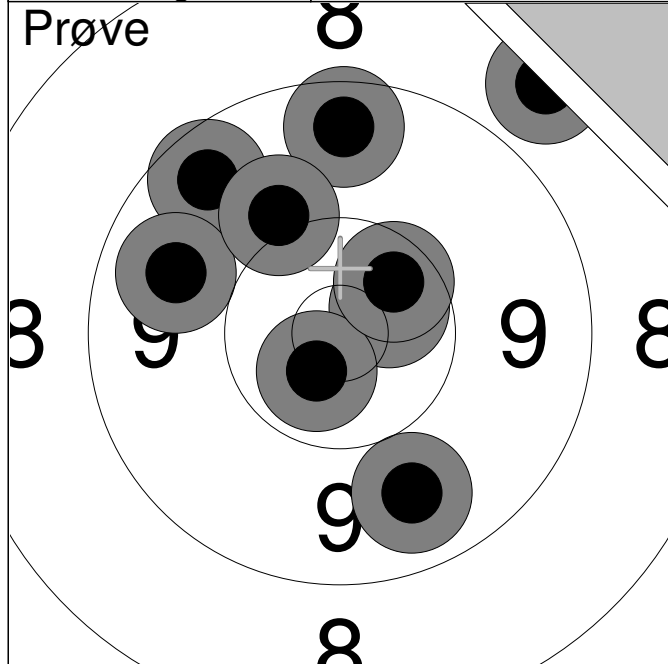
1: 10.2 ↖	6: *10.5 ↗	Serie	97.0
2: *10.7 ↘	7: 10.0 ↖		
3: 9.5 ↗	8: 10.2 ↗	Total	0.0
4: *10.6 ↘	9: 9.9 ↗		
5: 9.8 ↗	10: *10.5 ↗		

11: *10.6 ↓		Serie	10.0
		Total	0.0

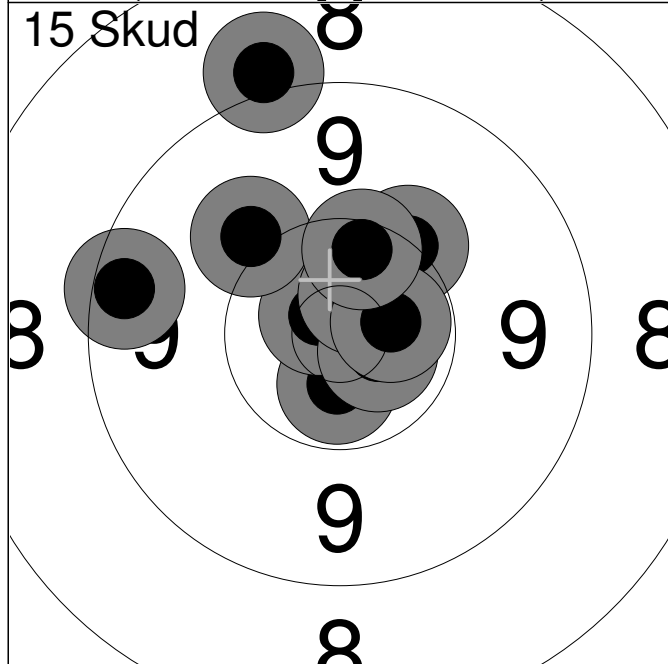


1: 9.3 ↘	6: 9.7 ↗	Serie	96.0
2: 10.0 ↗	7: *10.6 ↗		
3: 10.2 ↘	8: 10.2 ↘	Total	96.0
4: 10.3 ↘	9: 9.8 ↗		
5: 9.4 ↘	10: 10.2 ↘		

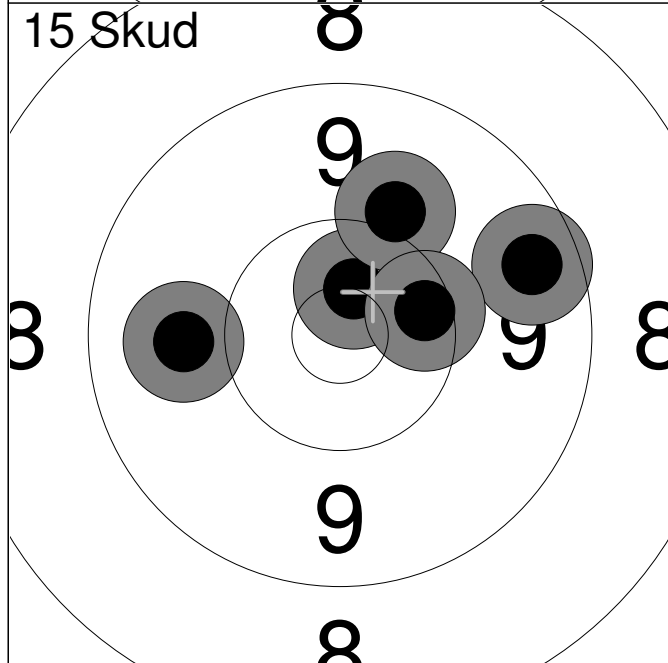
11: *10.8 ↗	12: 10.4 ↘	Serie	49.0
13: 10.3 ↘	14: *10.5 ↘		
15: 9.8 ↗		Total	145.0



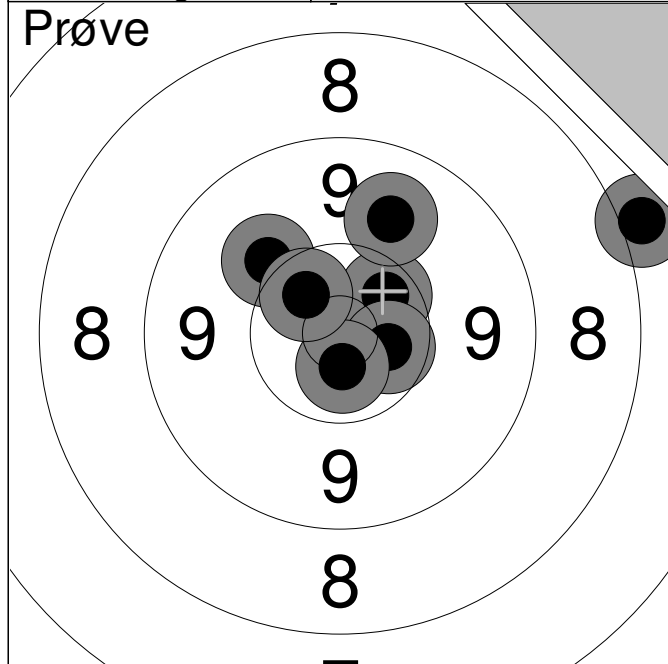
1:	9.7	↓
2:	9.5	↗
3:	9.7	←
4:	8.6	↗
5:	9.5	↑
6:	10.0	↖
7:	*10.6	↗
8:	*10.6	↙
9:	*10.4	↗
Serie		84.0
Total		0.0



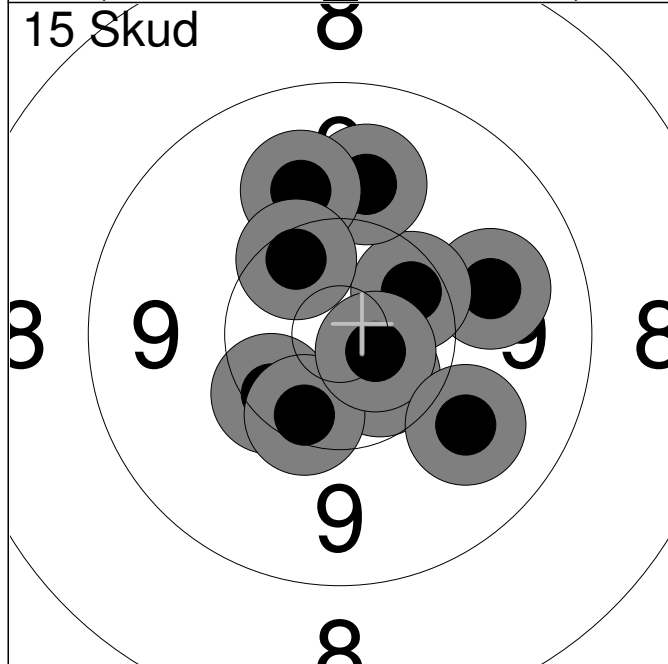
1:	*10.6	↓
2:	*10.8	↗
3:	9.4	←
4:	10.2	↗
5:	*10.7	↘
6:	10.0	↗
7:	*10.7	↗
8:	9.0	↑
9:	*10.6	→
10:	10.4	↑
Serie		98.0
Total		98.0



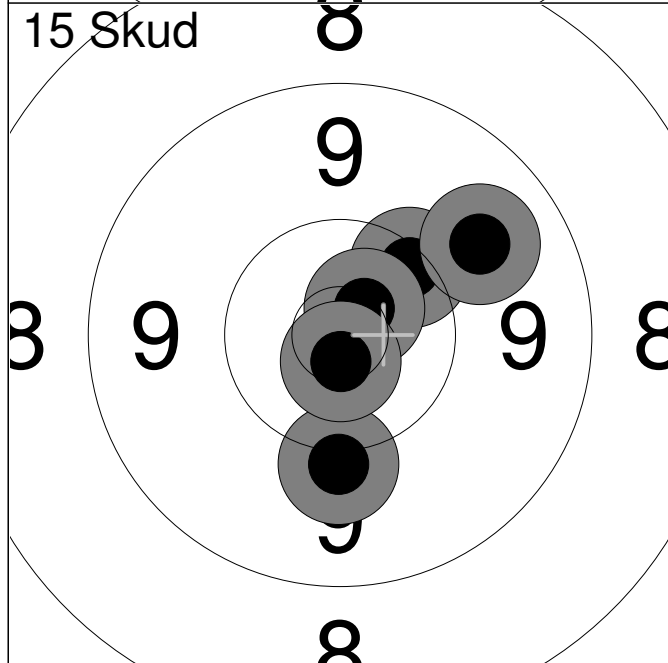
11:	9.5	→
12:	9.9	←
13:	*10.6	↑
14:	10.0	↗
15:	10.3	→
Serie		48.0
Total		146.0



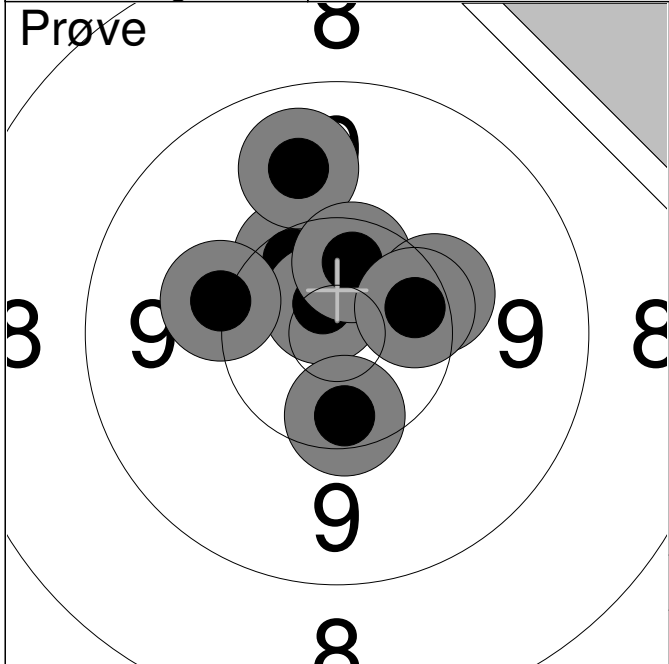
1:	8.0	→
2:	*10.4	↗
3:	10.0	↗
4:	9.8	↗
5:	*10.5	→
6:	*10.7	↓
7:	*10.5	↗
Serie		67.0
Total		0.0



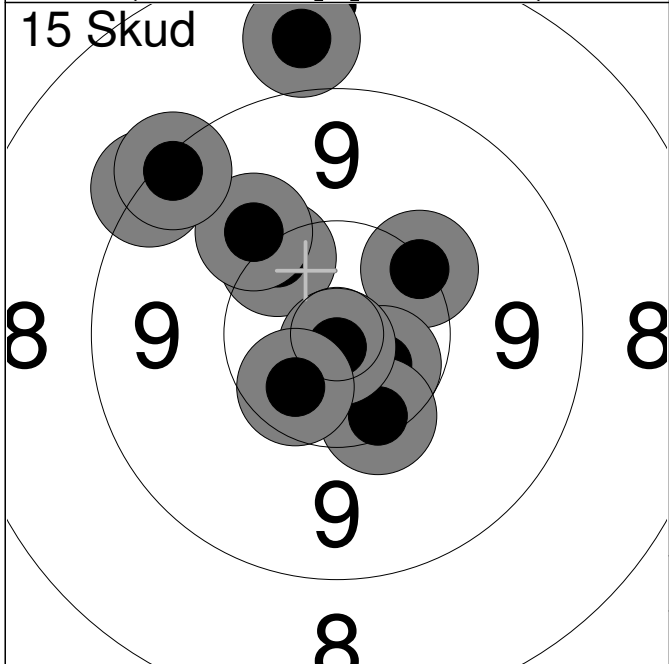
1:	9.9	→
2:	10.4	↗
3:	*10.6	↓
4:	10.3	↖
5:	10.3	↓
6:	9.9	↑
7:	9.9	↑
8:	*10.7	↘
9:	9.9	↓
10:	10.4	↗
Serie		96.0
Total		96.0



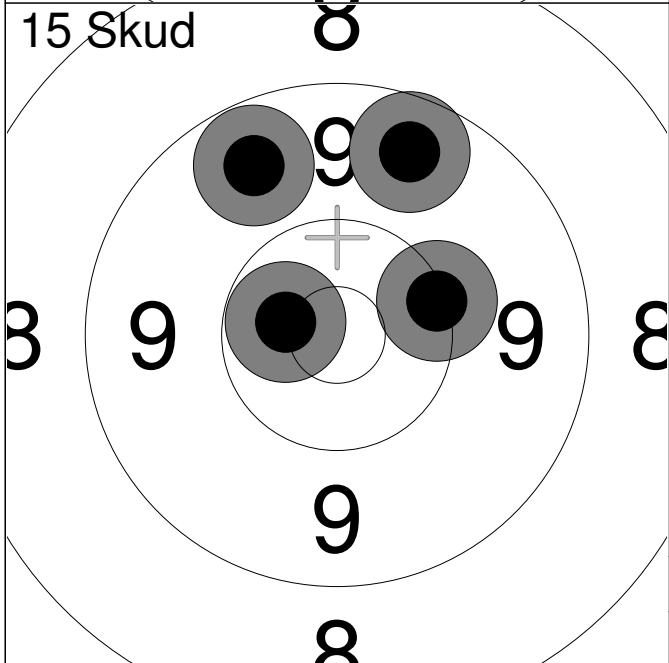
11:	10.3	↗
12:	*10.7	↗
13:	10.1	↓
14:	*10.8	↓
15:	9.8	↗
Serie		49.0
Total		145.0



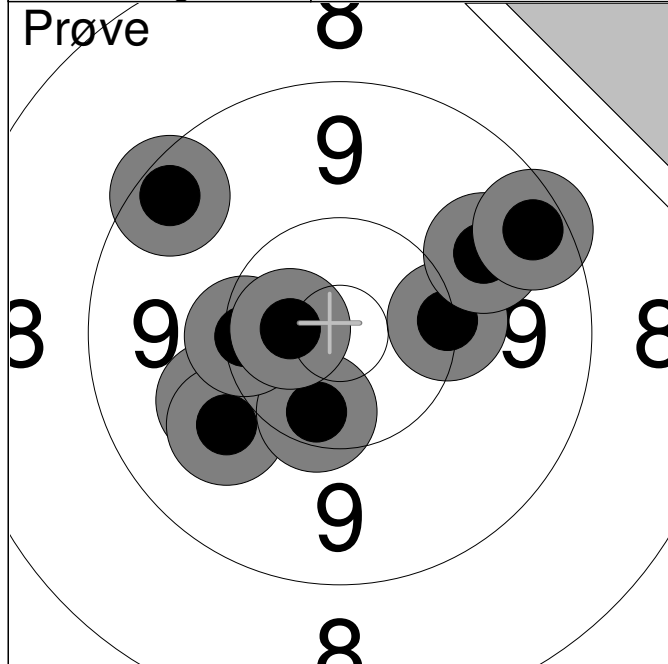
1:	10.4	↗
2:	*10.7	↗
3:	9.8	↗
4:	10.4	↘
5:	*10.5	↗
6:	10.1	↖
7:	10.2	↗
8:	10.4	↗
Serie		79.0
Total		0.0



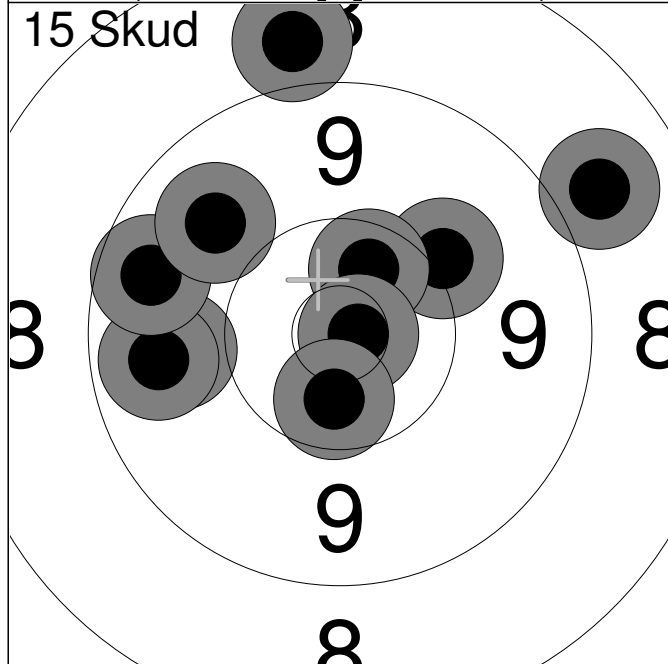
1:	10.3	↗
2:	10.2	↗
3:	9.2	↗
4:	*10.6	↘
5:	10.0	↗
6:	10.3	↘
7:	*10.9	↘
8:	9.3	↗
9:	8.8	↗
10:	*10.5	↘
Serie		96.0
Total		96.0



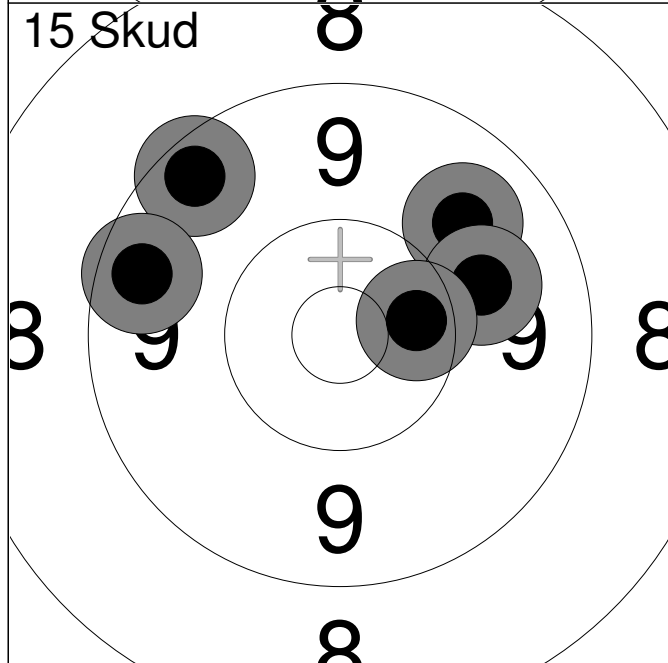
11:	9.6	↗
12:	9.6	↗
13:	10.2	↗
14:	*10.6	↖
Serie		38.0
Total		134.0



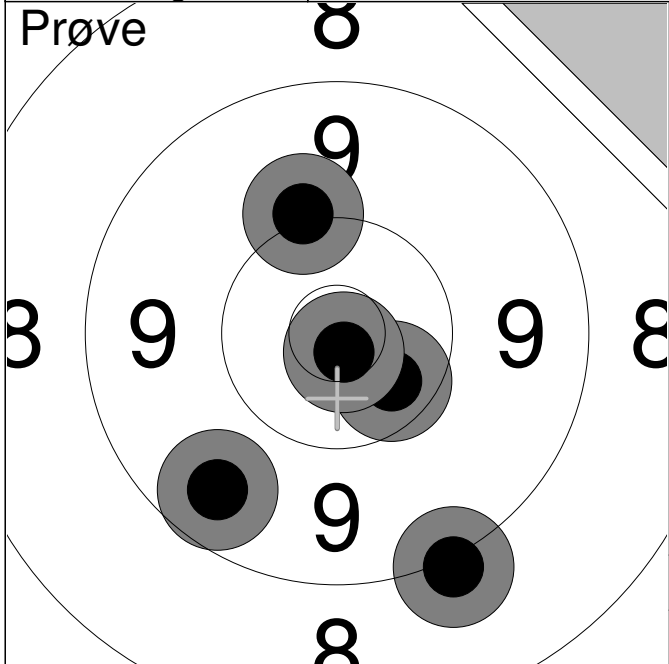
1:	10.2	→
2:	9.8	↗
3:	9.4	↗
4:	10.0	↖
5:	10.0	↖
6:	10.4	↓
7:	9.4	↗
8:	10.3	←
9:	*10.6	←
Serie		87.0
Total		0.0



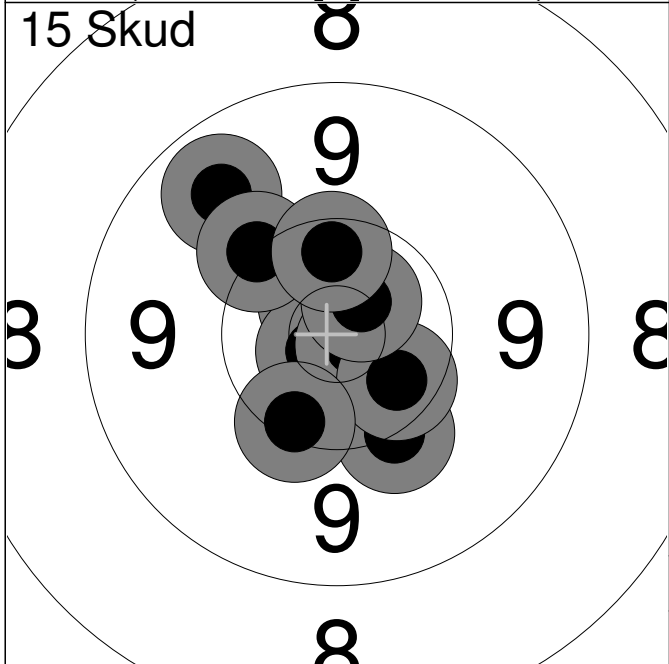
1:	9.8	←
2:	9.7	←
3:	8.8	↗
4:	10.1	↗
5:	*10.5	↗
6:	9.6	↖
7:	8.8	↗
8:	9.8	↗
9:	*10.8	→
10:	*10.5	↓
Serie		92.0
Total		92.0



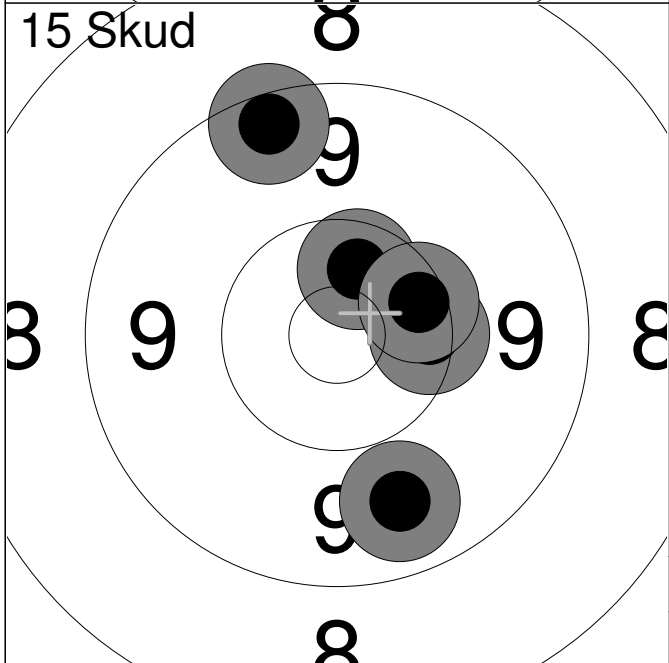
11:	9.4	↗
12:	9.8	↗
13:	9.5	←
14:	9.9	↗
15:	*10.4	→
Serie		46.0
Total		138.0



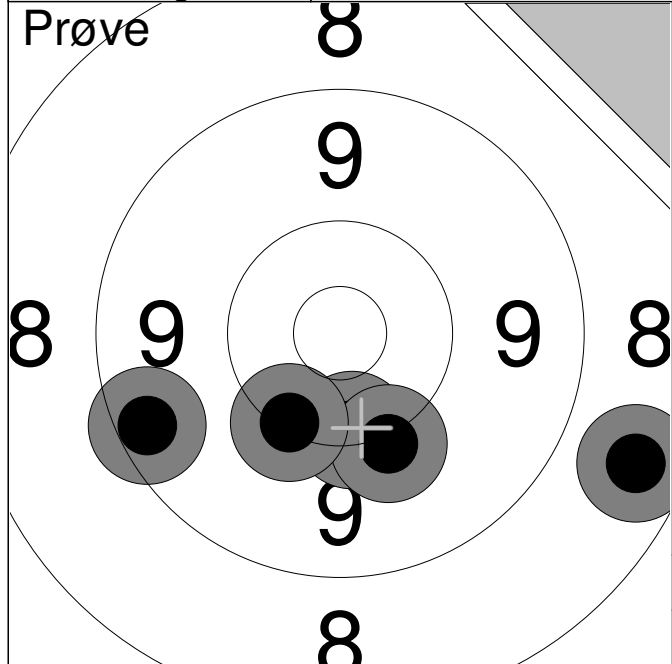
1:	9.1	↘
2:	*10.5	↘
3:	9.6	↘
4:	*10.8	↘
5:	10.1	↗
Serie		48.0
Total		0.0



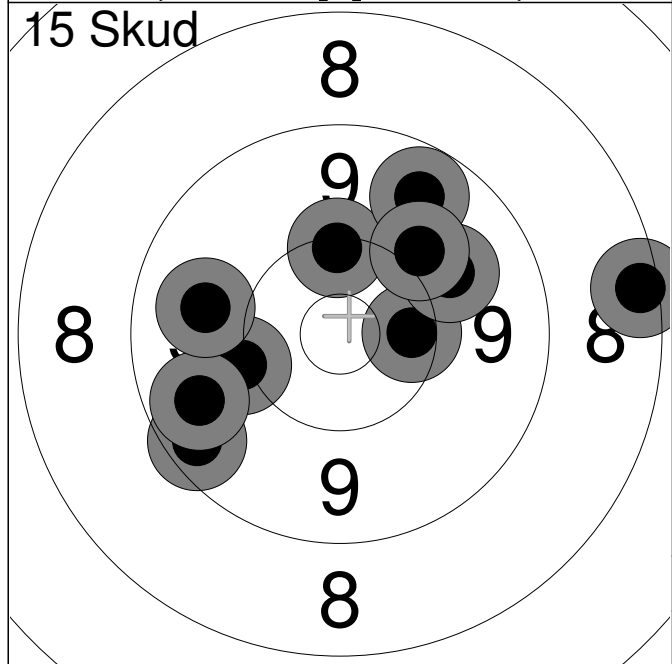
1:	*10.7	↗
2:	*10.8	↘
3:	*10.8	↘
4:	9.7	↗
5:	10.2	↗
6:	10.2	↘
7:	*10.4	↘
8:	*10.7	↗
9:	10.3	↘
10:	10.4	↗
Serie		99.0
Total		99.0



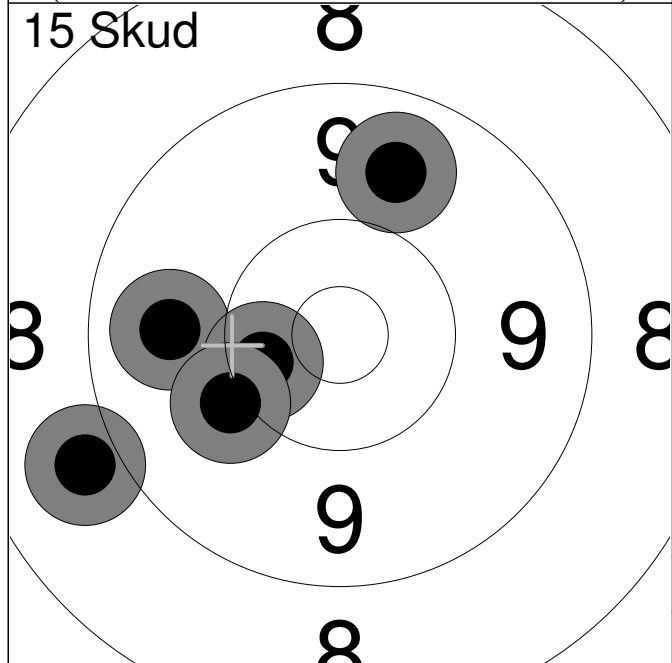
11:	10.3	→
12:	9.7	↘
13:	*10.5	↗
14:	10.3	↗
15:	9.4	↗
Serie		48.0
Total		147.0



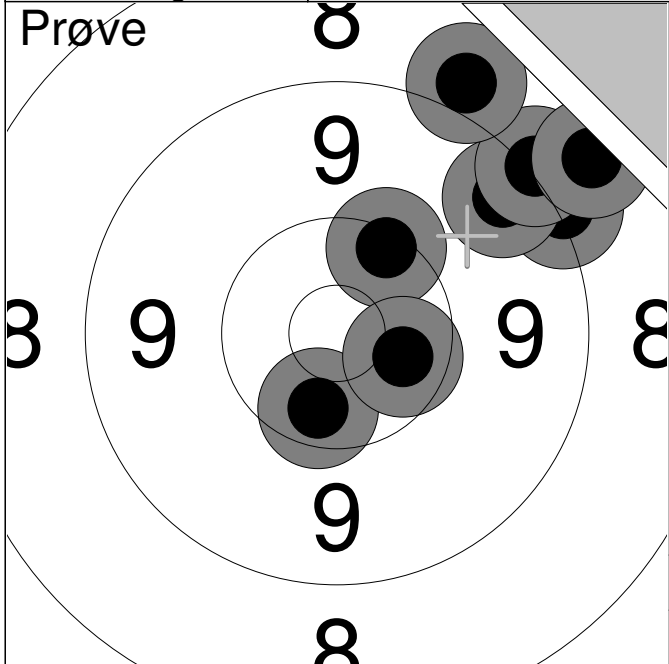
1:	8.6	→
2:	9.4	←
3:	10.3	↓
4:	10.1	↓
5:	10.2	↙
Serie		47.0
Total		0.0



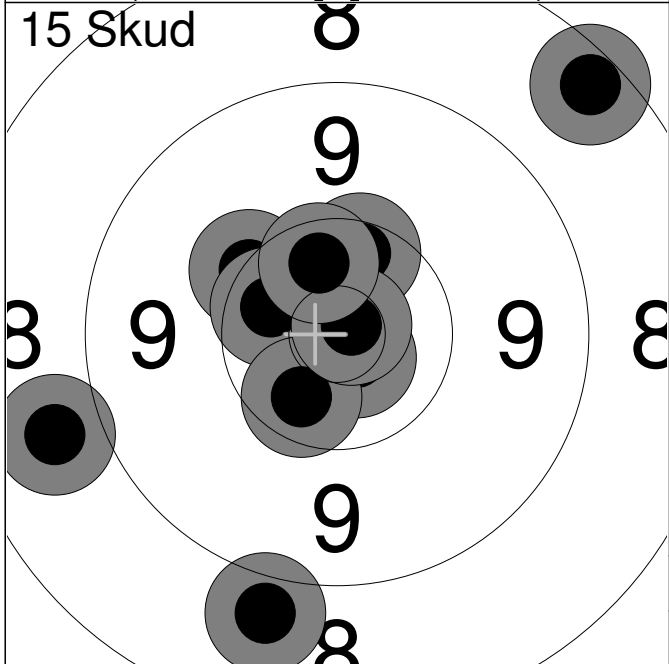
1:	9.4	←
2:	10.2	↑
3:	9.6	↗
4:	10.4	→
5:	10.1	←
6:	9.6	←
7:	8.3	→
8:	9.9	↗
9:	9.8	←
10:	10.0	↗
Serie		93.0
Total		93.0



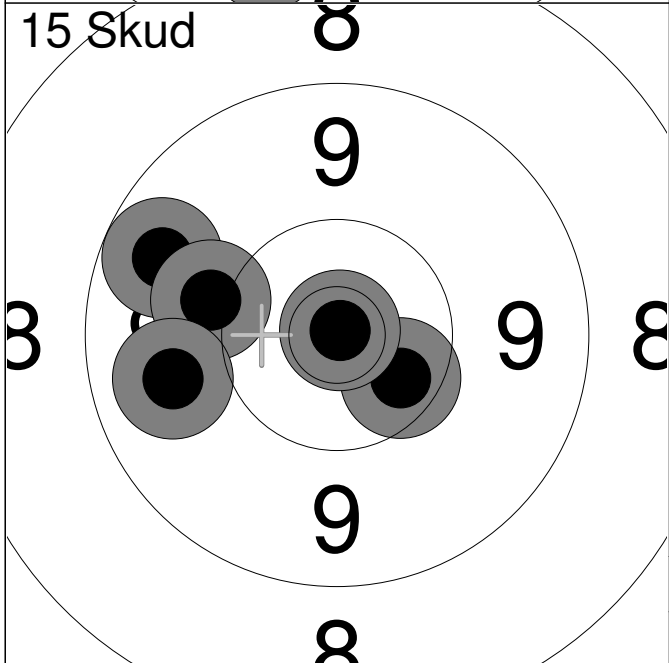
11:	9.8	↑
12:	9.8	←
13:	10.4	←
14:	10.1	←
15:	8.9	←
Serie		46.0
Total		139.0



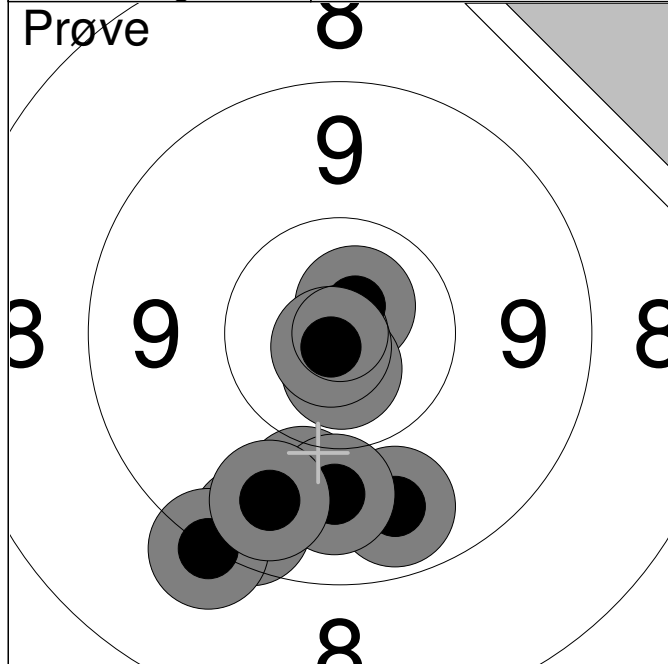
1:	9.1	↗
2:	10.3	↗
3:	9.4	↗
4:	9.1	↗
5:	9.0	↗
6:	8.7	↗
7:	*10.4	↘
8:	*10.5	↘
Serie		74.0
Total		0.0



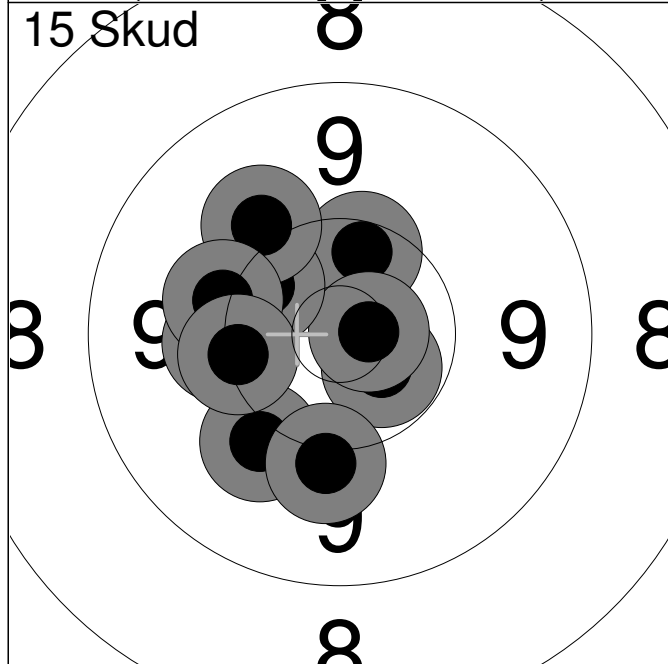
1:	*10.7	↘
2:	10.4	↗
3:	10.2	↗
4:	8.8	↖
5:	8.4	↗
6:	8.9	↘
7:	*10.5	↖
8:	*10.5	↘
9:	*10.8	↗
10:	*10.5	↖
Serie		94.0
Total		94.0



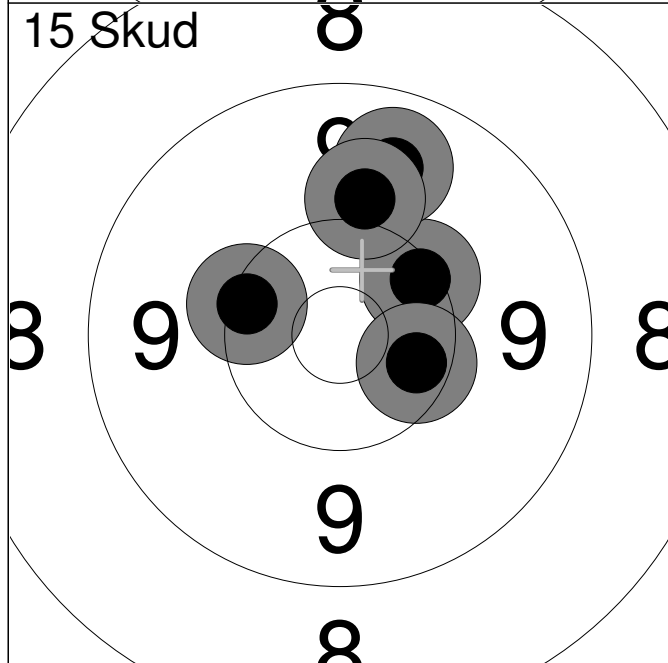
11:	*10.4	↘
12:	9.6	↗
13:	*10.9	↗
14:	10.1	↖
15:	9.8	↖
Serie		48.0
Total		142.0



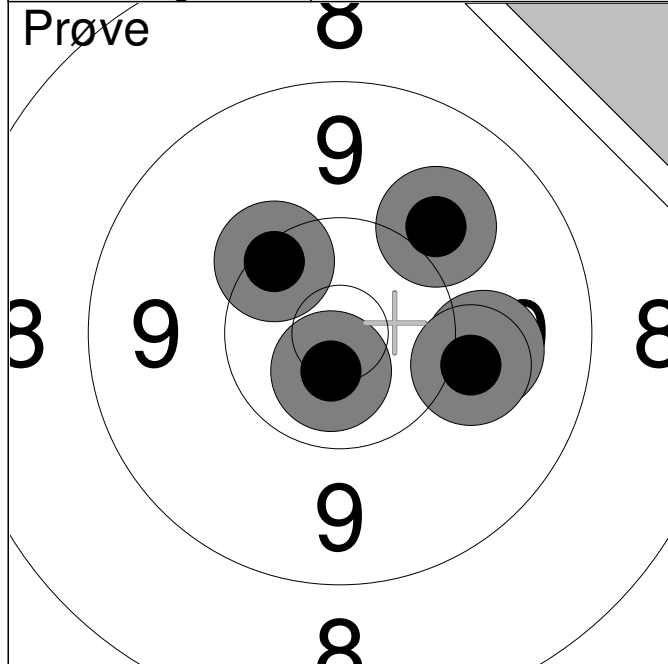
1:	9.9	↓
2:	9.5	↓
3:	9.2	↙
4:	9.7	↓
5:	9.8	↓
6:	9.7	↙
7:	*10.7	↗
8:	*10.7	↓
9:	*10.8	↙
Serie		84.0
Total		0.0



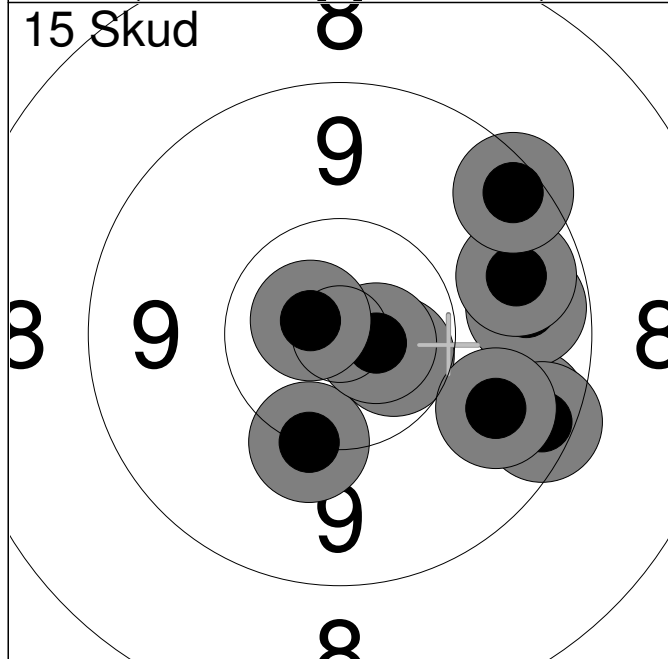
1:	10.0	↙
2:	*10.6	↘
3:	10.1	↓
4:	10.4	↗
5:	*10.8	→
6:	10.3	↗
7:	10.1	←
8:	10.0	↗
9:	10.1	↖
10:	10.2	←
Serie		100.0
Total		100.0



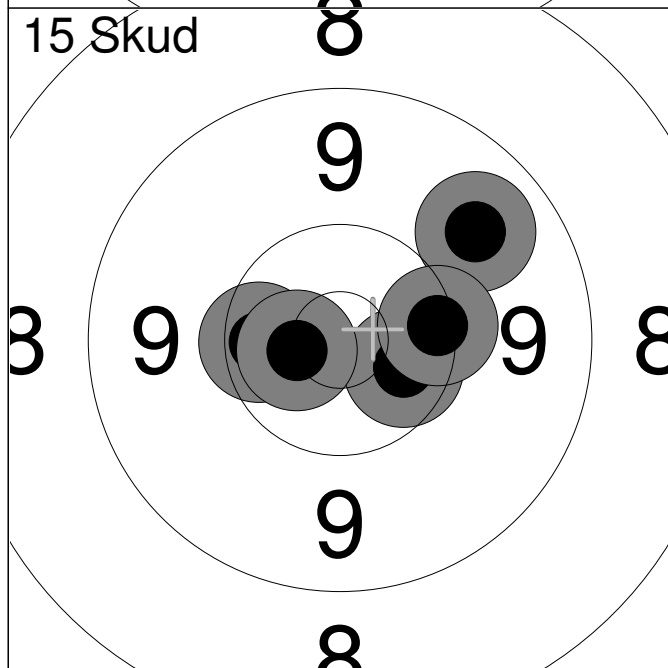
11:	10.3	↗
12:	10.3	↖
13:	9.7	↗
14:	10.0	↗
15:	10.4	↘
Serie		49.0
Total		149.0



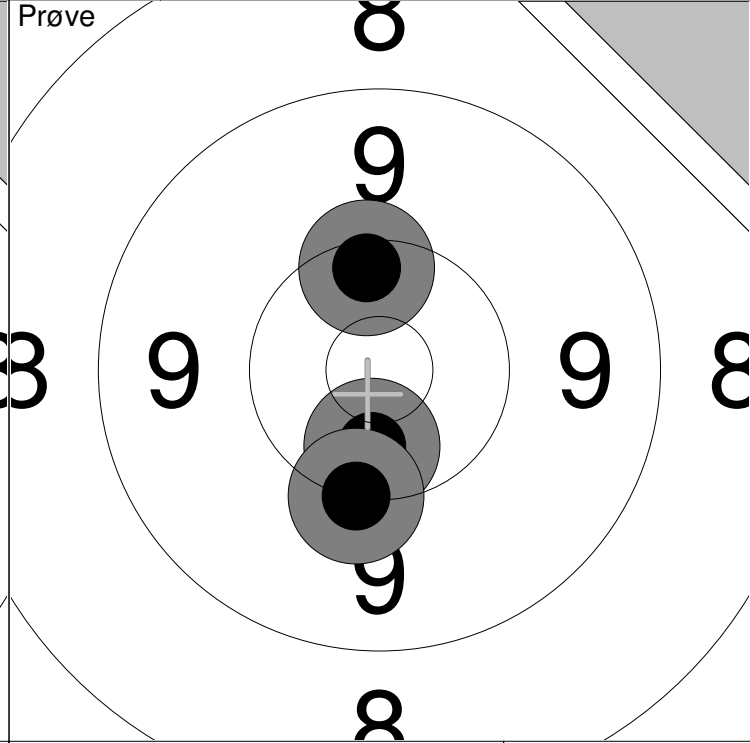
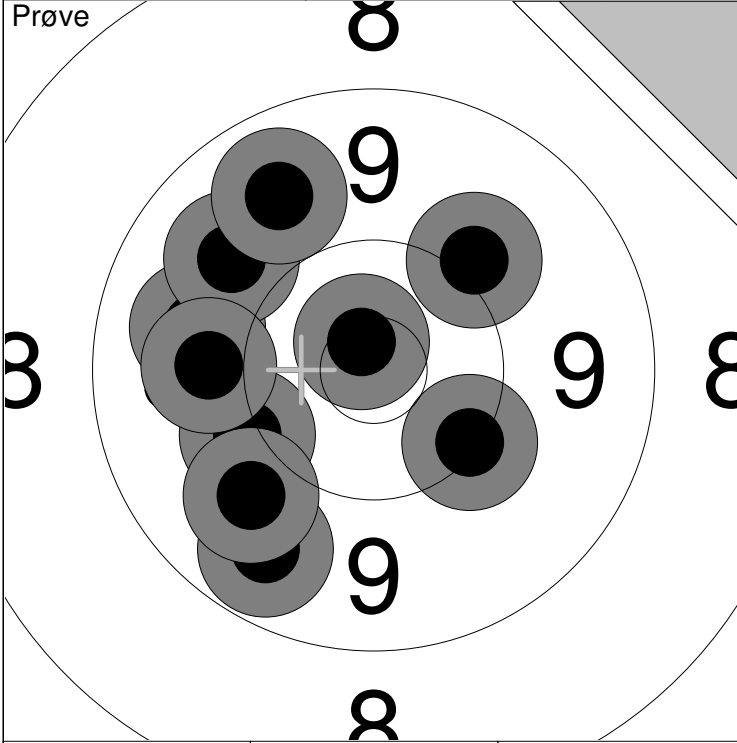
1:	10.0	↗
2:	10.0	→
3:	10.0	→
4:	*10.7	↘
5:	10.3	↗
Serie		50.0
Total		0.0



1:	*10.6	↘
2:	9.5	↘
3:	9.6	→
4:	9.4	↘
5:	9.7	→
6:	9.8	↘
7:	10.2	↘
8:	*10.7	→
9:	*10.7	↗
10:	9.4	↗
Serie		94.0
Total		94.0

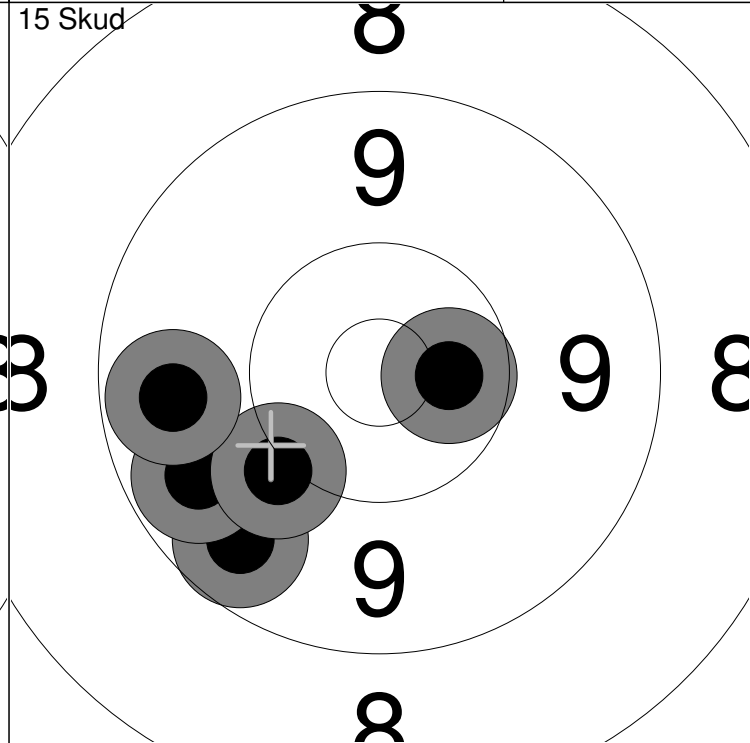
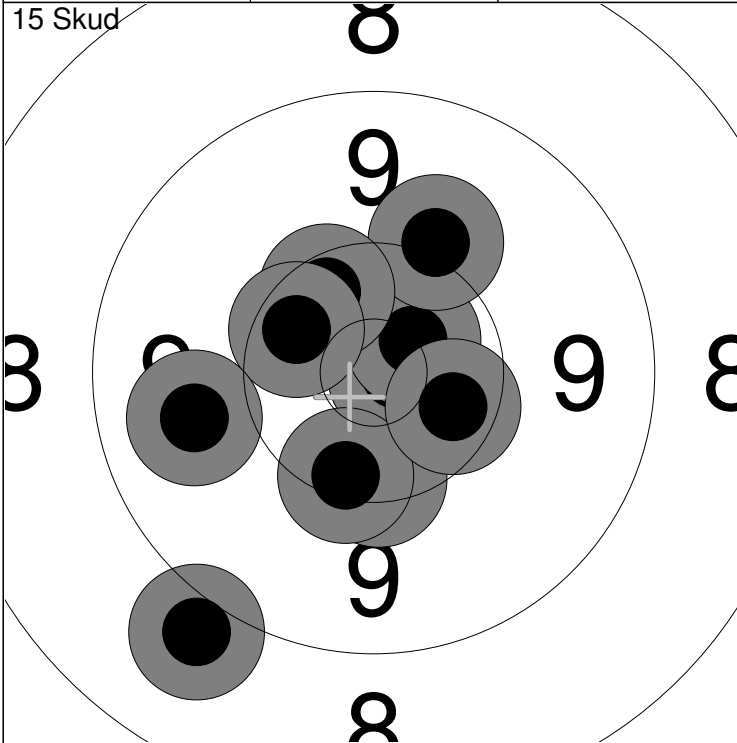


11:	9.7	↗
12:	*10.5	↘
13:	10.4	←
14:	10.3	→
15:	*10.6	←
Serie		49.0
Total		143.0



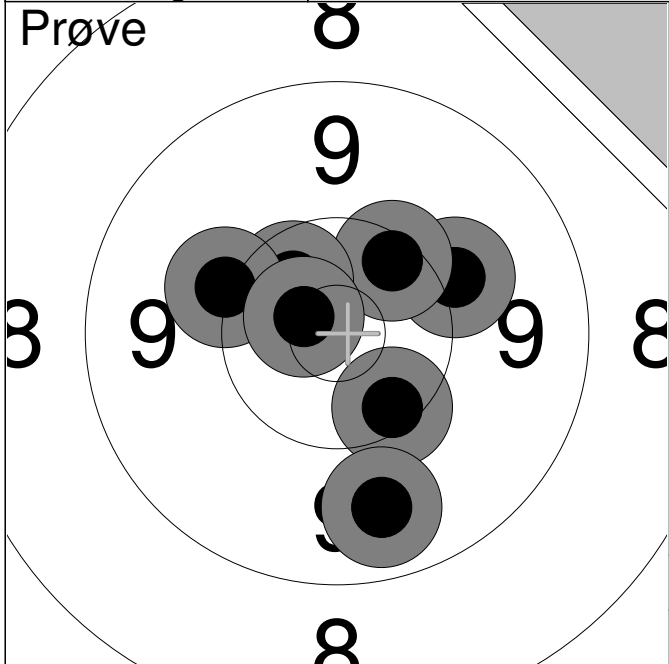
1: 10.2 ↘	6: 9.6 ↙	Serie	94.0
2: 9.8 ←	7: 10.1 ↙		
3: 9.8 ↗	8: *10.8 ↗	Total	0.0
4: 9.7 ↗	9: 9.9 ←		
5: 10.0 ↗	10: 9.9 ↙		

11: *10.5 ↓	Serie	30.0
12: 10.3 ↑		
13: 10.2 ↓	Total	0.0

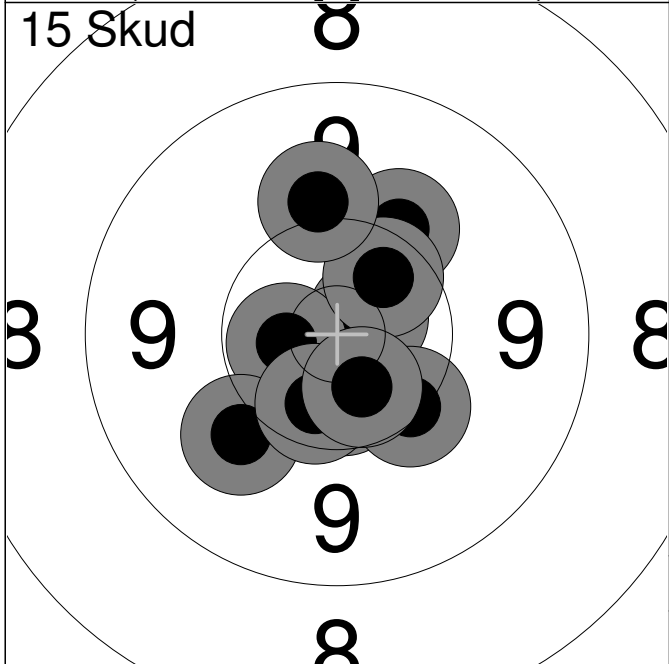


1: 10.3 ↓	6: 10.4 ↗	Serie	98.0
2: 9.0 ↙	7: 10.4 ↙		
3: *10.8 →	8: 9.8 ←	Total	98.0
4: *10.6 ↗	9: 10.3 ↓		
5: 10.1 ↗	10: *10.4 ↘		

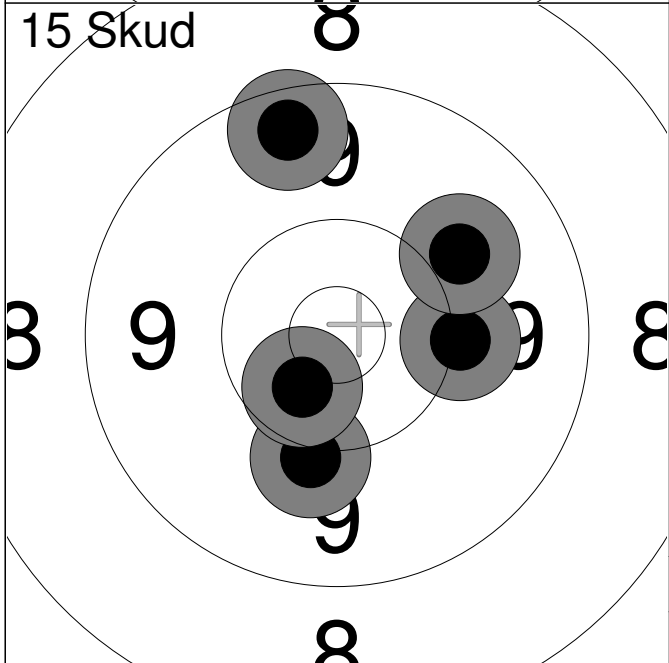
11: *10.5 →	Serie	47.0
12: 9.6 ↙		
13: 9.7 ↙	Total	145.0
14: 10.1 ↙		
15: 9.7 ←		



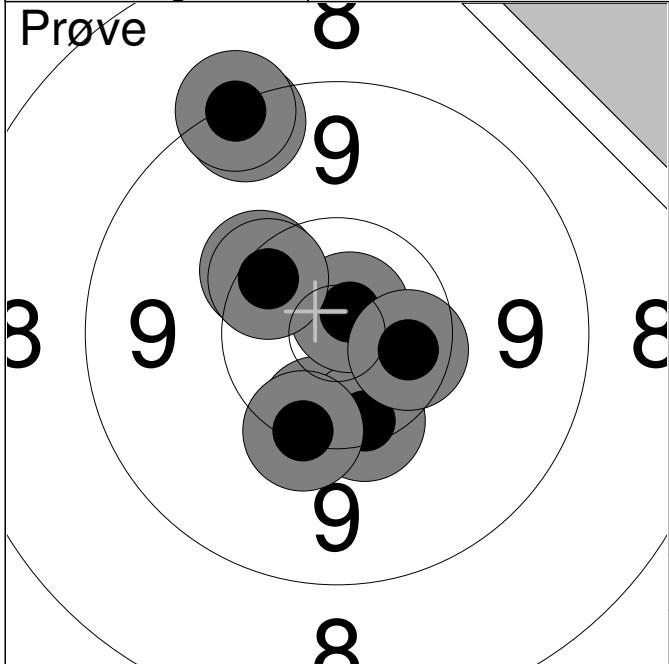
1:	10.1	↗
2:	10.3	↗
3:	*10.5	↗
4:	10.3	↘
5:	9.7	↘
6:	10.1	↗
7:	*10.7	↗
Serie		69.0
Total		0.0



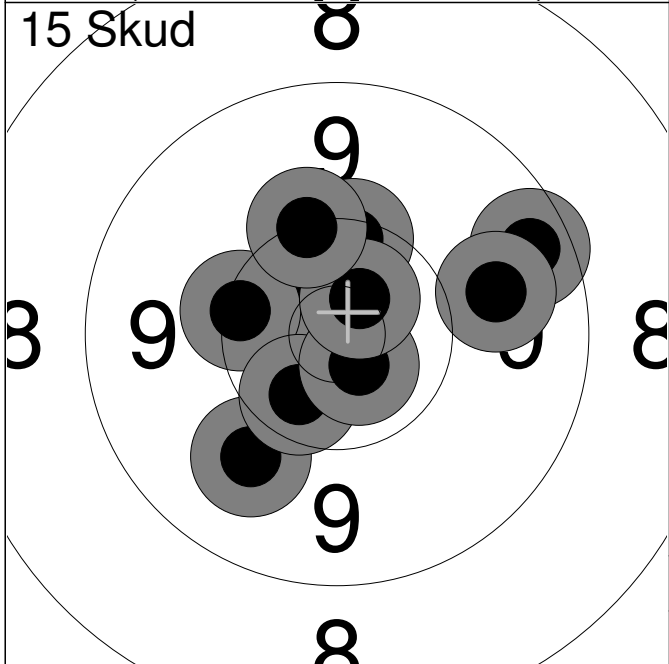
1:	*10.5	↘
2:	*10.7	↗
3:	*10.6	↖
4:	10.2	↘
5:	10.0	↖
6:	10.1	↗
7:	*10.5	↗
8:	*10.5	↘
9:	*10.6	↘
10:	10.0	↗
Serie		100.0
Total		100.0



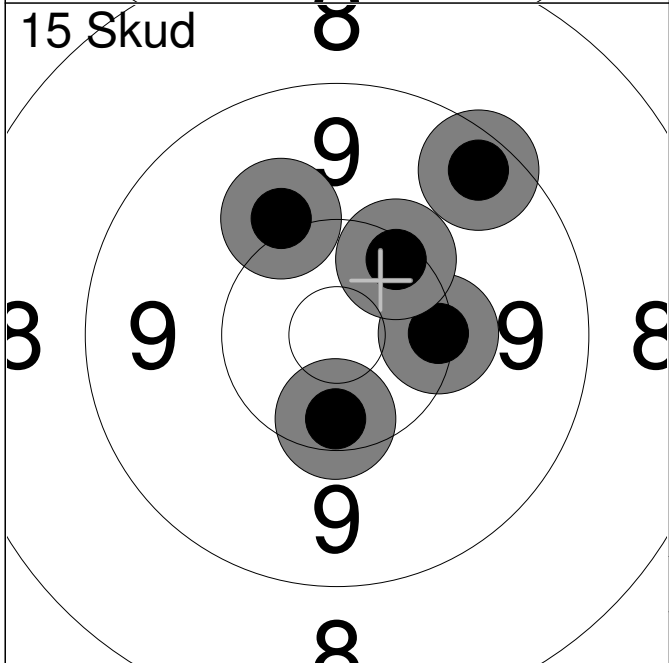
11:	9.5	↗
12:	10.1	↘
13:	10.1	→
14:	*10.5	↖
15:	9.9	↗
Serie		48.0
Total		148.0



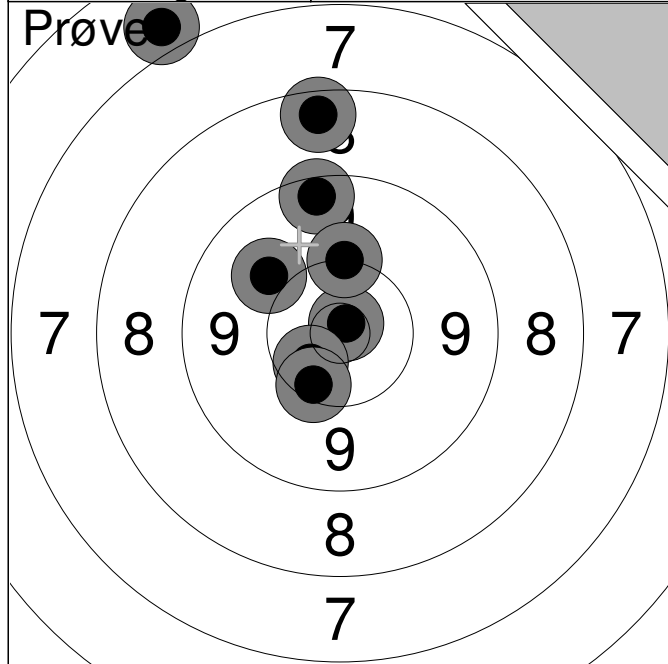
1:	10.4	↓
2:	10.3	↓
3:	*10.8	↑
4:	9.3	↑
5:	10.3	↑
6:	9.2	↑
7:	*10.5	↓
8:	10.3	↑
9:	10.2	↓
Serie		88.0
Total		0.0



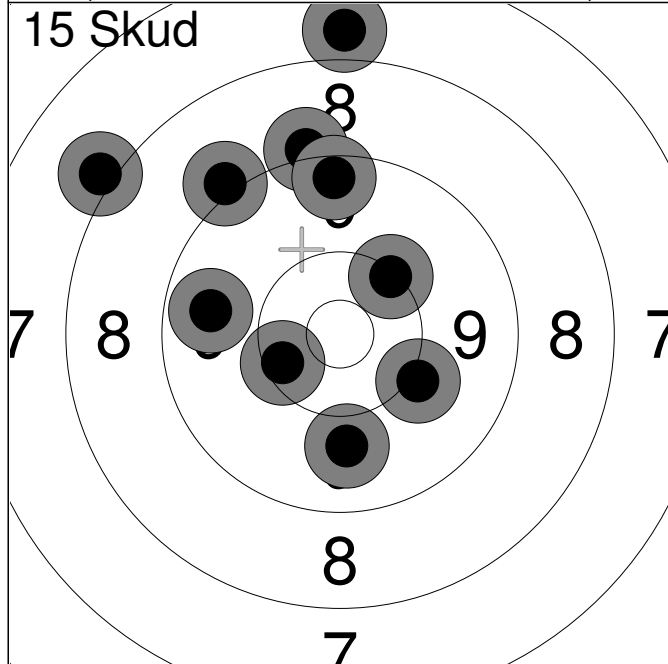
1:	*10.6	↑
2:	9.9	↓
3:	10.3	←
4:	*10.5	↓
5:	10.3	↑
6:	9.5	→
7:	*10.7	↓
8:	*10.7	↑
9:	9.8	→
10:	10.2	↑
Serie		97.0
Total		97.0



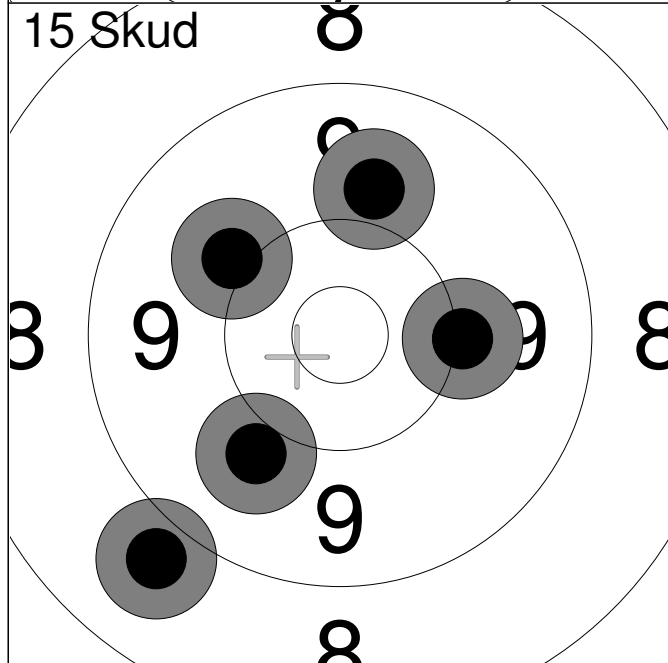
11:	10.1	↑
12:	9.4	↑
13:	10.3	→
14:	10.3	↑
15:	10.4	↓
Serie		49.0
Total		146.0



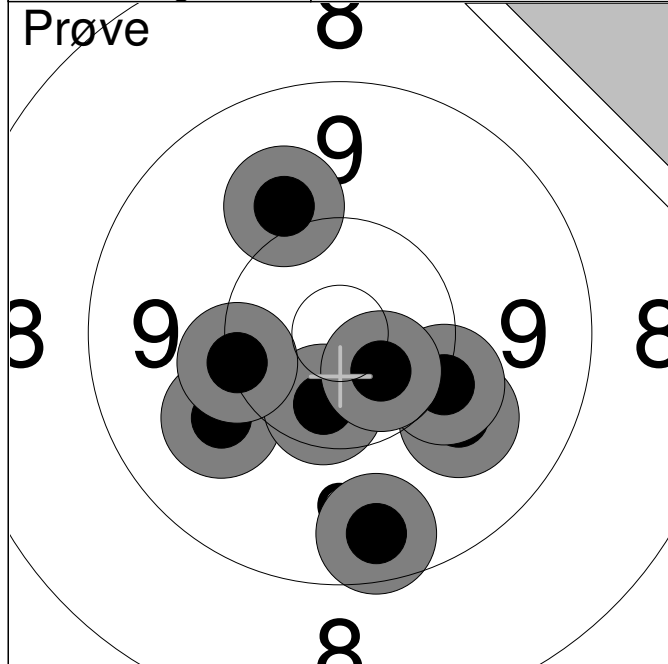
1:	6.9	↖
2:	*10.8	↗
3:	9.4	↑
4:	8.5	↑
5:	10.0	↗
6:	*10.5	↙
7:	10.3	↙
8:	10.2	↑
Serie		73.0
Total		0.0



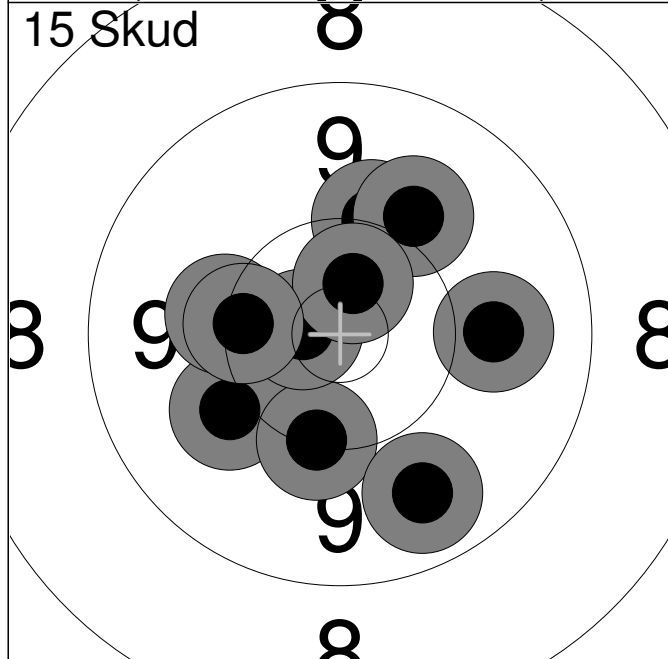
1:	7.9	↑
2:	9.1	↗
3:	9.7	←
4:	10.1	↘
5:	10.2	↗
6:	9.1	↑
7:	9.9	↓
8:	8.0	↖
9:	9.4	↑
10:	10.3	↙
Serie		90.0
Total		90.0



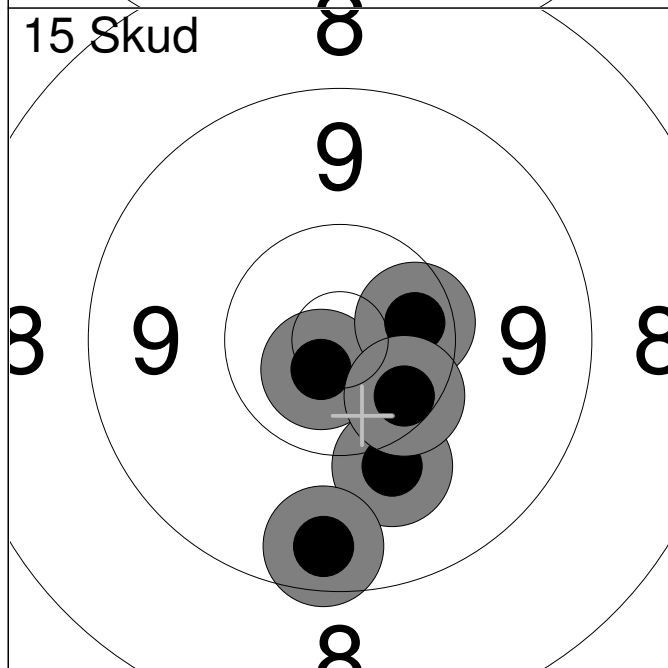
11:	9.9	↑
12:	8.9	↙
13:	10.0	↙
14:	10.0	↗
15:	10.1	→
Serie		47.0
Total		137.0



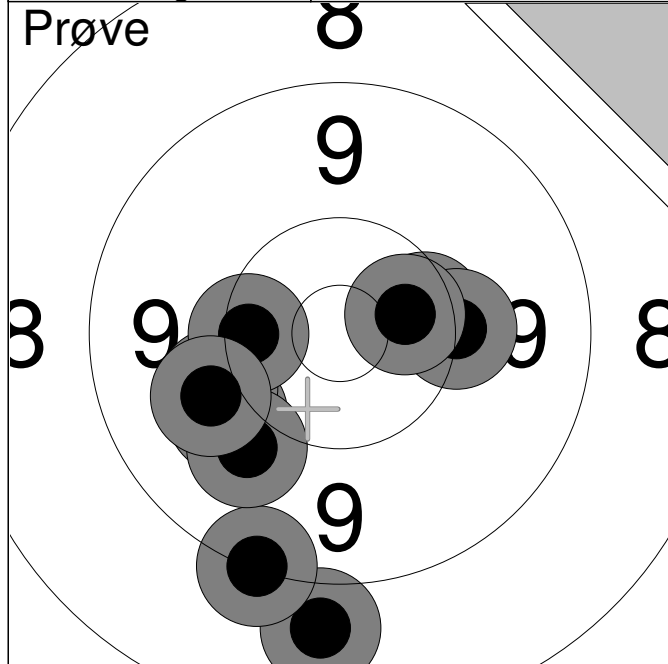
1:	10.0	↘
2:	10.0	↙
3:	10.0	↗
4:	*10.5	↘
5:	9.5	↘
6:	10.2	↘
7:	10.2	↙
8:	*10.6	↘
Serie		79.0
Total		0.0



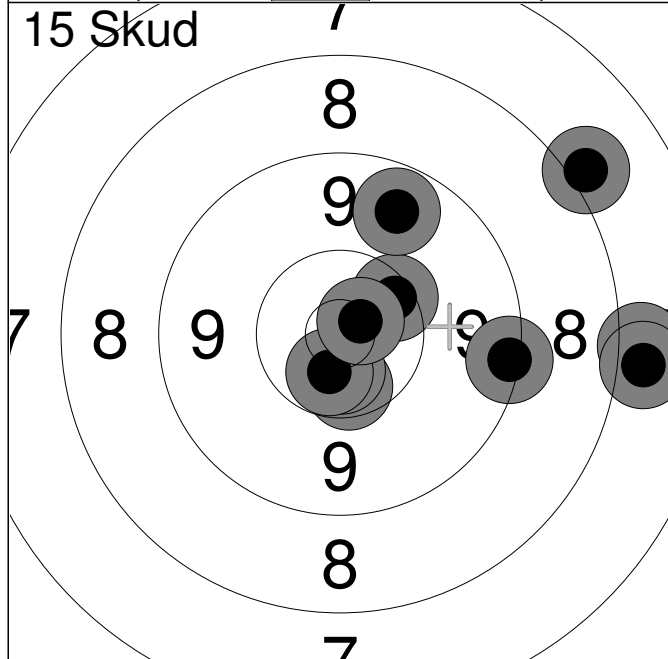
1:	10.1	↗
2:	10.0	↙
3:	10.2	↘
4:	*10.7	↙
5:	9.7	↘
6:	10.2	↙
7:	10.0	↗
8:	*10.6	↗
9:	10.3	↙
10:	9.9	→
Serie		98.0
Total		98.0



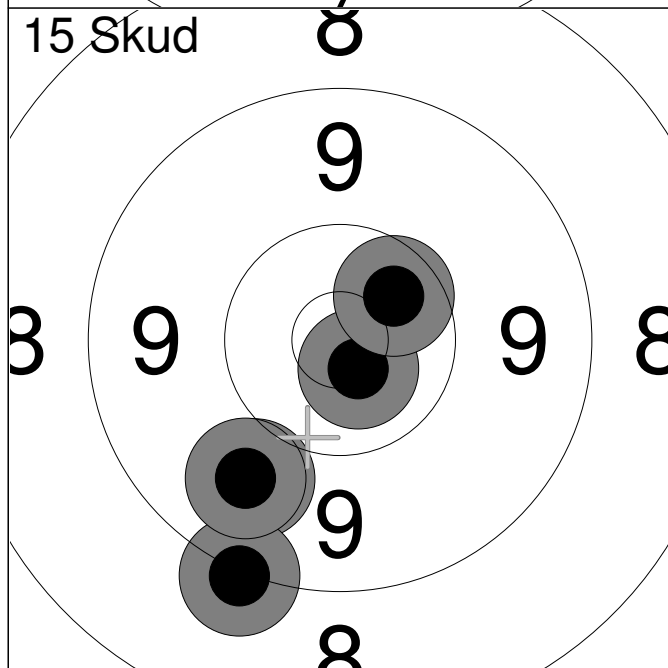
11:	*10.7	↙
12:	10.0	↘
13:	*10.4	→
14:	9.5	↘
15:	10.4	↘
Serie		49.0
Total		147.0



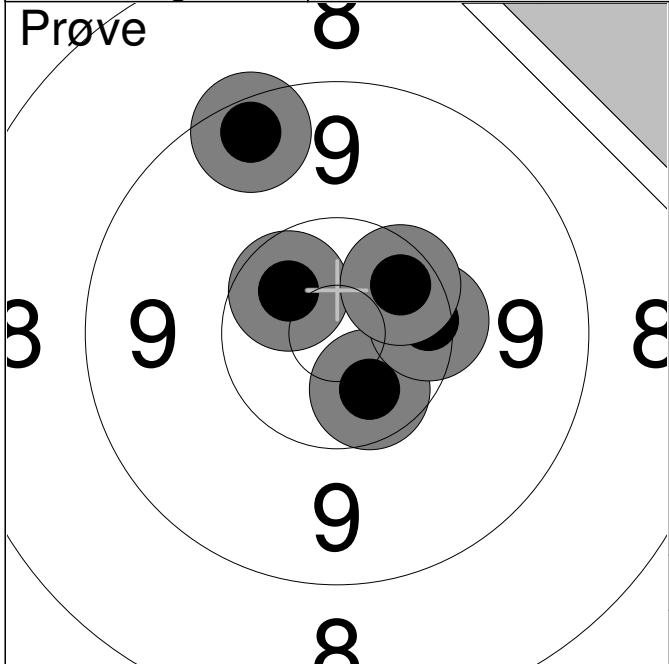
1:	8.8	↓
2:	9.2	↓
3:	10.0	↙
4:	10.0	↙
5:	9.9	↙
6:	10.4	→
7:	10.3	←
8:	10.2	→
9:	10.0	↙
10:	*10.5	→
Serie		96.0
Total		0.0



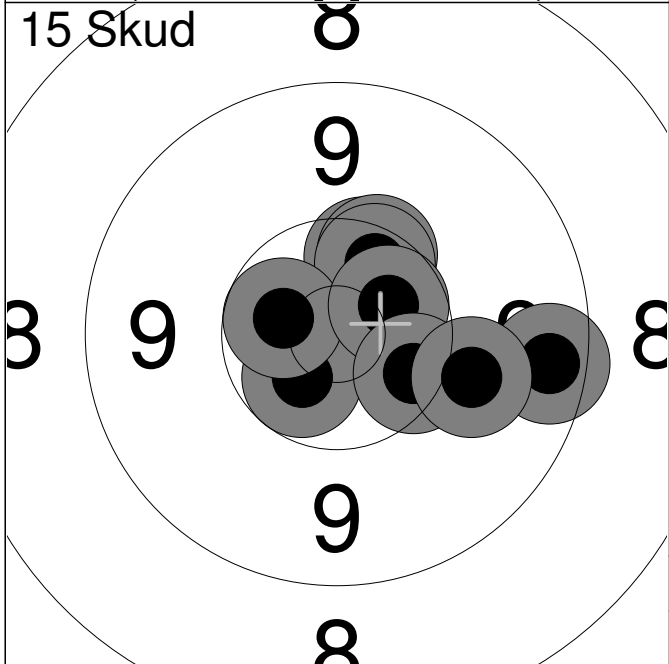
1:	*10.4	↓
2:	10.3	↗
3:	*10.6	↓
4:	*10.6	↓
5:	*10.7	↗
6:	8.0	↗
7:	9.6	↗
8:	7.9	→
9:	9.3	→
10:	7.9	→
Serie		90.0
Total		90.0



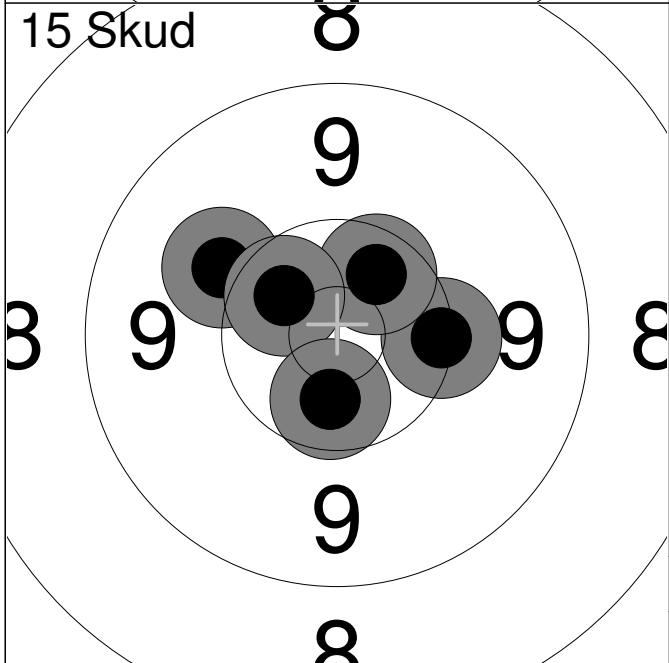
11:	*10.7	↓
12:	9.8	↙
13:	9.1	↙
14:	9.8	↙
15:	*10.5	↗
Serie		47.0
Total		137.0



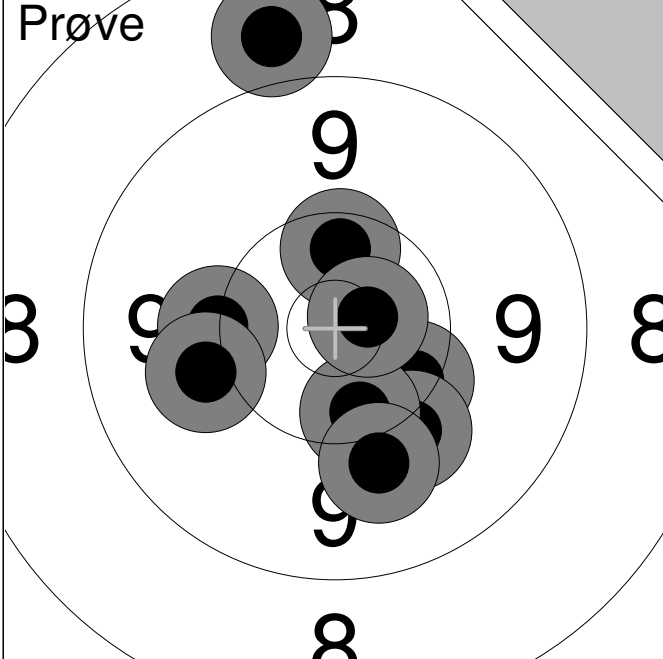
1:	*10.5	↗
2:	*10.5	↘
3:	10.3	→
4:	9.4	↗
5:	10.4	↗
Serie		49.0
Total		0.0



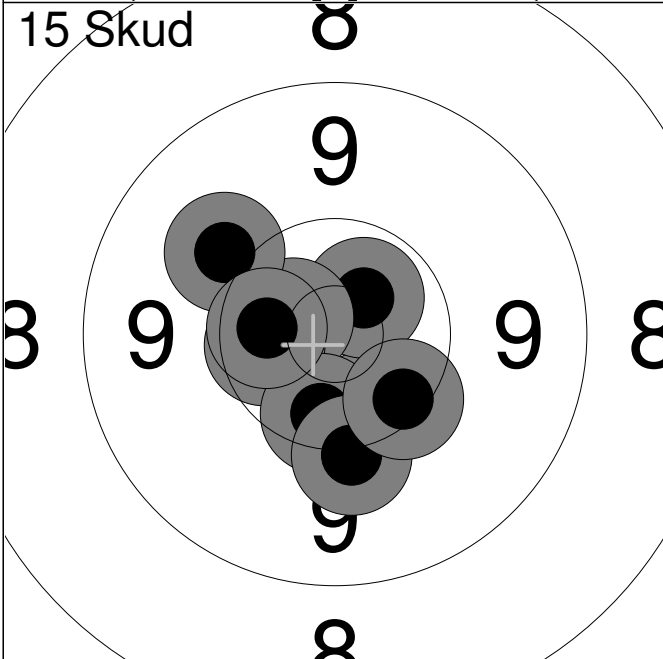
1:	10.4	↗
2:	*10.8	→
3:	10.3	↗
4:	9.4	→
5:	10.4	↗
6:	*10.6	↘
7:	*10.6	↗
8:	*10.5	↗
9:	10.4	↘
10:	10.0	→
Serie		99.0
Total		99.0



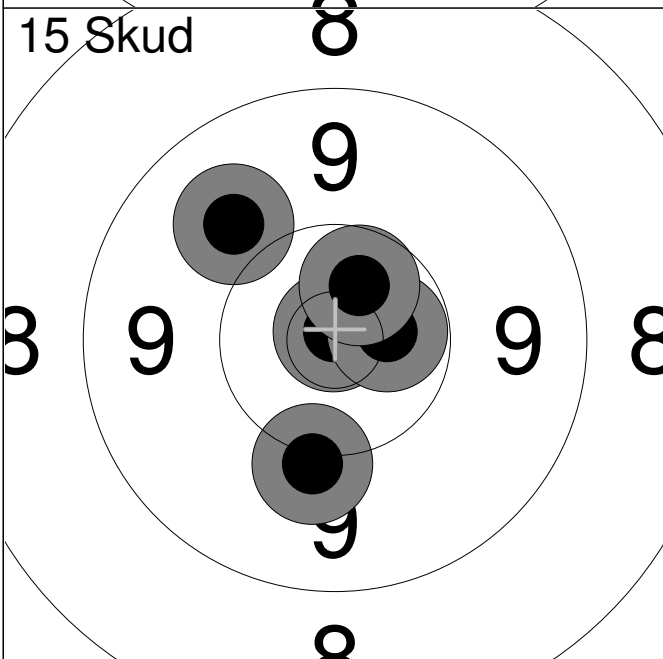
11:	10.0	↗
12:	10.2	→
13:	*10.5	↗
14:	*10.5	↗
15:	*10.5	↘
Serie		50.0
Total		149.0



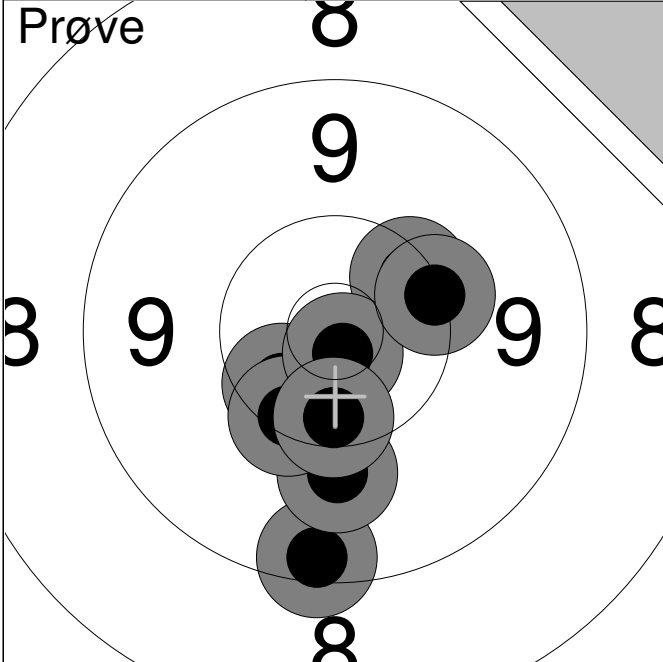
1:	8.8	↑
2:	10.1	←
3:	10.3	↘
4:	10.1	↘
5:	10.4	↘
6:	10.0	↘
7:	10.4	↑
8:	10.0	←
9:	*10.7	→
Serie		88.0
Total		0.0



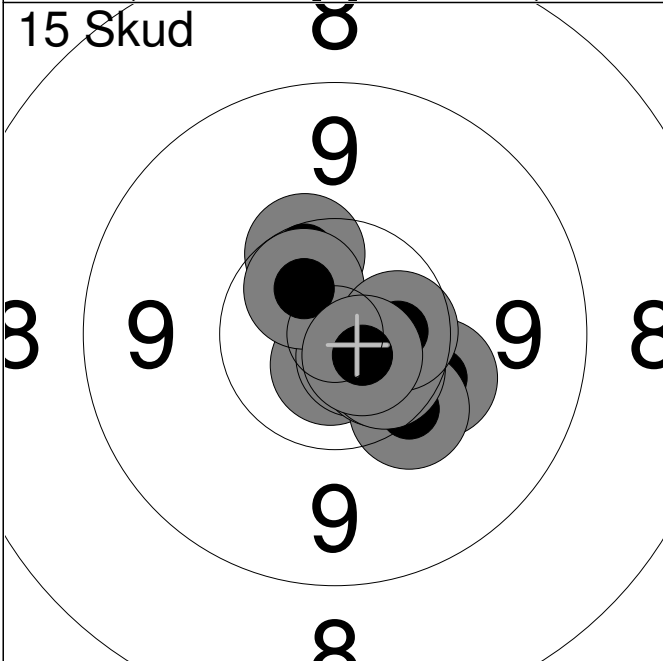
1:	*10.5	←
2:	10.4	↘
3:	*10.6	↗
4:	*10.6	←
5:	*10.5	←
6:	10.0	↗
7:	10.4	↘
8:	10.1	↘
9:	10.3	↘
10:	*10.5	←
Serie		100.0
Total		100.0



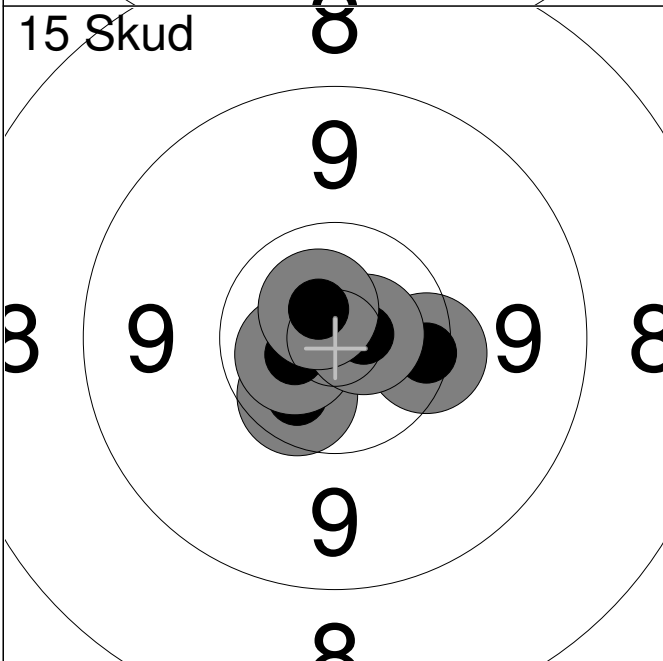
11:	9.9	↗
12:	*10.9	↑
13:	*10.6	→
14:	10.1	↘
15:	*10.5	↗
Serie		49.0
Total		149.0



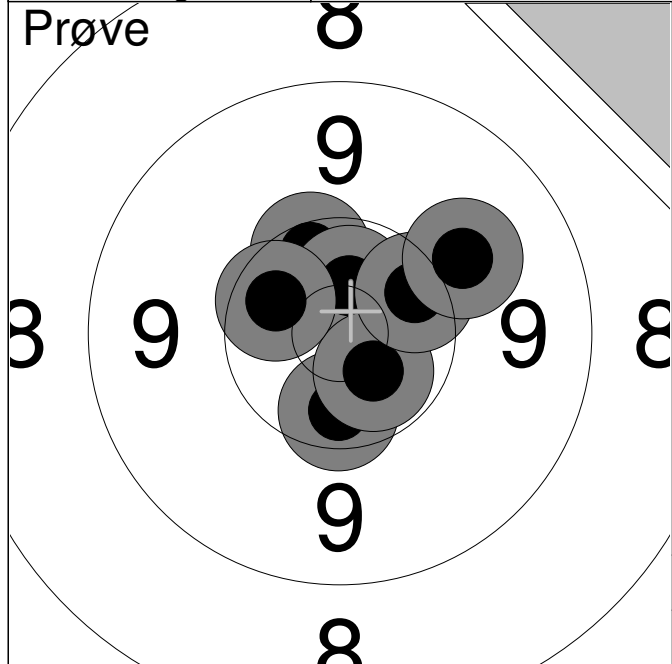
1:	9.4		↓
2:	10.0		↓
3:	*10.4		↙
4:	10.3		↗
5:	10.3		↙
6:	*10.8		↓
7:	10.4		↓
8:	10.2		↗
Serie			79.0
Total			0.0



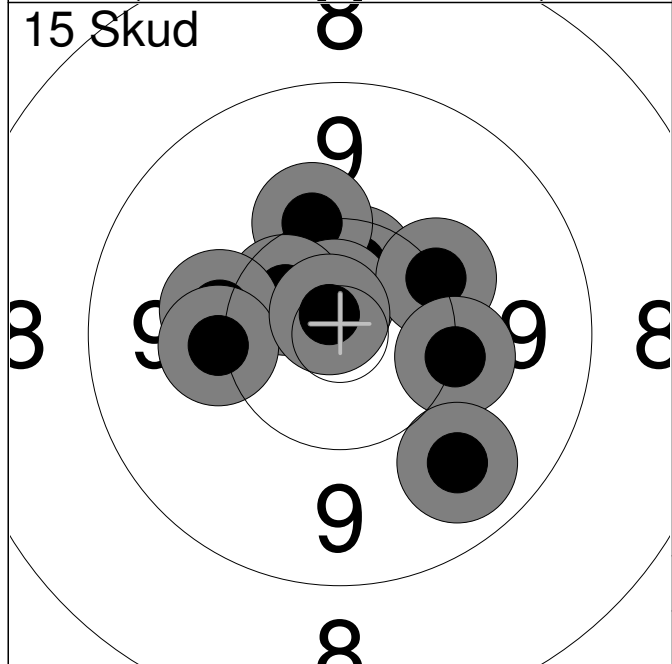
1:	*10.7		↓
2:	10.4		↗
3:	10.2		↘
4:	10.2		↘
5:	*10.7		↘
6:	*10.6		↘
7:	*10.6		↗
8:	*10.5		↓
9:	*10.5		→
10:	*10.7		↓
Serie			100.0
Total			100.0



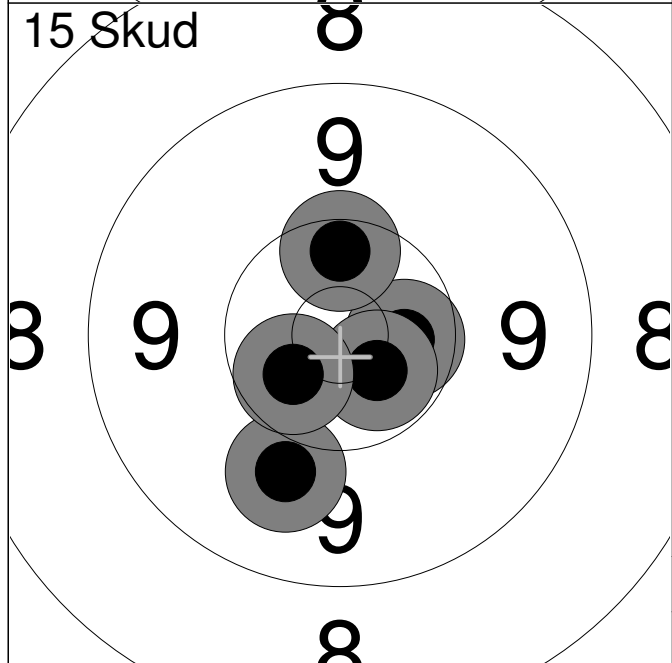
11:	*10.5		↙
12:	*10.7		↙
13:	10.3		→
14:	*10.8		→
15:	*10.7		↗
Serie			50.0
Total			150.0



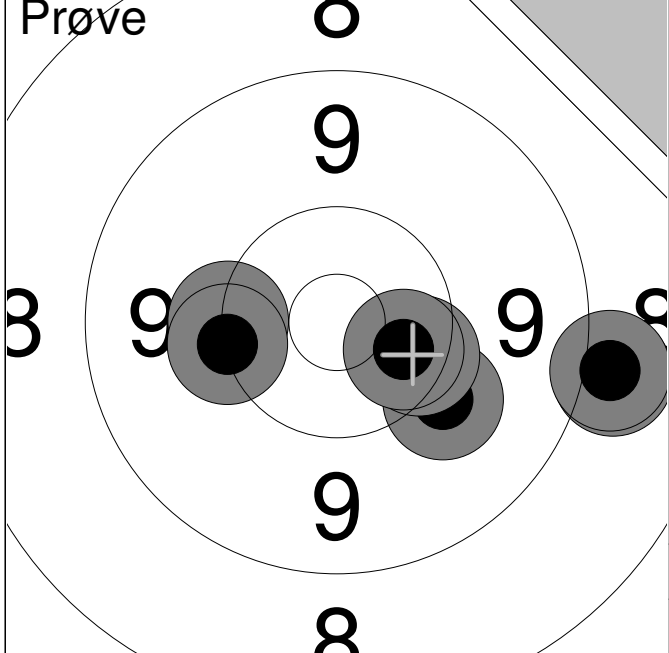
1:	10.4	↑
2:	*10.4	↓
3:	*10.6	↑
4:	*10.6	↓
5:	10.4	↗
6:	10.0	↗
7:	*10.5	↖
Serie		70.0
Total		0.0



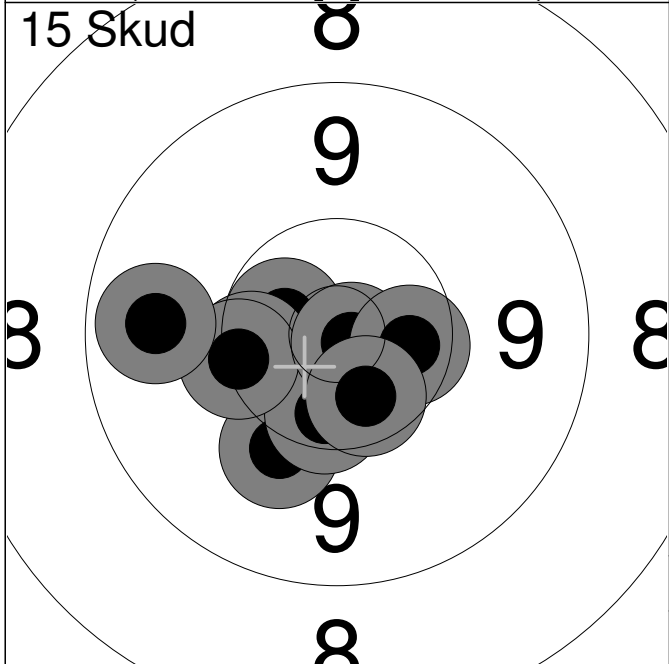
1:	*10.5	↑
2:	10.2	↑
3:	*10.7	↑
4:	*10.5	↗
5:	10.1	↖
6:	10.2	↗
7:	10.1	→
8:	10.1	←
9:	9.7	↓
10:	*10.8	↗
Serie		99.0
Total		99.0



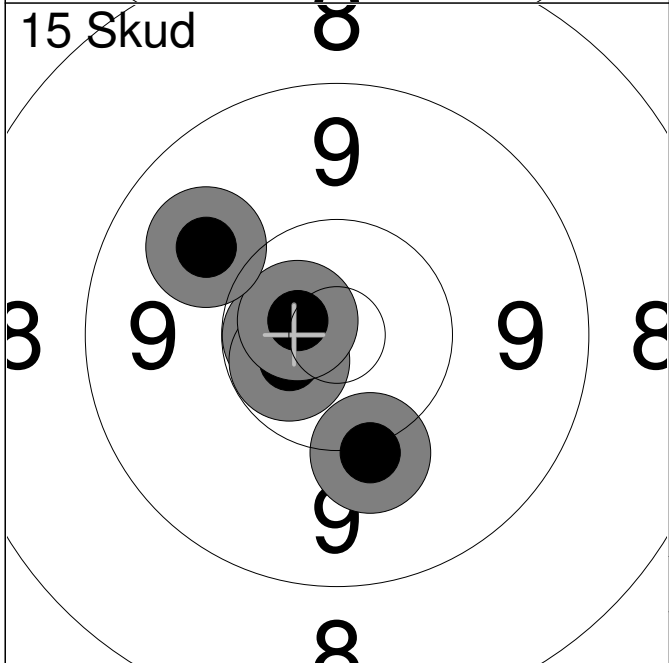
11:	9.9	↓
12:	*10.5	→
13:	*10.6	↓
14:	10.4	↑
15:	*10.5	↖
Serie		49.0
Total		148.0



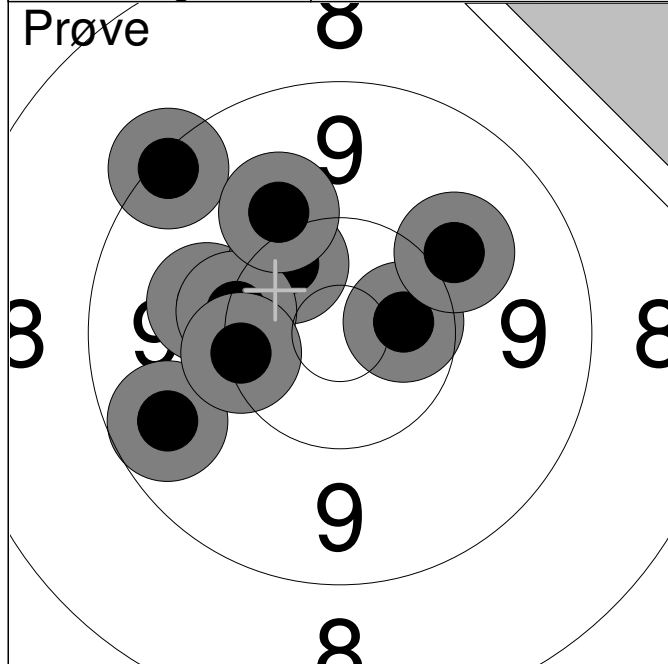
1:	10.2	←
2:	9.0	→
3:	9.0	→
4:	10.1	↘
5:	10.3	↘
6:	10.2	←
7:	*10.5	↘
Serie		68.0
Total		0.0



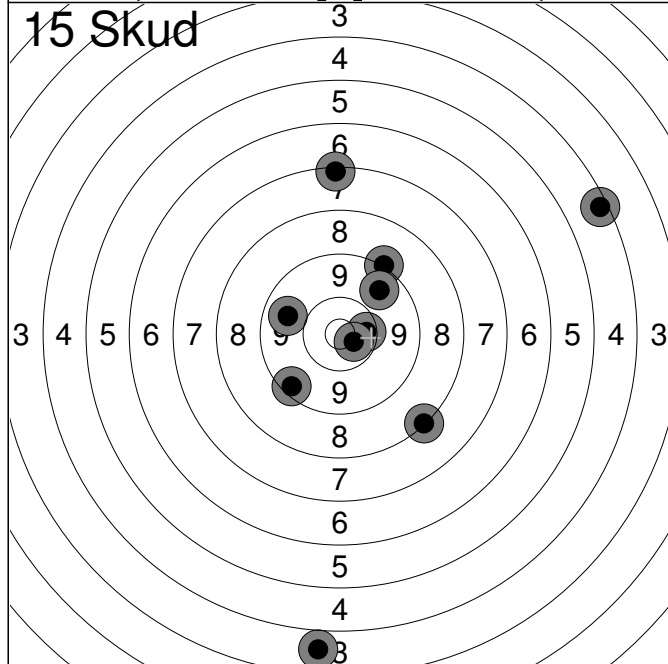
1:	*10.6	↖
2:	10.1	↘
3:	*10.6	↘
4:	10.4	←
5:	10.4	↘
6:	10.3	←
7:	*10.8	↘
8:	*10.4	→
9:	*10.5	↘
10:	9.7	←
Serie		99.0
Total		99.0



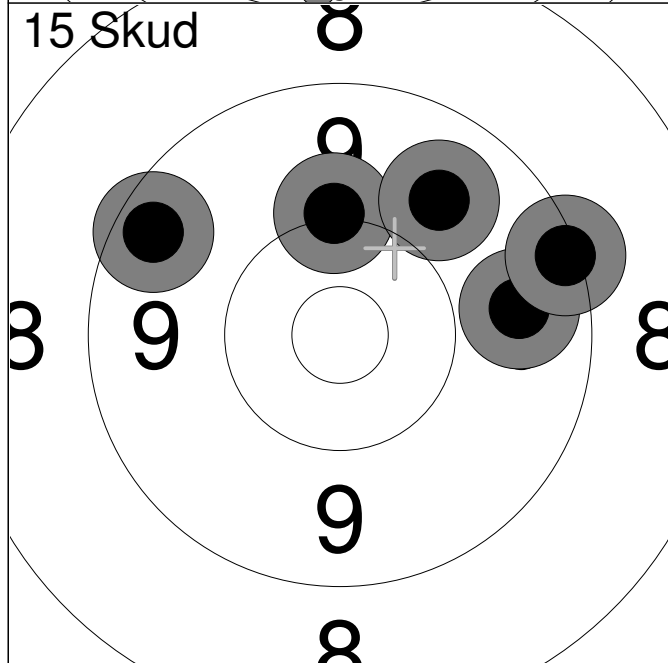
11:	*10.6	←
12:	10.1	↘
13:	*10.6	←
14:	*10.7	↖
15:	9.9	↖
Serie		49.0
Total		148.0



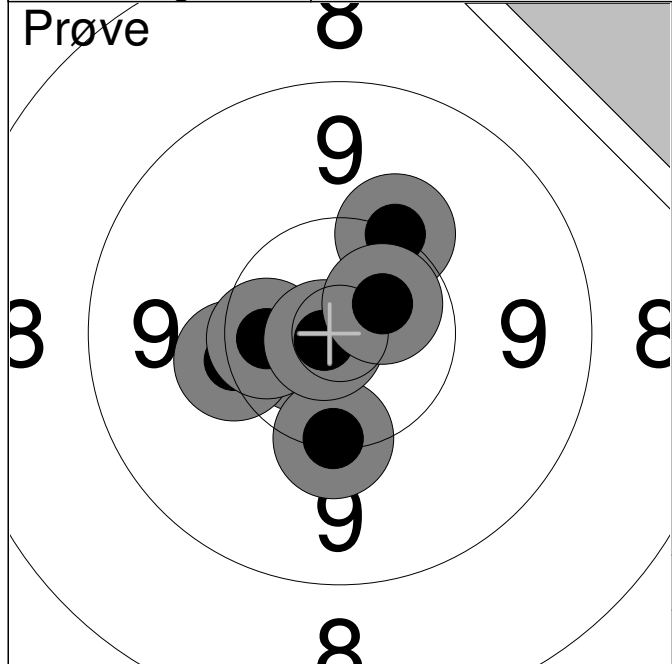
1:	9.6	←
2:	10.0	←
3:	9.3	↗
4:	10.4	↗
5:	10.2	←
6:	10.0	↗
7:	*10.5	→
8:	10.0	↗
9:	10.3	←
Serie		88.0
Total		0.0



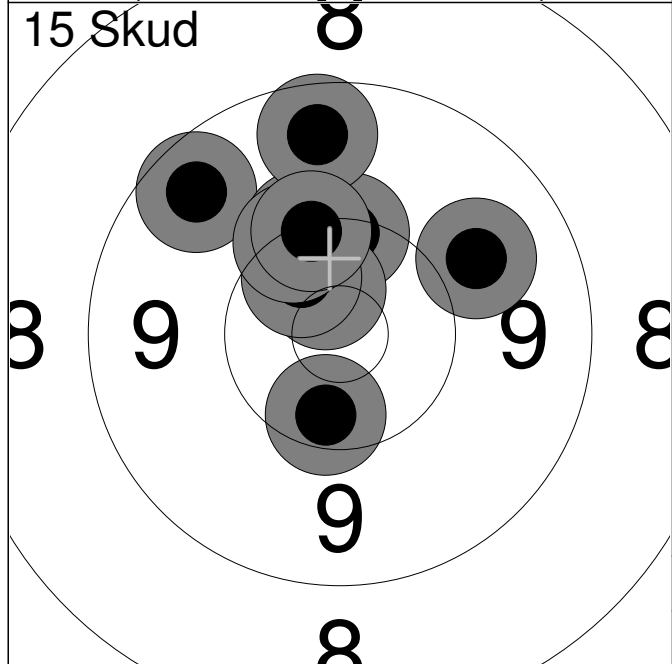
1:	9.1	↗
2:	10.4	→
3:	9.7	↗
4:	9.8	←
5:	*10.6	↘
6:	4.4	↗
7:	9.4	↙
8:	7.3	↑
9:	3.7	↓
10:	8.2	↘
Serie		78.0
Total		78.0



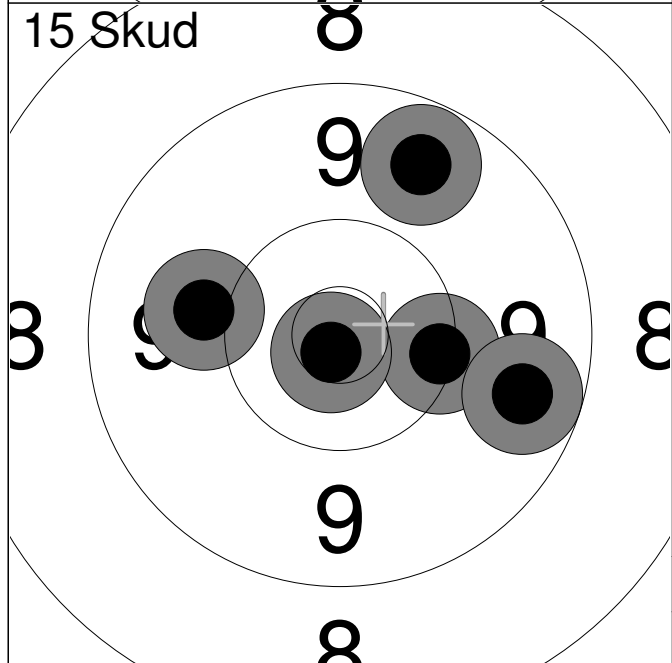
11:	9.7	→
12:	9.3	→
13:	9.5	←
14:	10.1	↑
15:	9.8	↗
Serie		46.0
Total		124.0



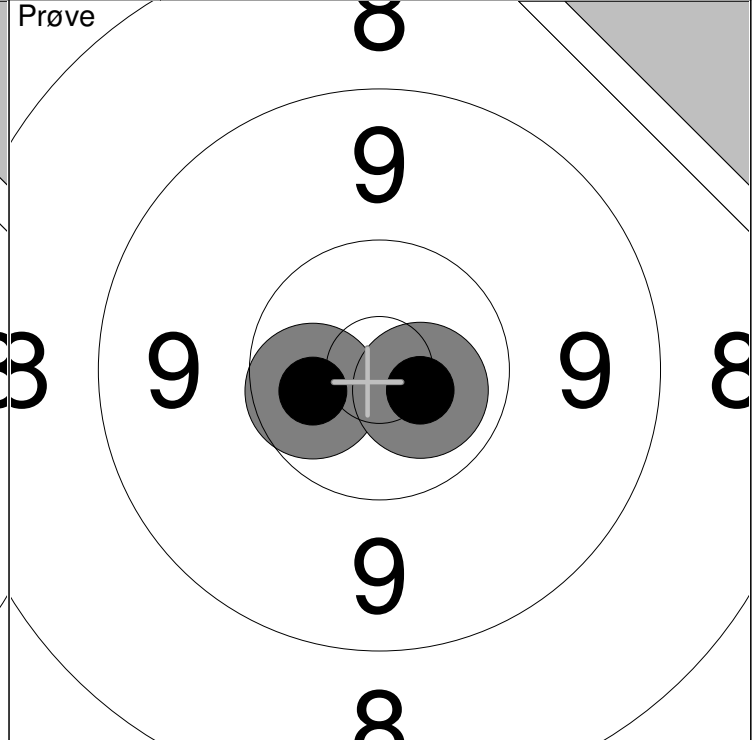
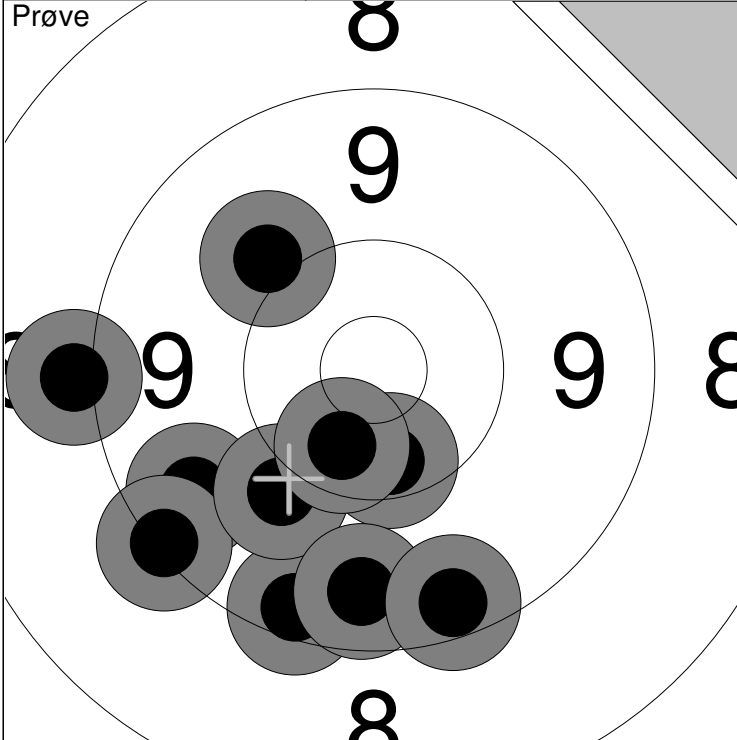
1:	*10.7	←
2:	10.2	↓
3:	10.2	↗
4:	10.2	←
5:	*10.4	←
6:	*10.8	←
7:	*10.6	↗
Serie		70.0
Total		0.0



1:	10.3	↑
2:	10.4	↓
3:	*10.6	↑
4:	9.5	↗
5:	*10.5	↗
6:	10.2	↗
7:	9.9	↗
8:	10.2	↗
9:	9.5	↑
10:	10.2	↑
Serie		97.0
Total		97.0

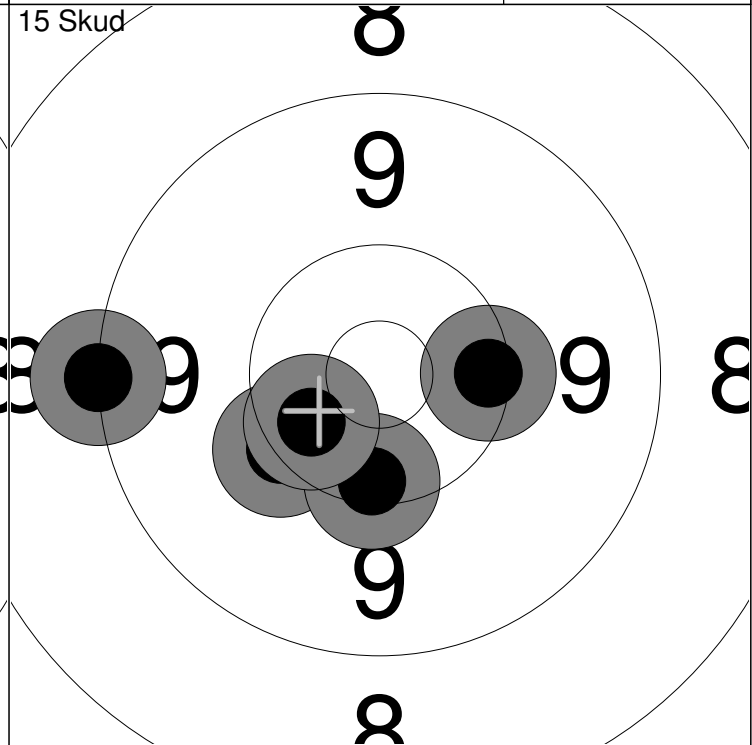
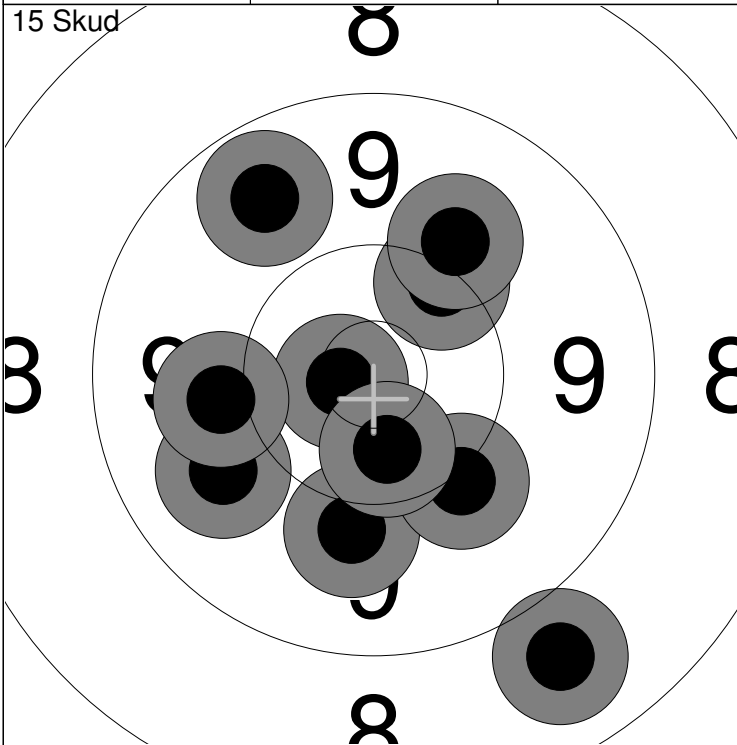


11:	10.3	→
12:	9.6	↗
13:	9.6	→
14:	*10.8	↙
15:	10.0	←
Serie		48.0
Total		145.0



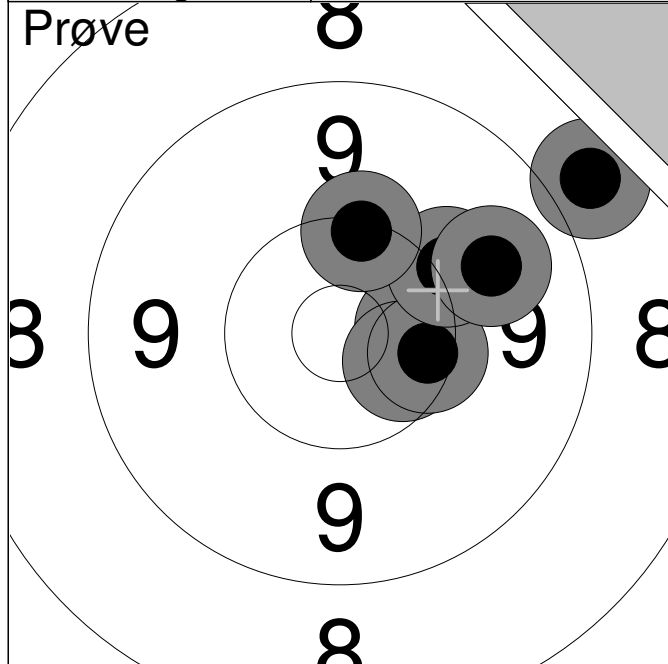
1: 9.1 ←	6: 10.0 ↙	Serie	94.0
2: 9.4 ↓	7: 10.0 ↗		
3: 9.6 ←	8: *10.4 ↓	Total	0.0
4: 10.4 ↓	9: 9.6 ↓		
5: 9.2 ↙	10: 9.4 ↓		

11: *10.5 ←	Serie	20.0
12: *10.7 ↘		
Total		0.0

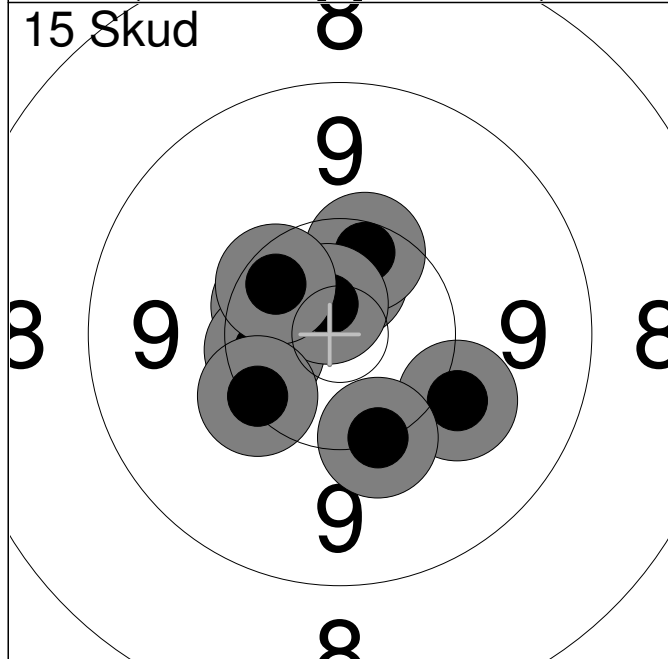


1: 9.9 ↙	6: *10.5 ↓	Serie	96.0
2: 10.0 ↓	7: 10.3 ↗		
3: 10.1 ↓	8: 10.0 ↗	Total	96.0
4: 8.8 ↓	9: 9.7 ↗		
5: *10.7 ←	10: 10.0 ←		

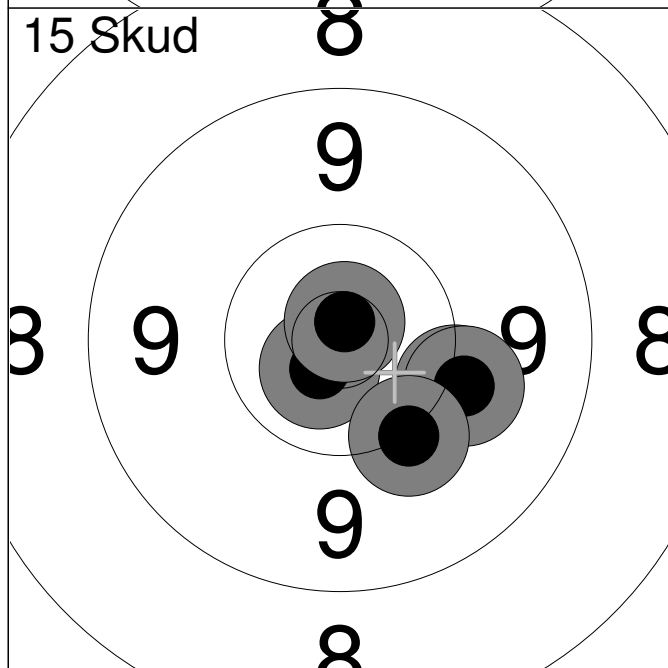
11: 10.2 ↙	Serie	49.0
12: 10.3 ↓		
13: *10.4 ↙	Total	145.0
14: 10.3 →		
15: 9.2 ←		



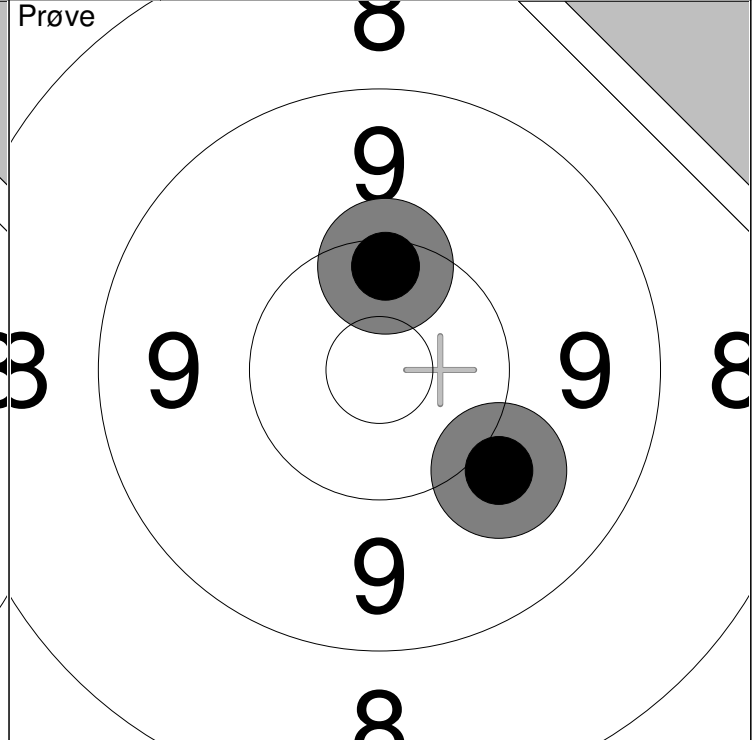
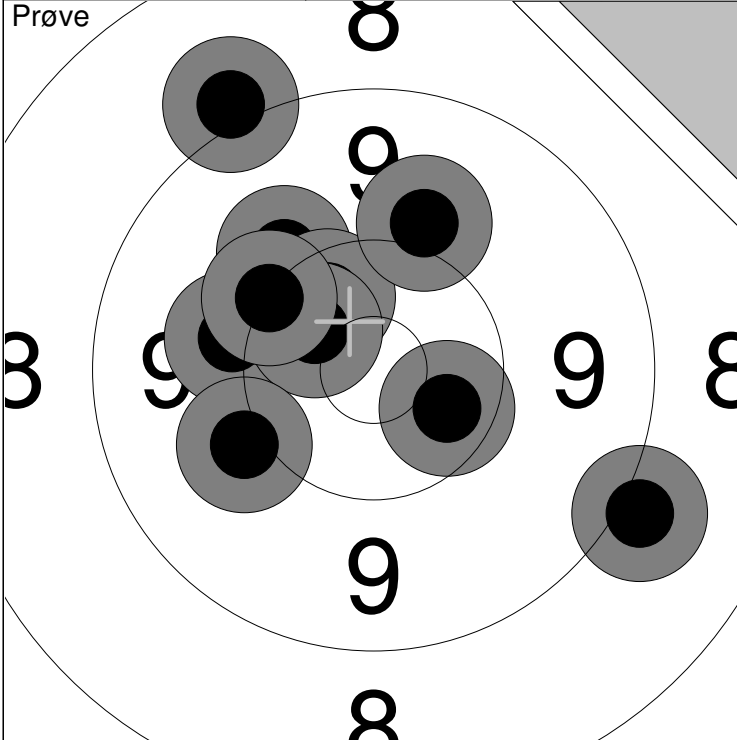
1:	8.9	↗
2:	*10.4	→
3:	*10.5	↘
4:	10.3	→
5:	10.1	↗
6:	9.8	↗
7:	10.2	↑
Serie		67.0
Total		0.0



1:	*10.7	↑
2:	*10.4	↖
3:	*10.6	↑
4:	10.4	↑
5:	*10.4	↖
6:	*10.7	↗
7:	10.0	↘
8:	10.4	↗
9:	10.2	↘
10:	10.2	↖
Serie		100.0
Total		100.0

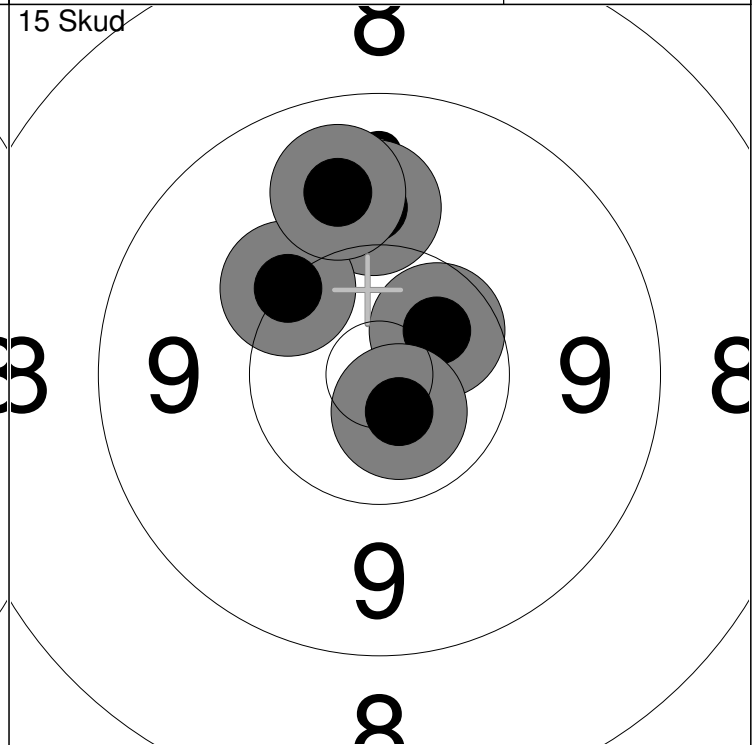
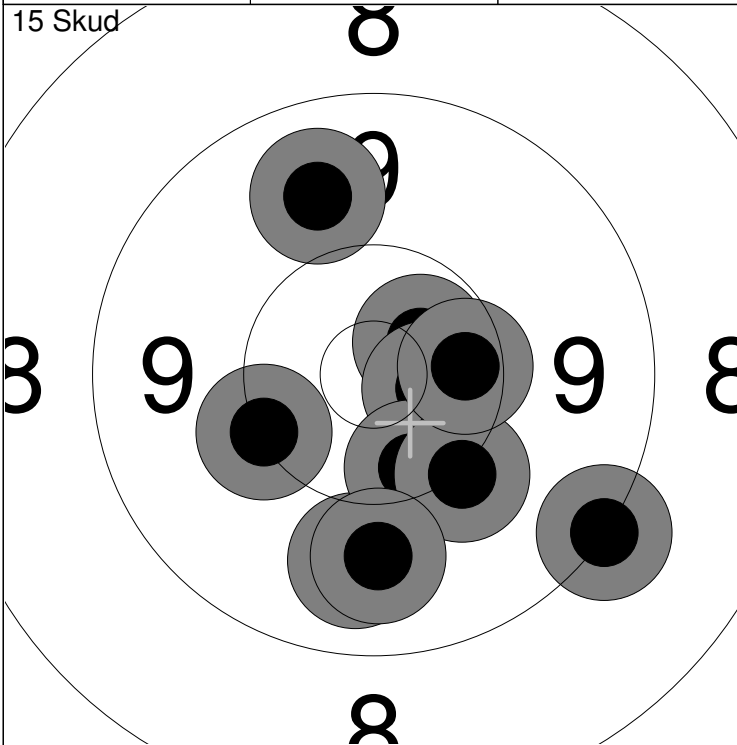


11:	*10.7	↘
12:	10.1	→
13:	10.0	↘
14:	*10.8	↑
15:	10.1	↘
Serie		50.0
Total		150.0



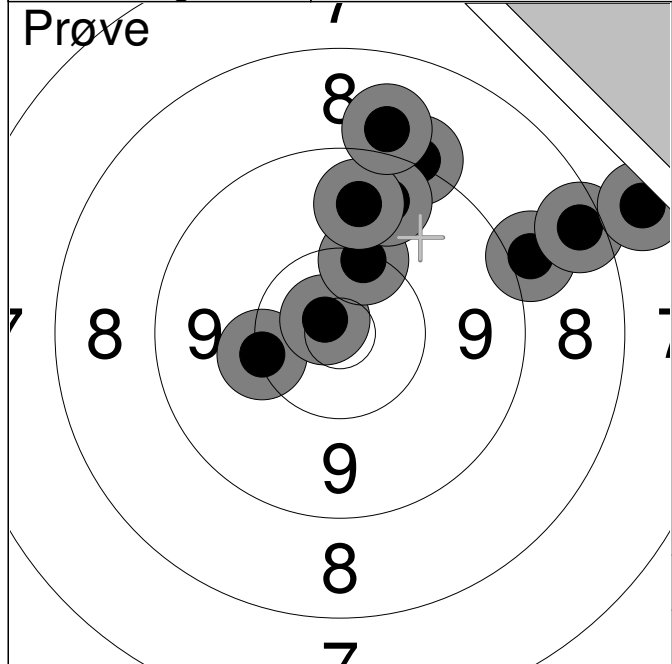
1: 9.0 ↘	6: 10.0 ↗	Serie	98.0
2: 10.1 ↗	7: 10.1 ↖		Total
3: *10.4 ↗	8: *10.5 ↗		
4: *10.4 ↘	9: 10.2 ↗		
5: 9.0 ↗	10: 10.0 ↖		

11: 10.0 ↘	Serie	20.0
12: 10.3 ↗		Total

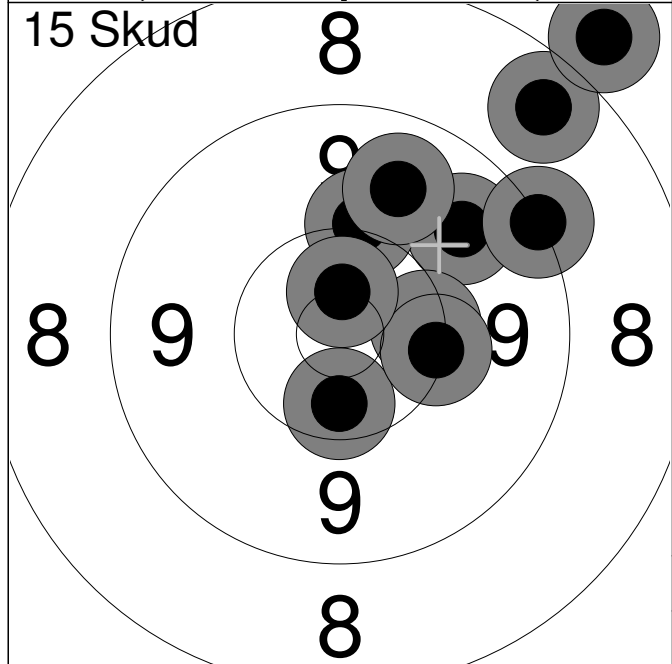


1: *10.6 ↗	6: 10.1 ↘	Serie	96.0
2: 9.8 ↘	7: 10.4 →		Total
3: *10.6 →	8: 9.8 ↘		
4: 10.3 ↘	9: 10.2 ↖		
5: 9.2 ↘	10: 9.8 ↗		

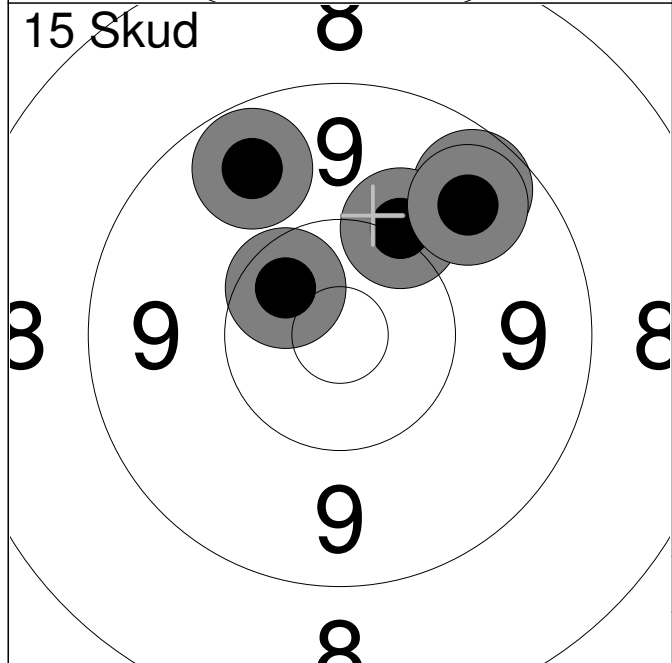
11: 9.9 ↗	Serie	48.0
12: 10.2 ↖		Total
13: 9.8 ↗		
14: *10.5 ↗		
15: *10.7 ↘		



1:	9.1	↗
2:	9.0	→
3:	8.4	→
4:	10.2	←
5:	*10.8	↖
6:	10.2	↑
7:	9.6	↑
8:	7.7	→
9:	9.7	↑
10:	8.9	↑
Serie		89.0
Total		0.0



1:	9.7	↗
2:	10.3	→
3:	*10.4	↓
4:	10.2	→
5:	8.6	↗
6:	10.1	↑
7:	7.8	↗
8:	9.2	→
9:	*10.6	↑
10:	9.8	↑
Serie		92.0
Total		92.0



11:	9.6	↗
12:	9.6	↖
13:	*10.5	↖
14:	10.1	↗
15:	9.7	↗
Serie		47.0
Total		139.0

Hold
20

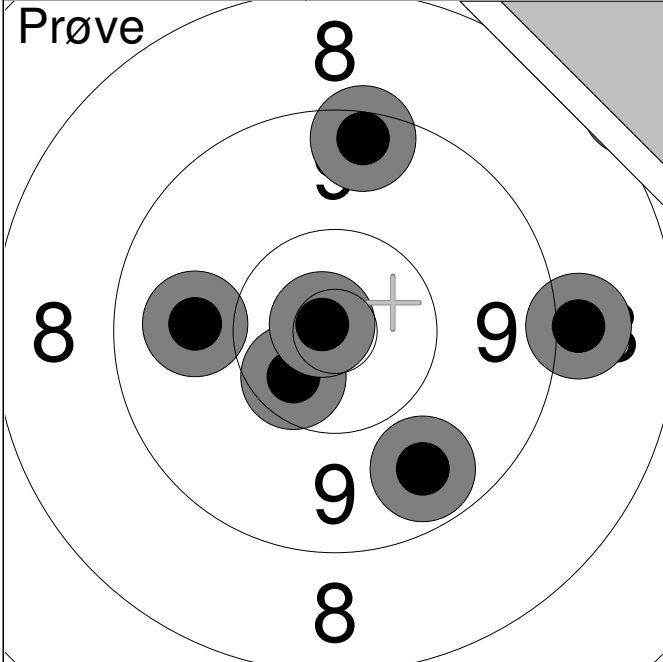
Skive
7

Morten Aagaard Christensen

Vilsted Skf.

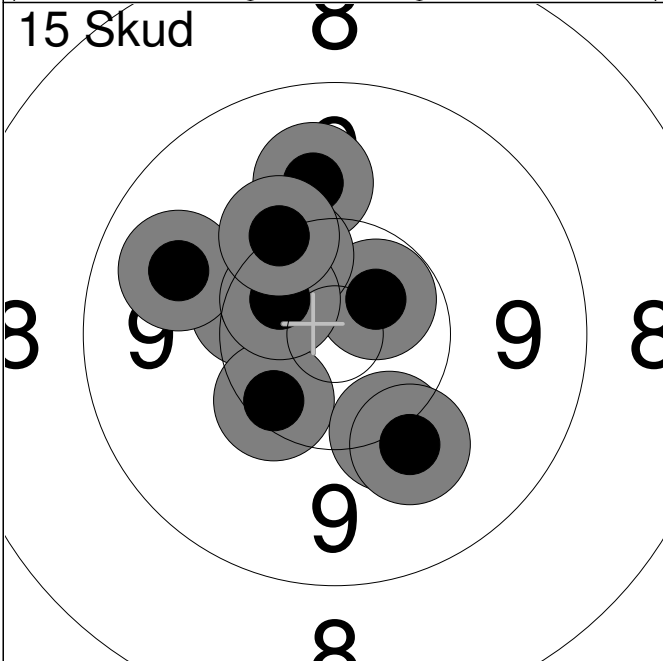
27. - 28. august 2011 NM 2011

Aalborg Skyttekreds



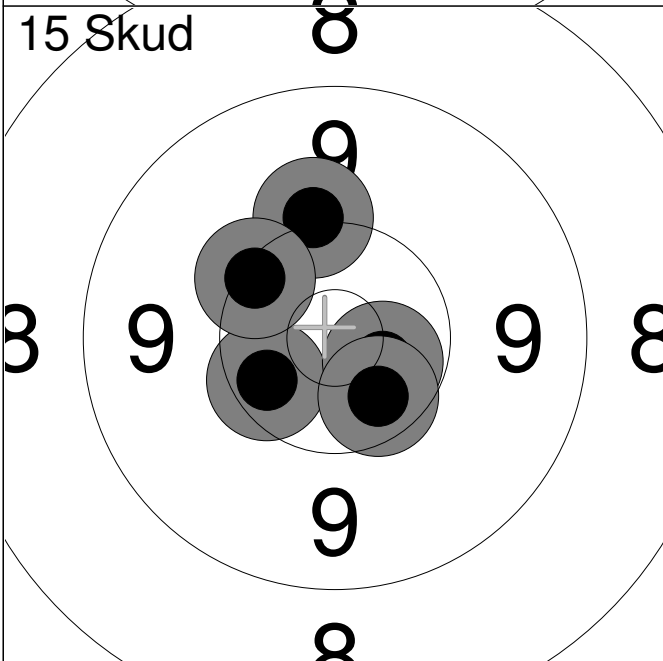
1:	7.9	↗
2:	9.0	→
3:	9.7	↘
4:	9.4	↑
5:	9.9	←
6:	*10.5	↙
7:	*10.8	↖

Serie	63.0
Total	0.0



1:	*10.6	↗
2:	10.3	←
3:	10.3	↘
4:	9.9	↑
5:	10.3	↗
6:	9.8	↗
7:	10.2	↘
8:	*10.5	↗
9:	10.2	↗
10:	10.0	↘

Serie	98.0
Total	98.0



11:	10.4	↙
12:	*10.6	↘
13:	*10.5	↘
14:	10.1	↑
15:	10.3	↗

Serie	50.0
Total	148.0

Hold
20

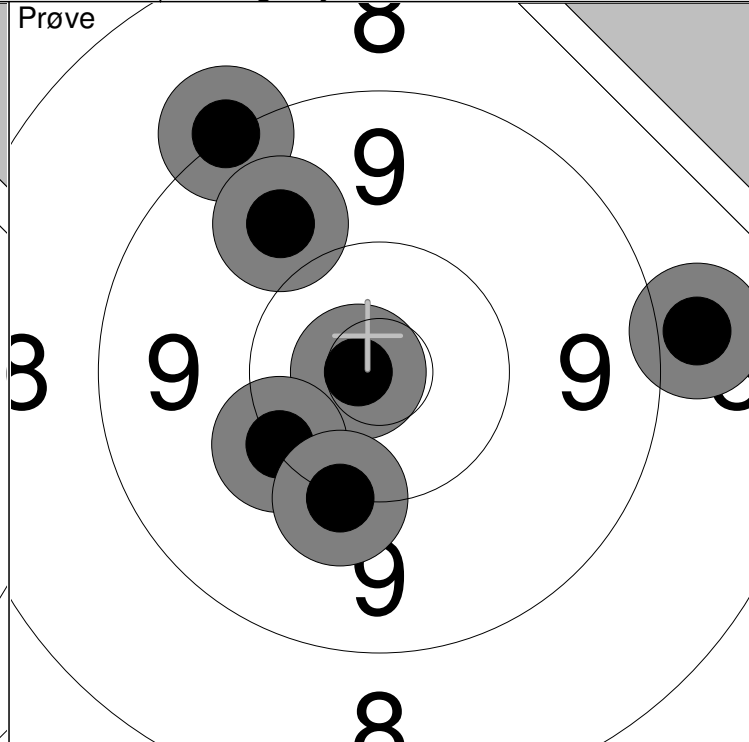
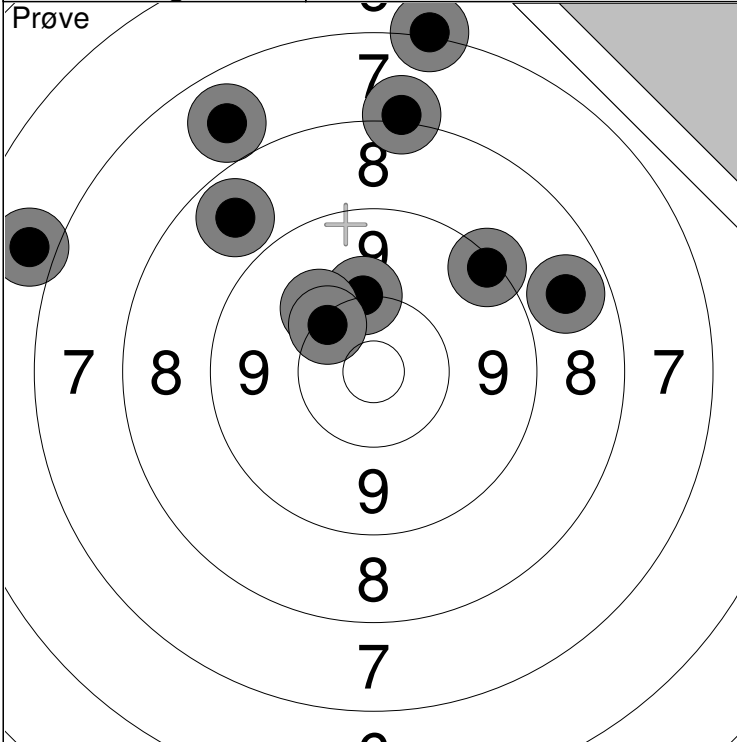
Skive
8

Oliver Munk

Vester Hassing Skf.

27. - 28. august 2011 NM 2011

Aalborg Skyttekreds

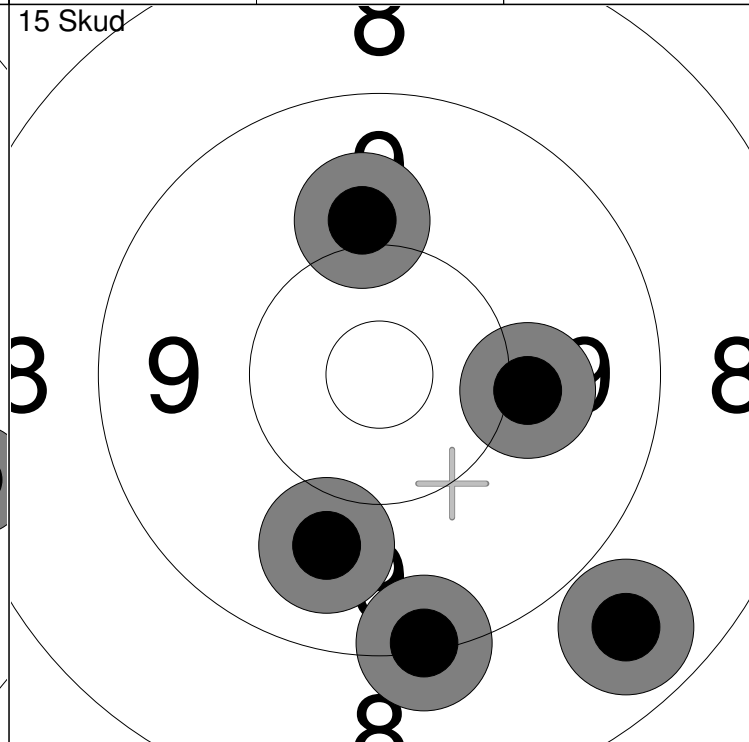
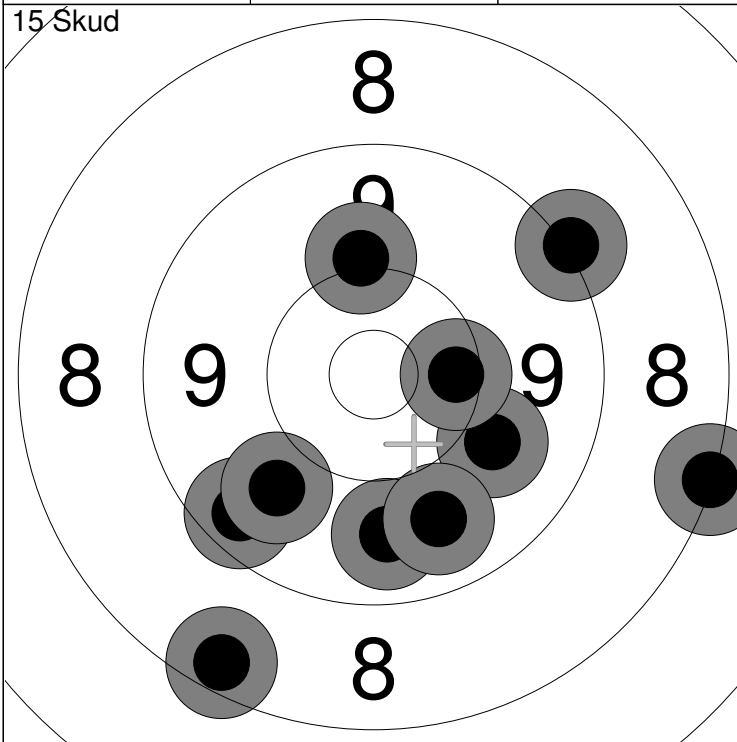


1: 7.7 ↗	6: 8.1 ↑
2: 10.1 ↑	7: 10.1 ↗
3: 8.7 ↗	8: 10.3 ↗
4: 7.1 ↑	9: 8.7 →
5: 6.9 ←	10: 9.3 ↗

Serie	83.0
Total	0.0

11: 9.2 ↗	16: 10.1 ↓
12: *10.8 ←	
13: 9.9 ↗	
14: 10.2 ↖	
15: 8.9 →	

Serie	56.0
Total	0.0

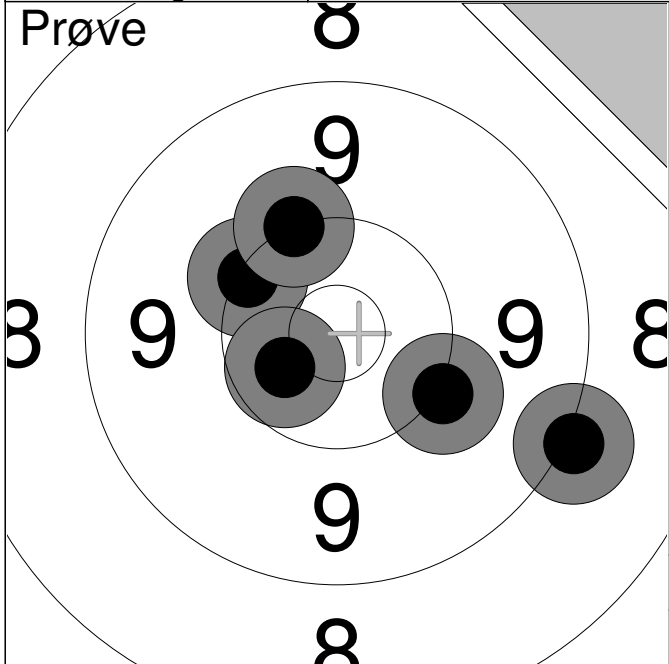


1: 9.7 ↓	6: 9.8 ↖
2: 9.5 ↖	7: 10.1 ↑
3: 9.9 ↘	8: 8.2 →
4: 10.3 →	9: 9.8 ↓
5: 8.4 ↘	10: 9.1 ↗

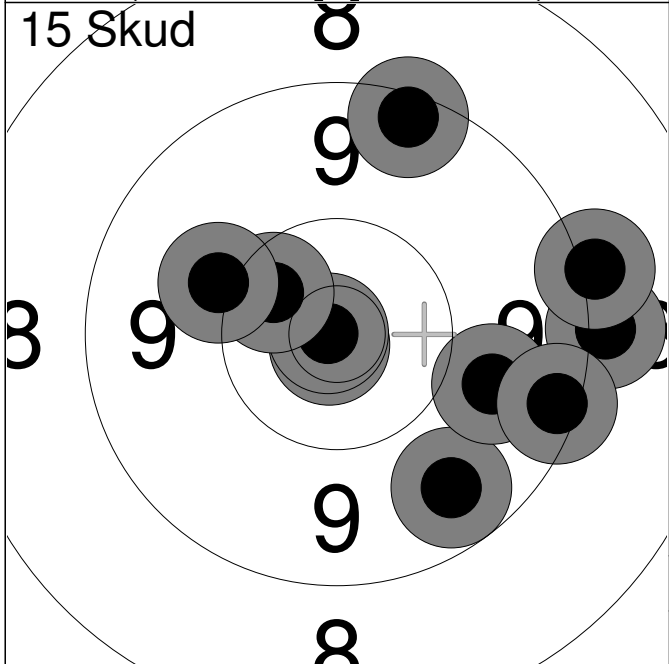
Serie	90.0
Total	90.0

11: 8.7 ↘	
12: 10.0 ↑	
13: 9.9 ↓	
14: 9.2 ↓	
15: 10.0 →	

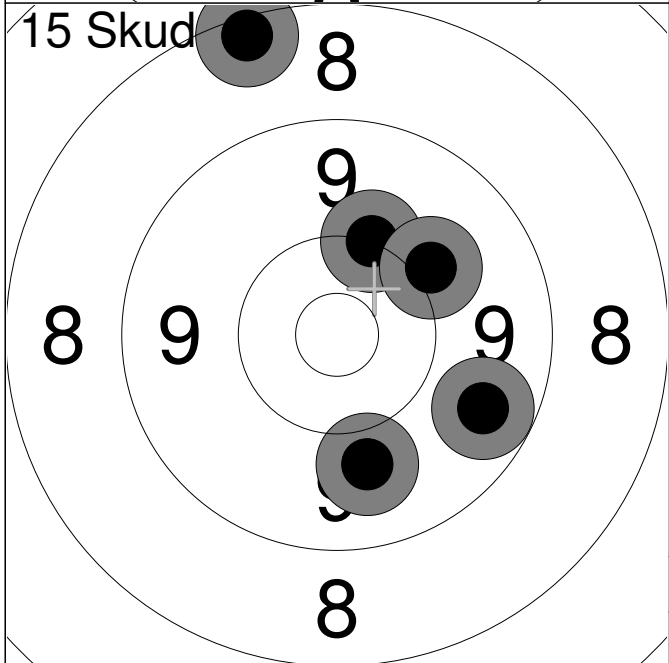
Serie	46.0
Total	136.0



1:	10.2	↗
2:	9.1	↘
3:	10.2	↗
4:	10.1	↘
5:	*10.5	↙
Serie		49.0
Total		0.0



1:	*10.9	↙
2:	9.6	↘
3:	9.3	↗
4:	9.8	↘
5:	*10.9	←
6:	9.0	→
7:	9.3	↘
8:	9.1	→
9:	*10.4	↗
10:	10.1	↗
Serie		94.0
Total		94.0

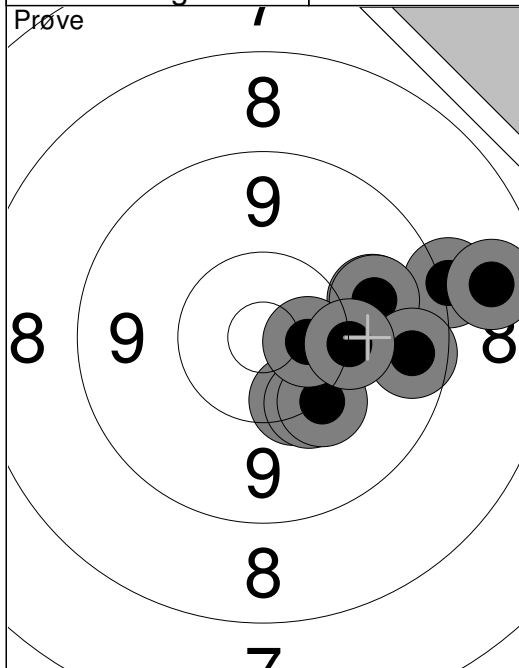


11:	8.3	↗
12:	10.2	↗
13:	9.6	↘
14:	10.0	↗
15:	9.9	↘
Serie		46.0
Total		140.0

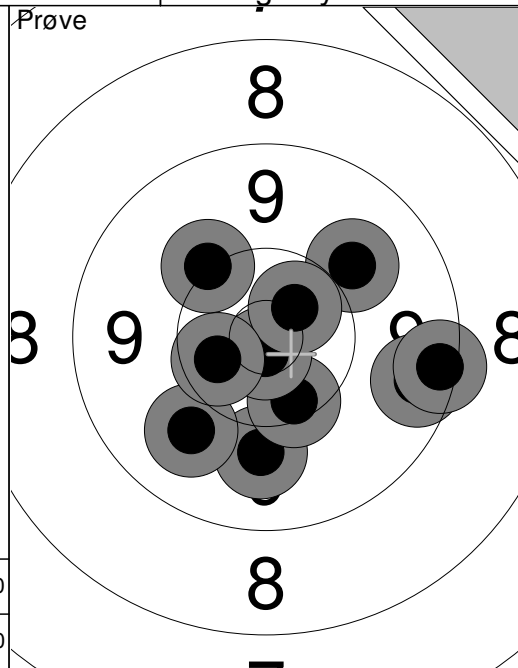
Pandrup Skytteforening

27. - 28. august 2011 NM 2011

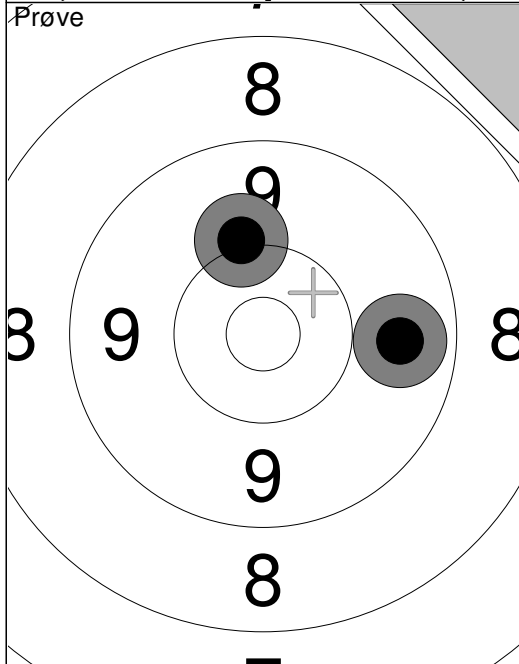
Aalborg Skyttekreds



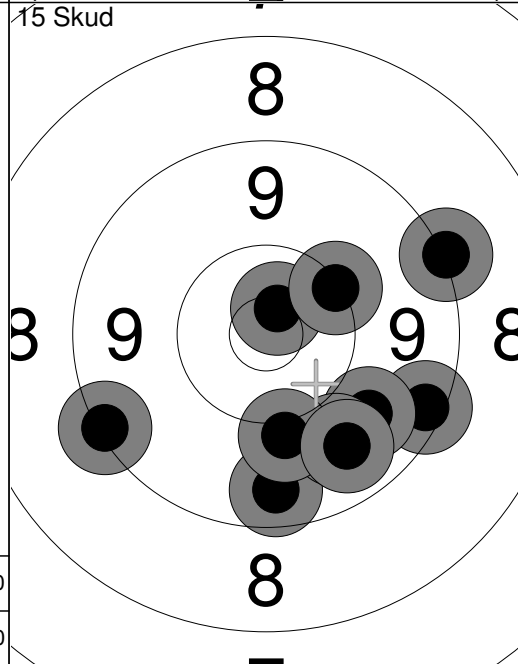
Serie		94.0
Total		0.0



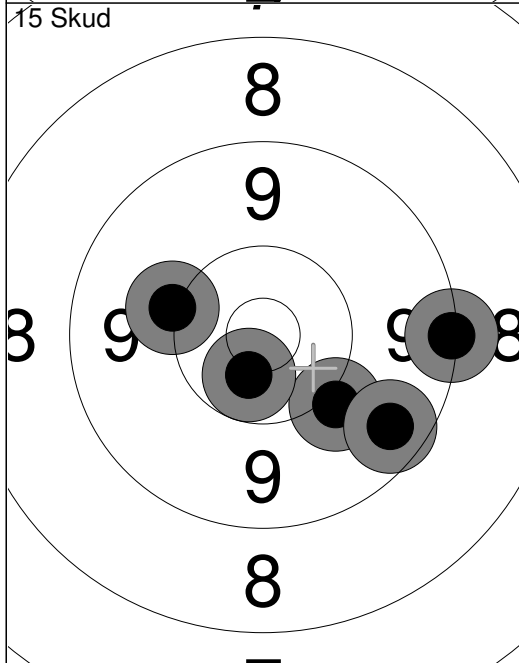
Serie		96.0
Total		0.0



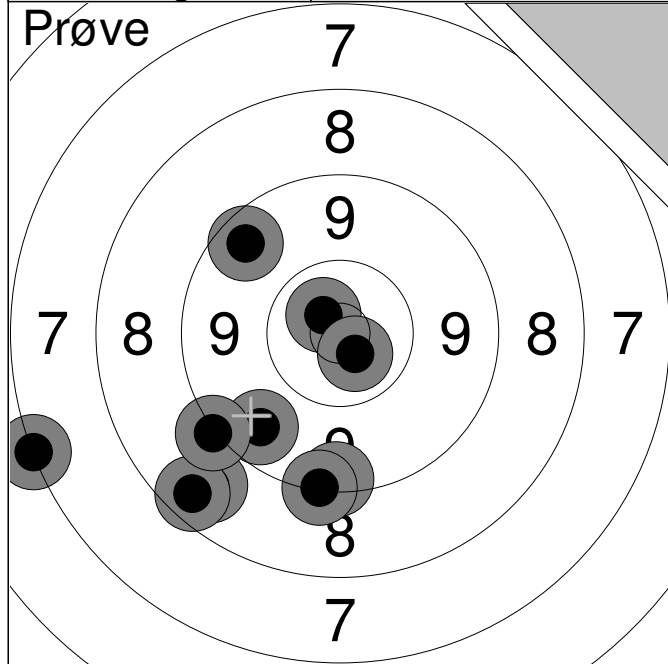
Serie		19.0
Total		0.0



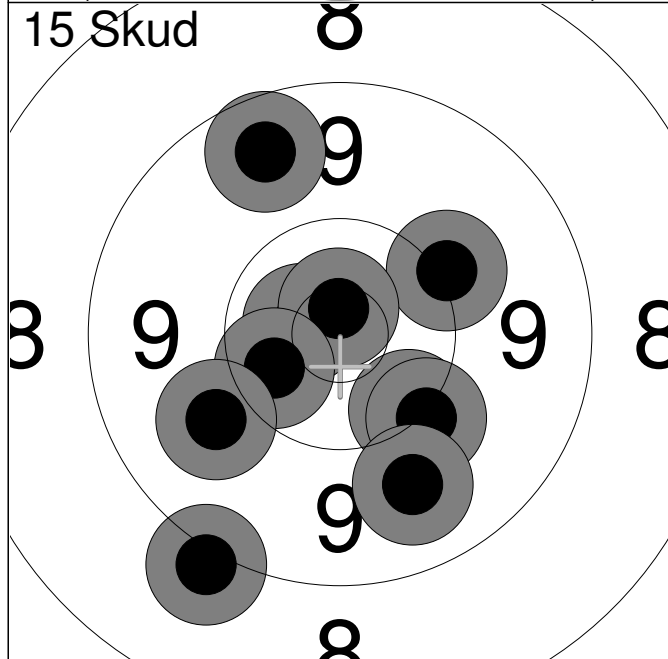
Serie		93.0
Total		93.0



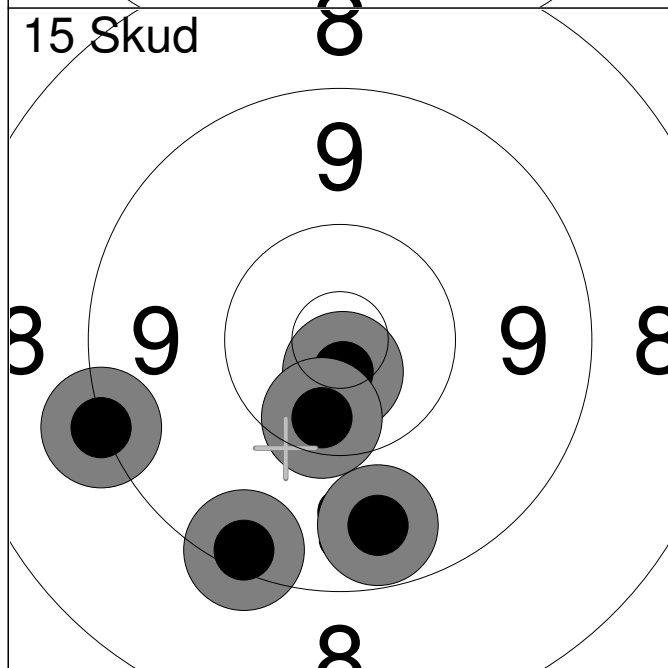
Serie		48.0
Total		141.0



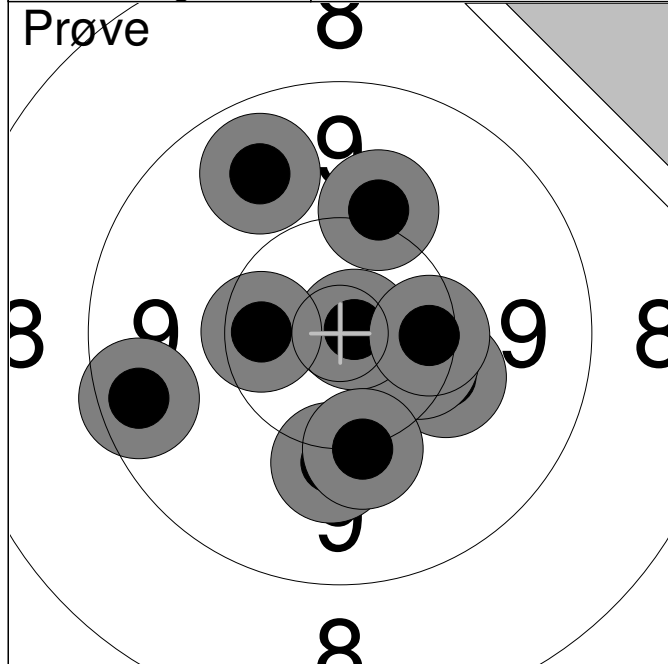
1:	9.3	↓
2:	*10.7	↗
3:	8.7	↘
4:	7.2	↖
5:	8.5	↘
6:	*10.7	↓
7:	9.5	↗
8:	9.6	↘
9:	9.1	↖
10:	9.2	↓
Serie		88.0
Total		0.0



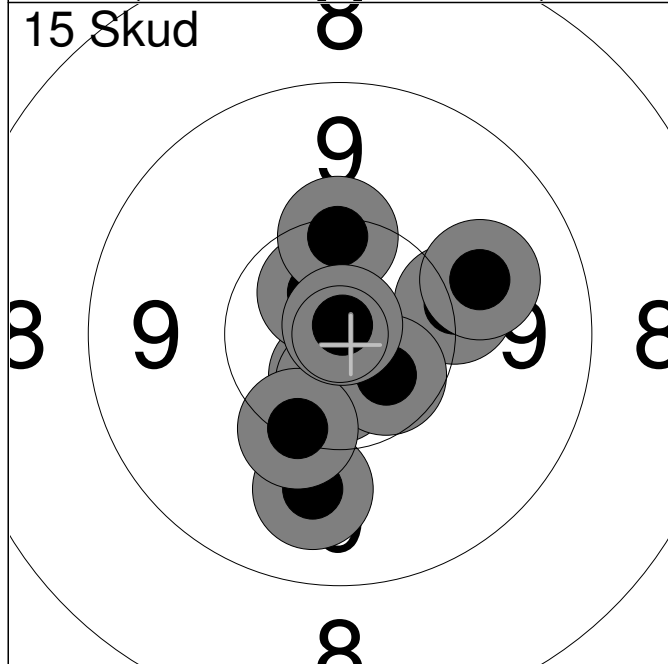
1:	*10.7	↖
2:	10.2	↘
3:	9.6	↗
4:	10.1	↗
5:	*10.8	↑
6:	9.1	↘
7:	10.1	↘
8:	*10.4	↖
9:	9.9	↖
10:	9.8	↓
Serie		96.0
Total		96.0



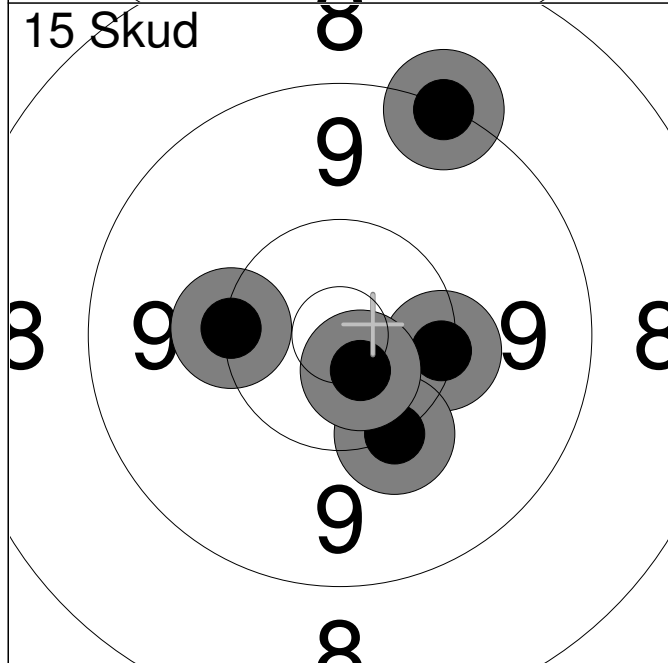
11:	9.6	↓
12:	*10.7	↓
13:	9.3	↘
14:	9.2	↖
15:	10.4	↓
Serie		47.0
Total		143.0



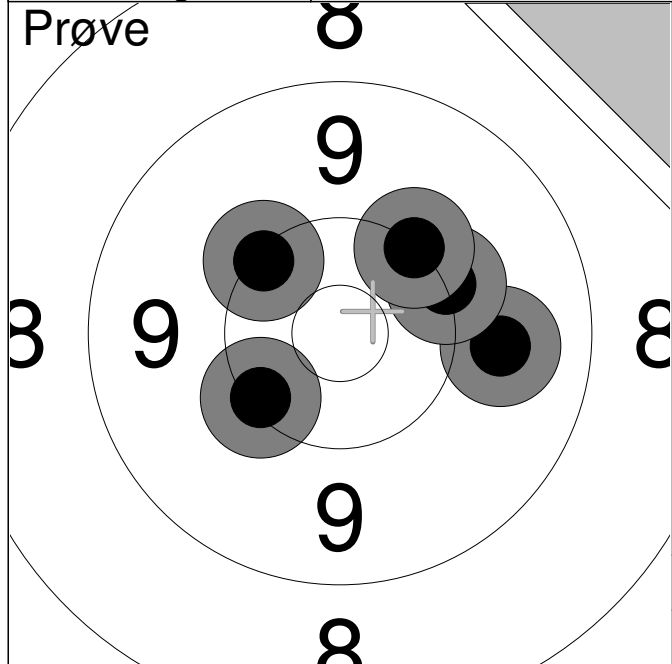
1:	9.5	←
2:	10.2	→
3:	10.4	→
4:	10.1	↓
5:	9.7	↗
6:	10.1	↗
7:	*10.8	→
8:	10.1	↓
9:	10.3	→
10:	10.4	←
Serie		98.0
Total		0.0



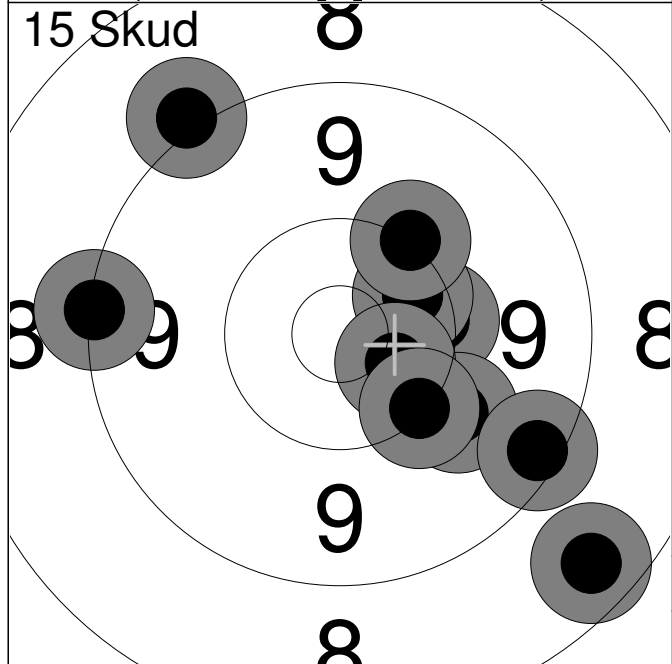
1:	*10.7	↓
2:	9.9	↓
3:	10.1	→
4:	*10.6	↓
5:	9.9	↗
6:	*10.6	↗
7:	*10.5	↓
8:	10.2	↓
9:	10.3	↑
10:	*10.9	↑
Serie		98.0
Total		98.0



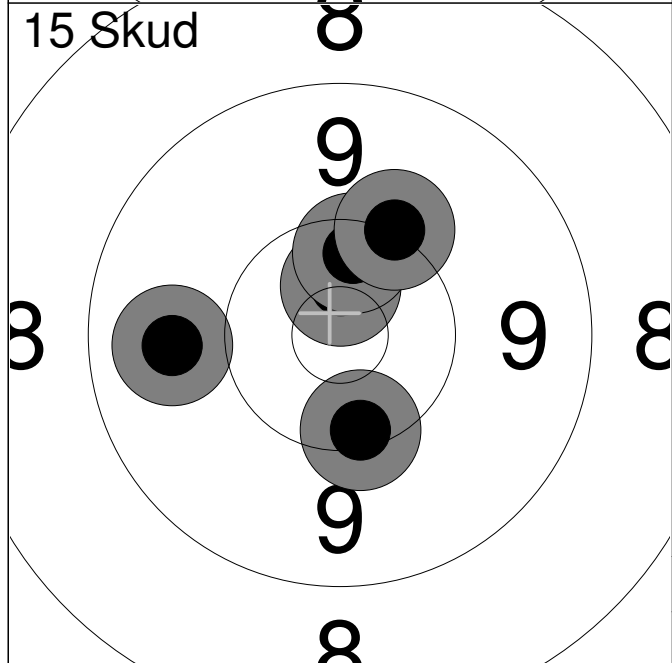
11:	10.3	→
12:	10.2	←
13:	10.2	↓
14:	*10.7	↓
15:	9.2	↗
Serie		49.0
Total		147.0



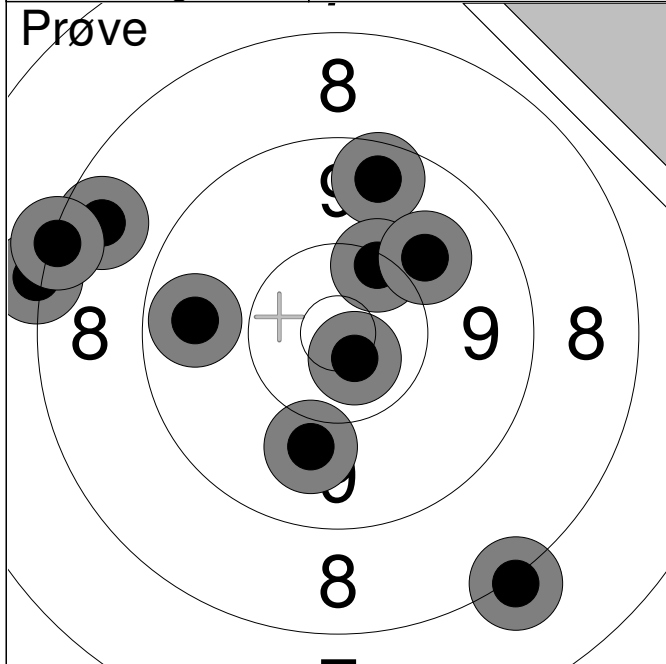
	1:	9.8	→
	2:	10.1	→
	3:	10.3	↙
	4:	10.2	↗
	5:	10.2	↗
Serie			49.0
Total			0.0



	1:	10.3	→
	2:	9.2	←
	3:	10.0	↘
	4:	10.4	↗
	5:	9.3	↘
	6:	8.5	↘
	7:	9.1	↗
	8:	*10.5	↘
	9:	10.1	↗
	10:	10.2	↘
Serie			95.0
Total			95.0

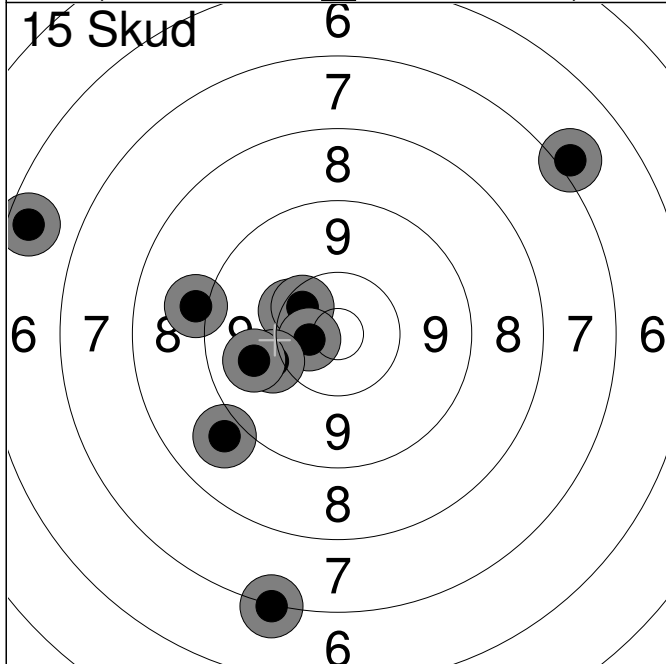


	11:	9.8	←
	12:	*10.6	↑
	13:	10.4	↑
	14:	10.3	↘
	15:	10.1	↗
Serie			49.0
Total			144.0



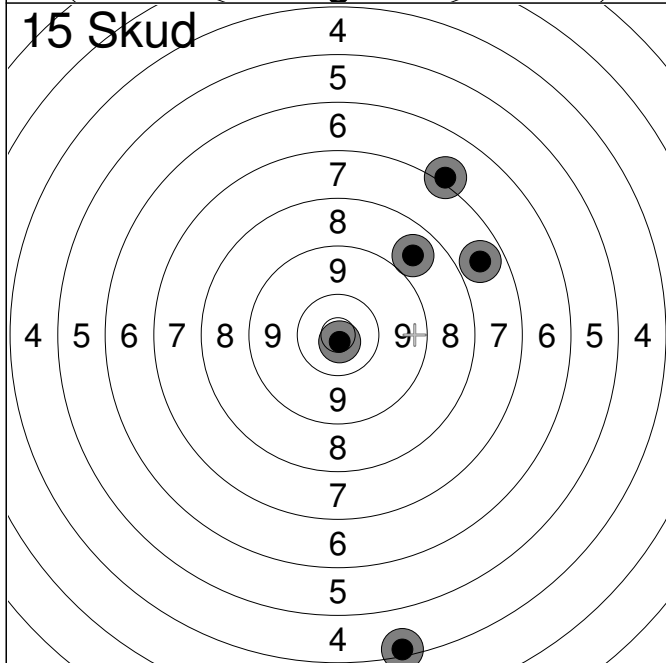
1:	8.1	↘
2:	9.5	↑
3:	8.6	↖
4:	10.3	↗
5:	*10.7	↘
6:	8.1	↖
7:	9.7	↖
8:	9.9	↗
9:	8.2	↖
10:	9.9	↘

Serie	88.0
Total	0.0



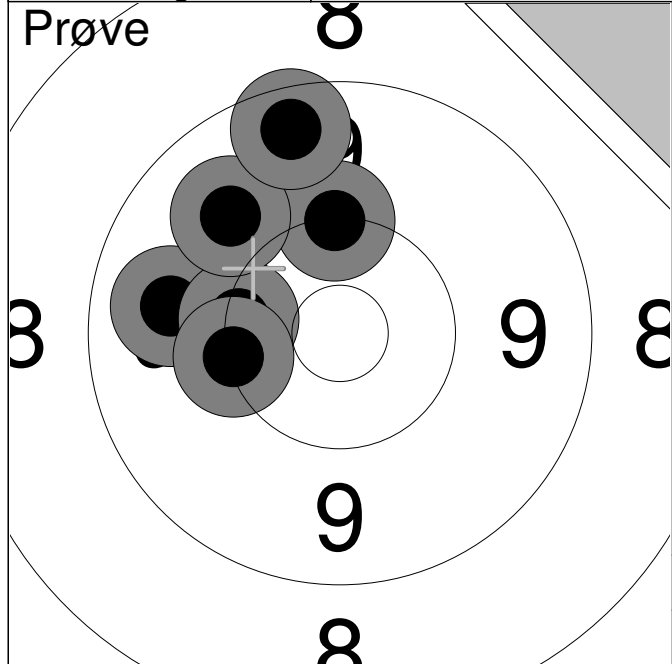
1:	10.3	↗
2:	6.5	↖
3:	10.4	↗
4:	*10.6	↖
5:	10.0	↖
6:	7.1	↘
7:	9.0	↖
8:	9.8	↖
9:	7.0	↗
10:	8.9	↙

Serie	86.0
Total	86.0

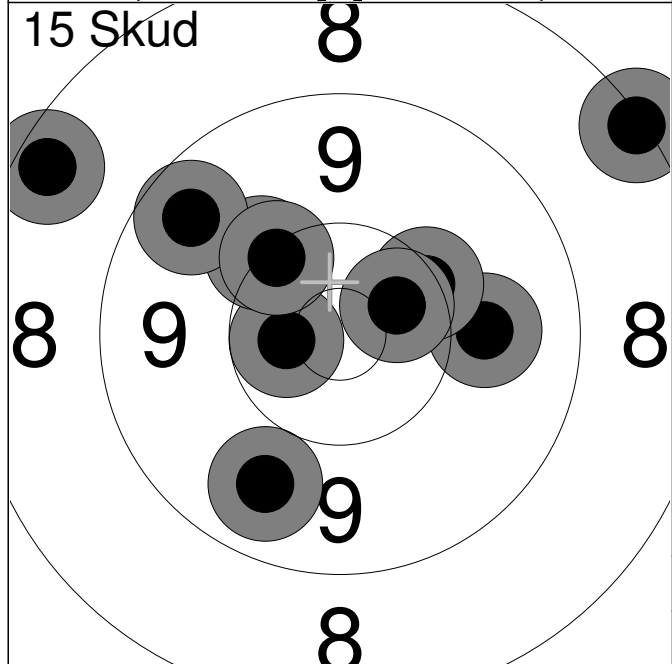


11:	7.7	↗
12:	*10.8	↘
13:	8.8	↗
14:	4.3	↘
15:	7.1	↗

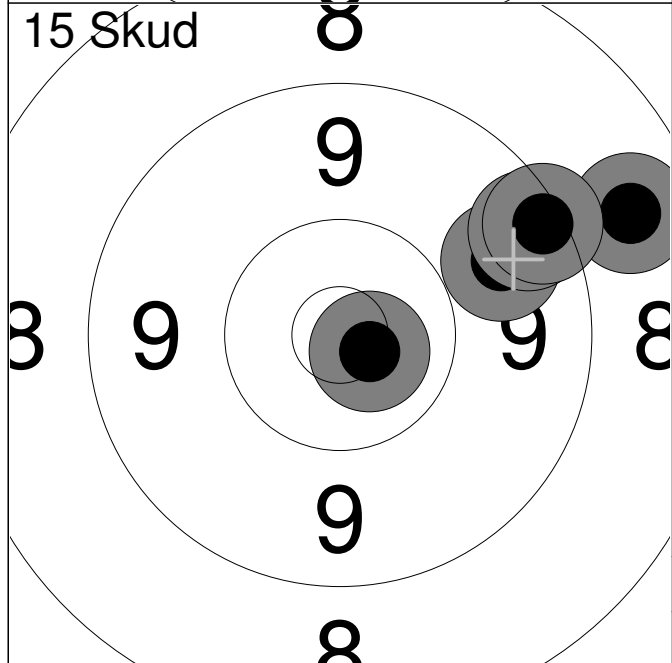
Serie	36.0
Total	122.0



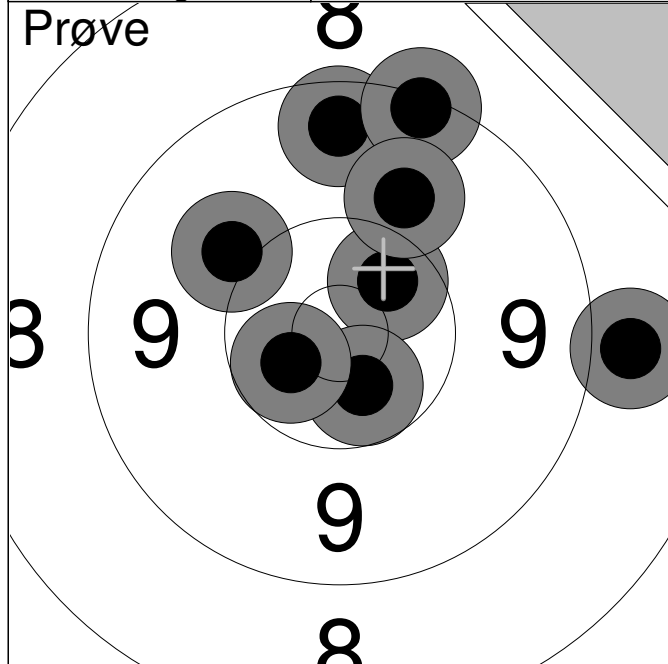
	1:	9.8	←
	2:	10.3	←
	3:	10.2	↑
	4:	9.8	↗
	5:	9.5	↑
	6:	10.2	←
Serie			57.0
Total			0.0



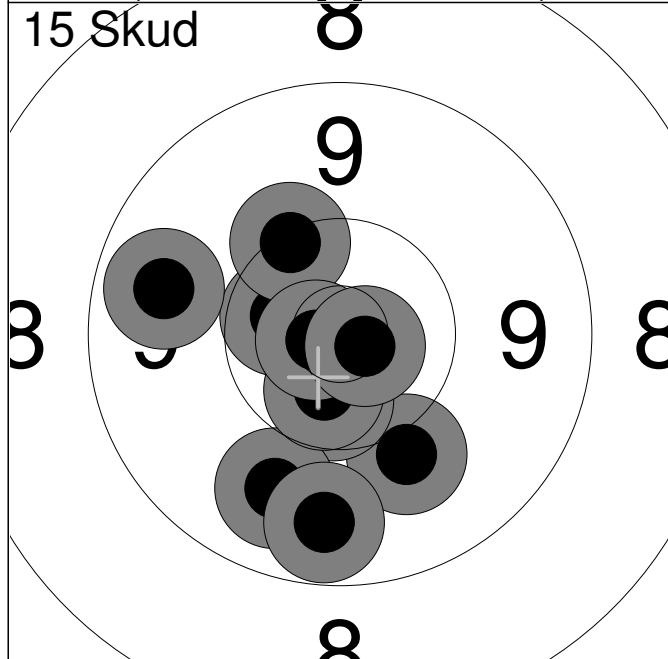
	1:	*10.6	←
	2:	9.9	→
	3:	10.2	↗
	4:	10.1	↗
	5:	*10.5	↗
	6:	8.2	↗
	7:	9.6	↗
	8:	10.2	↗
	9:	8.4	↗
	10:	9.7	↘
Serie			93.0
Total			93.0



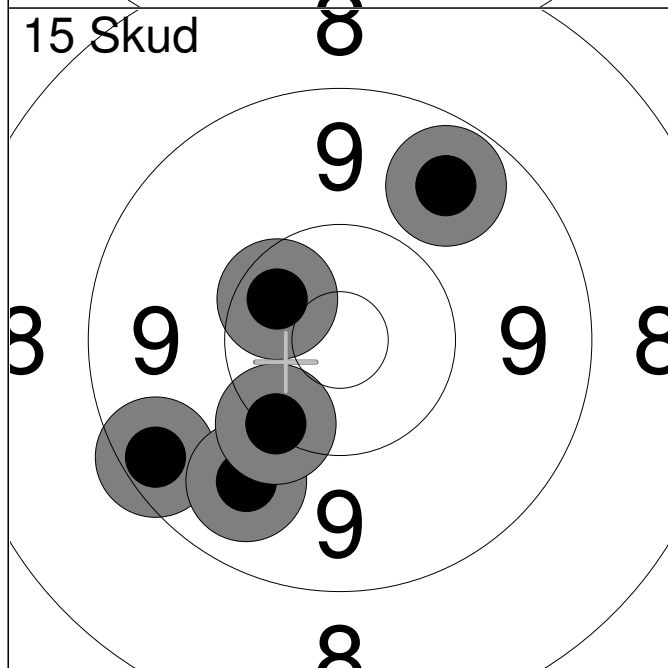
	11:	*10.7	↘
	12:	9.7	↗
	13:	8.7	↗
	14:	9.4	↗
	15:	9.3	↗
Serie			45.0
Total			138.0



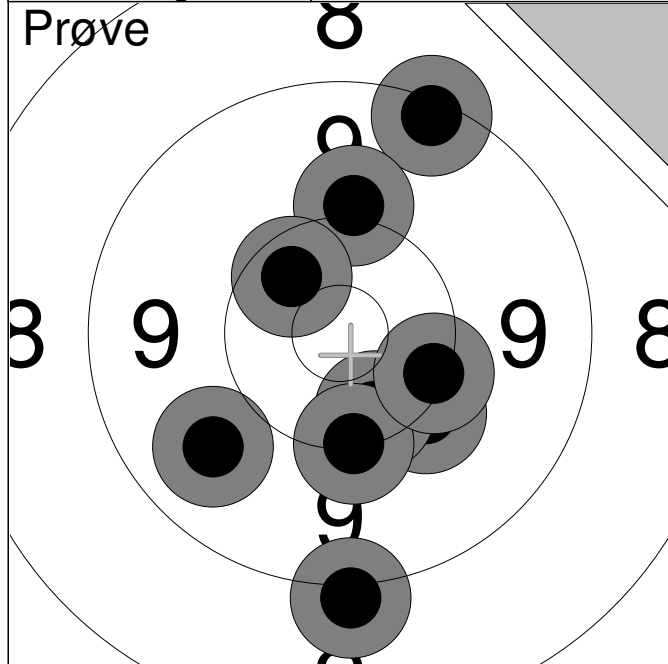
1:	10.0	↖
2:	*10.5	↗
3:	9.5	↑
4:	9.3	↗
5:	9.9	↗
6:	8.9	→
7:	*10.6	↘
8:	*10.6	↙
Serie		75.0
Total		0.0



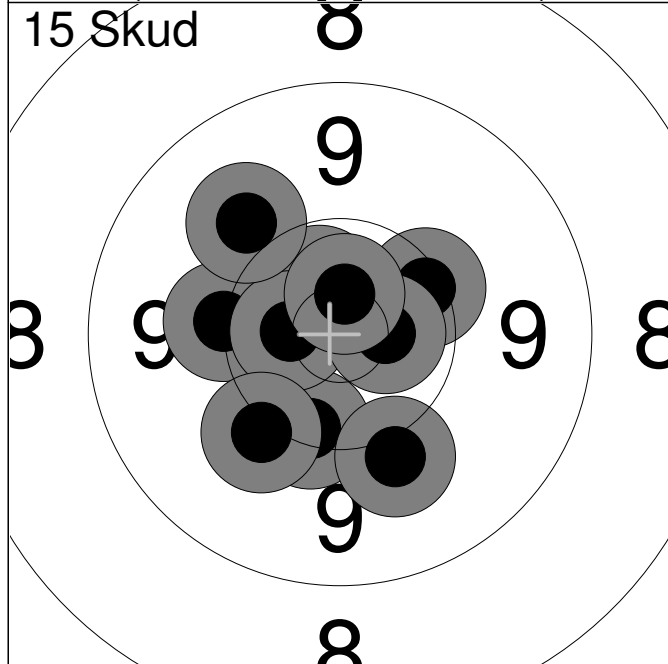
1:	*10.5	↖
2:	10.0	↘
3:	*10.5	↘
4:	9.8	↘
5:	*10.6	↘
6:	9.6	↘
7:	10.2	↗
8:	*10.8	↙
9:	9.7	↖
10:	*10.8	↘
Serie		97.0
Total		97.0



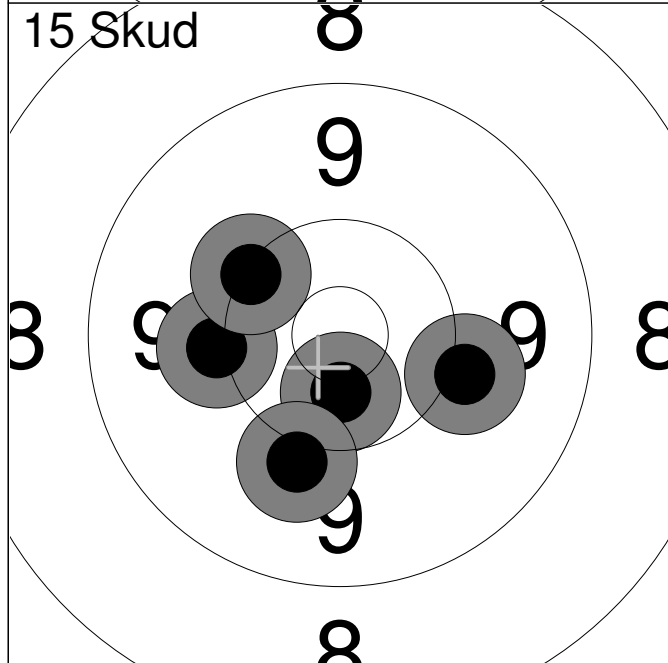
11:	*10.4	↖
12:	9.4	↙
13:	9.8	↘
14:	10.2	↘
15:	9.6	↗
Serie		47.0
Total		144.0



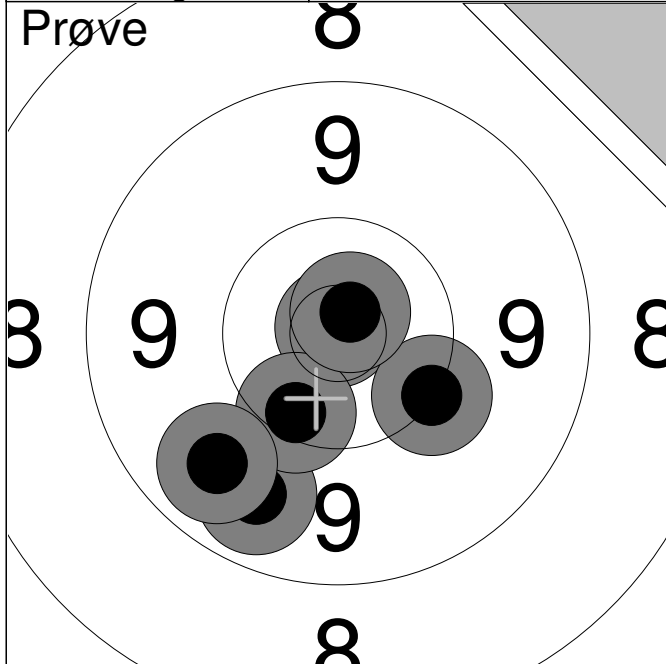
1:	9.3	↗
2:	10.1	↘
3:	9.8	↙
4:	9.1	↘
5:	10.4	↘
6:	10.2	↘
7:	10.1	↗
8:	*10.4	↗
9:	10.3	↘
Serie		87.0
Total		0.0



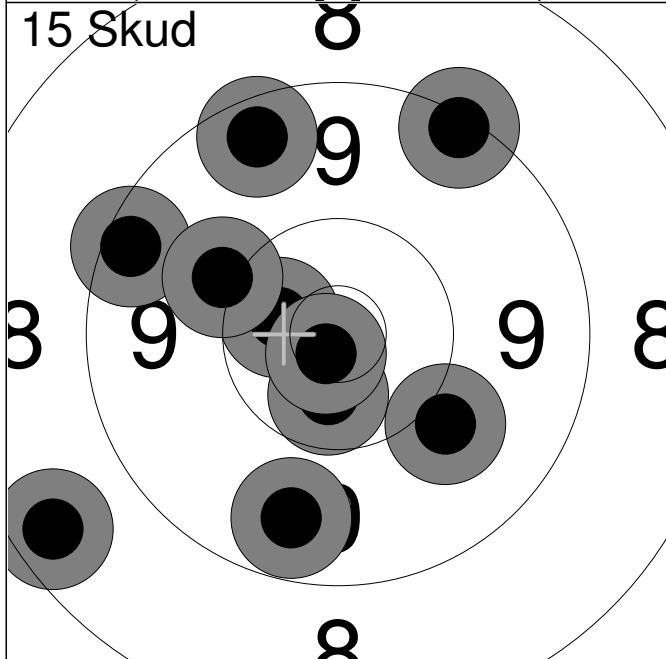
1:	10.3	↘
2:	10.2	←
3:	*10.6	↗
4:	10.0	↘
5:	*10.6	←
6:	10.0	↗
7:	10.3	↗
8:	*10.6	→
9:	10.1	↙
10:	*10.7	↗
Serie		100.0
Total		100.0



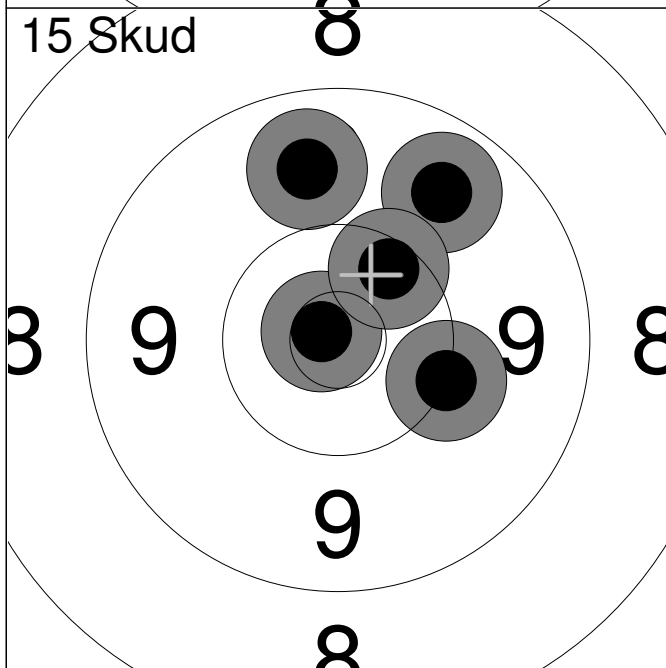
11:	*10.6	↘
12:	10.1	→
13:	10.0	↘
14:	10.1	←
15:	10.2	↗
Serie		50.0
Total		150.0



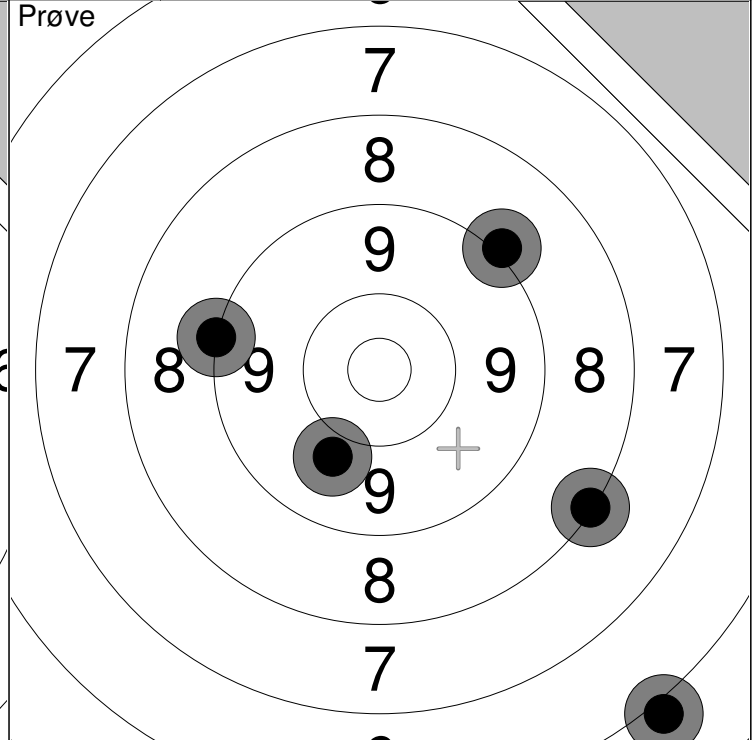
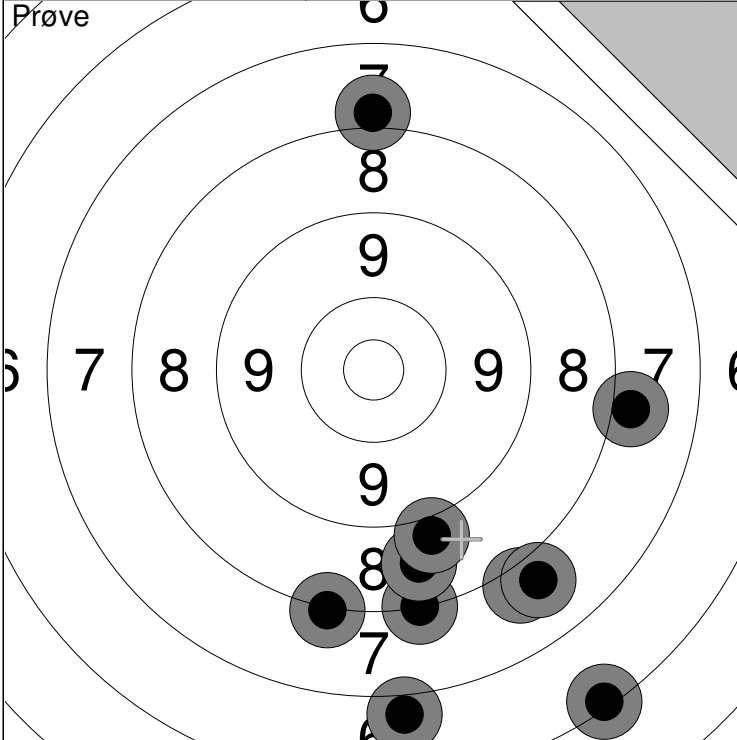
1:	*10.9	↗
2:	10.2	↘
3:	9.7	↙
4:	10.3	↘
5:	9.7	↙
6:	*10.8	↗
Serie		58.0
Total		0.0



1:	*10.5	↘
2:	*10.5	↖
3:	8.5	↙
4:	9.5	↗
5:	9.4	↗
6:	9.6	↘
7:	10.1	↗
8:	*10.8	↘
9:	10.0	↘
10:	9.3	↗
Serie		94.0
Total		94.0

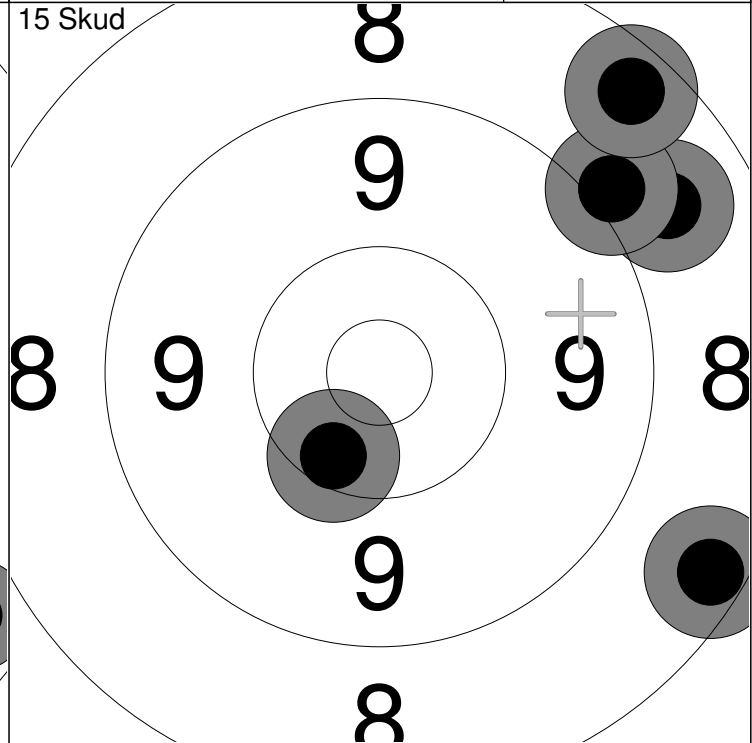
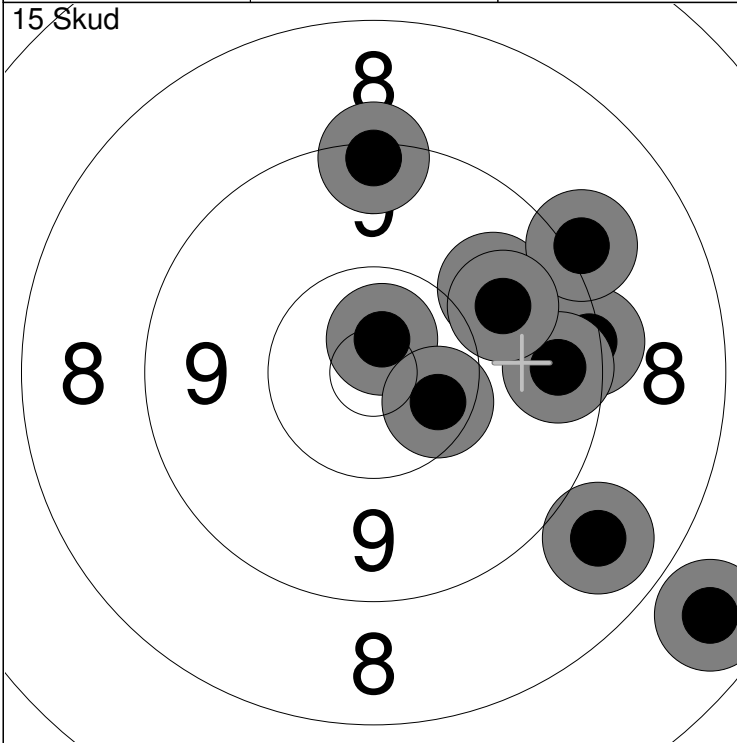


11:	10.2	↘
12:	*10.8	↗
13:	9.7	↗
14:	10.4	↗
15:	9.7	↗
Serie		48.0
Total		142.0



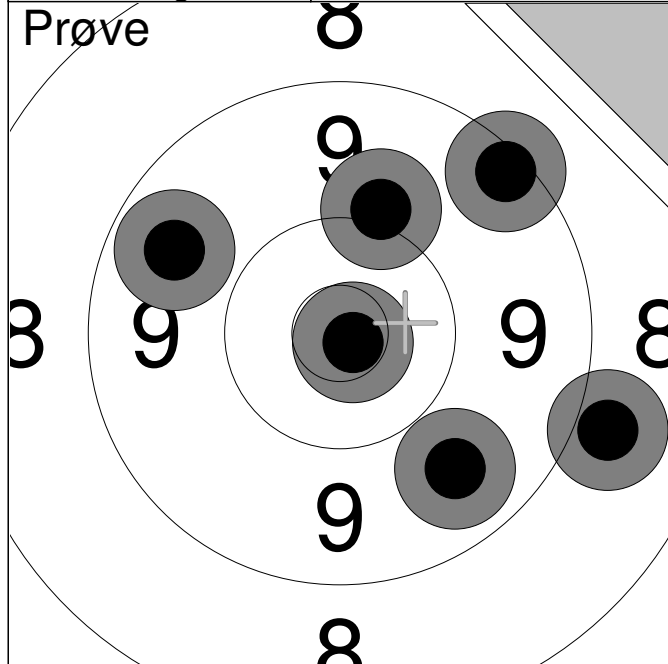
1: 8.0 ↑	6: 8.2 ↓	Serie	76.0
2: 8.1 ↓	7: 8.7 ↓		
3: 8.0 ↓	8: 9.0 ↓	Total	0.0
4: 6.3 ↓	9: 8.0 →		
5: 6.9 ↓	10: 7.9 ↓		

11: 9.1 ↗	Serie	41.0
12: 9.9 ↓		
13: 8.2 ↓	Total	0.0
14: 6.0 ↓		
15: 9.2 ←		

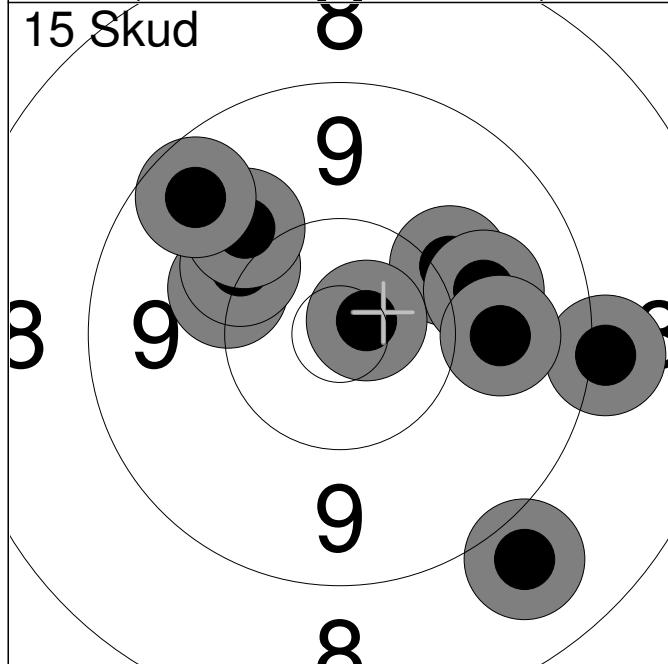


1: 7.7 ↓	6: *10.4 →	Serie	89.0
2: *10.7 ↑	7: 9.8 ↗		
3: 9.3 →	8: 9.1 ↗	Total	89.0
4: 9.3 ↑	9: 8.8 ↓		
5: 9.5 →	10: 9.8 ↗		

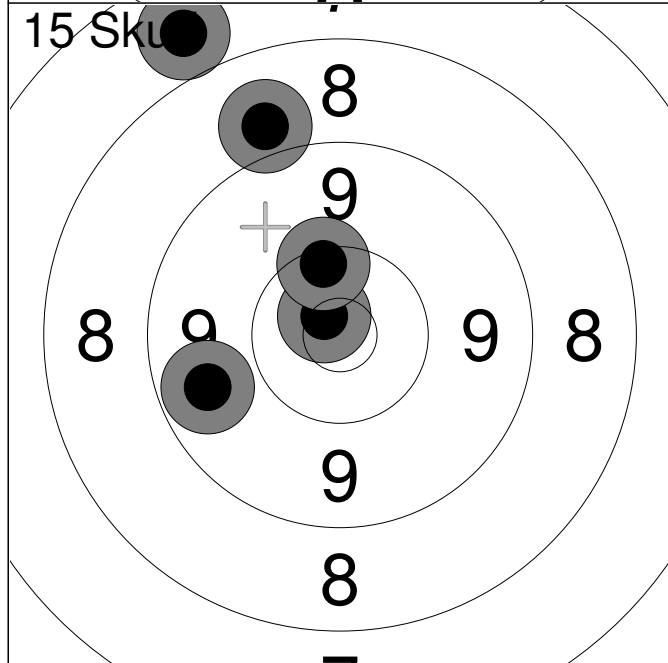
11: 8.8 ↗	Serie	43.0
12: 8.4 ↓		
13: 9.0 ↗	Total	132.0
14: 8.5 ↗		
15: 10.4 ↓		



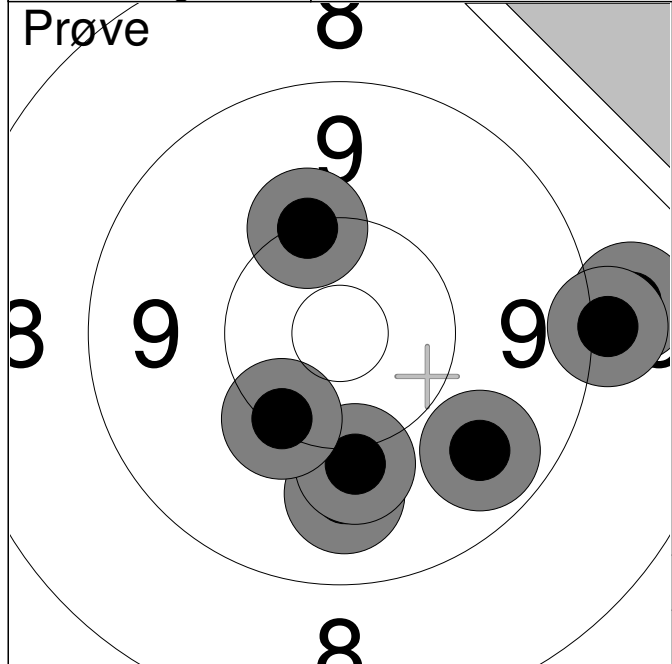
1:	10.1	↑
2:	8.9	→
3:	9.3	↗
4:	9.7	↗
5:	9.7	↘
6:	*10.8	↘
Serie		55.0
Total		0.0



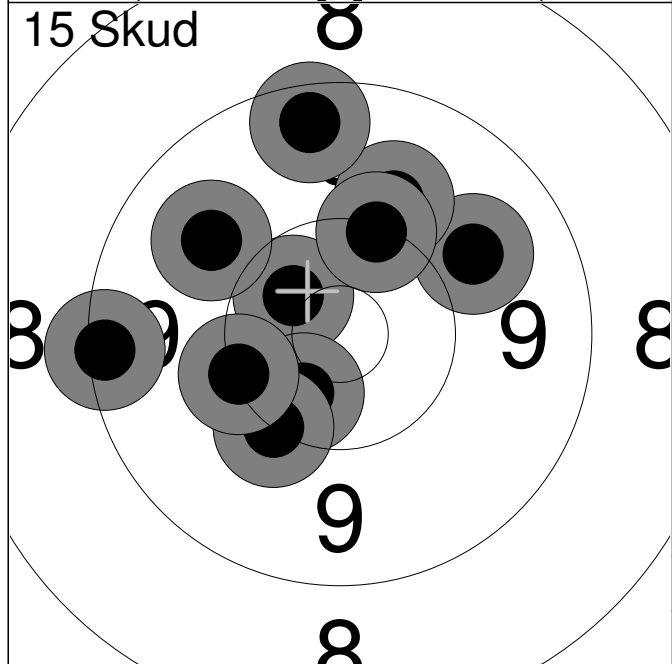
1:	8.9	↘
2:	10.1	↗
3:	10.1	↗
4:	10.0	↗
5:	10.1	↗
6:	9.9	→
7:	*10.7	↗
8:	9.6	↗
9:	9.1	→
10:	9.8	→
Serie		94.0
Total		94.0



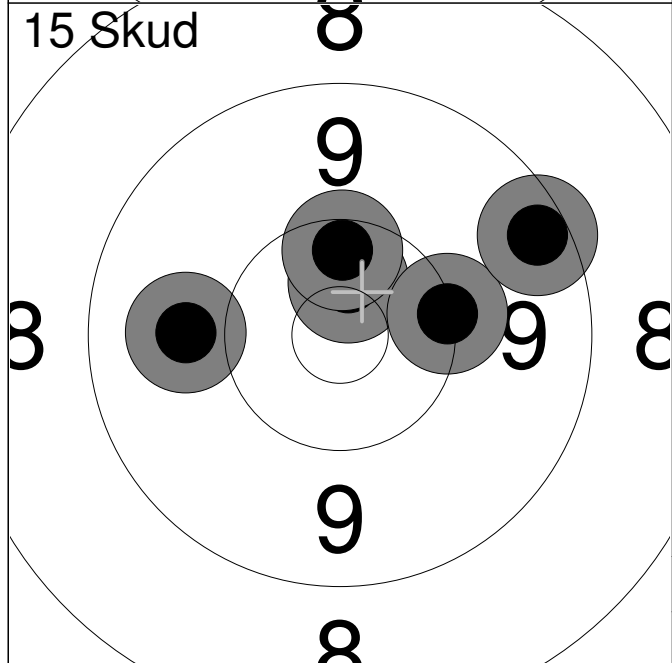
11:	7.8	↗
12:	8.9	↗
13:	*10.7	↗
14:	10.3	↗
15:	9.7	↖
Serie		44.0
Total		138.0



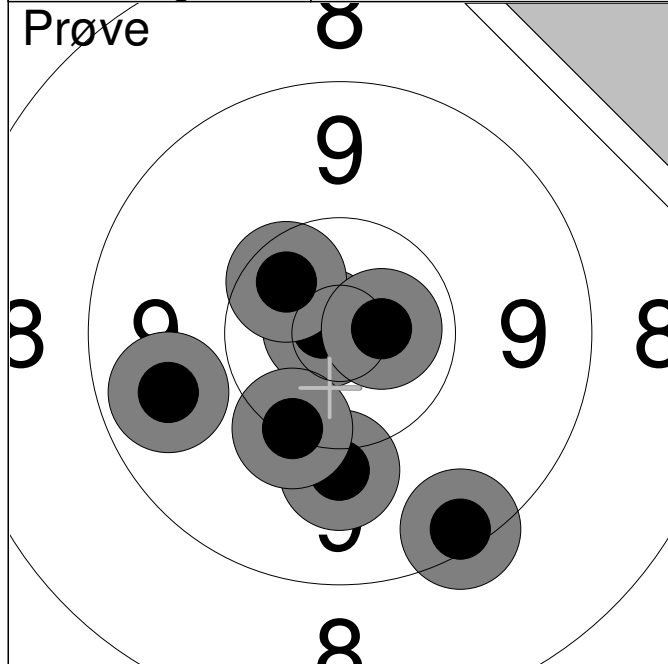
	1:	8.9	→
	2:	9.1	→
	3:	9.8	↓
	4:	10.0	↓
	5:	9.7	↘
	6:	10.2	↗
	7:	10.2	↙
Serie			65.0
Total			0.0



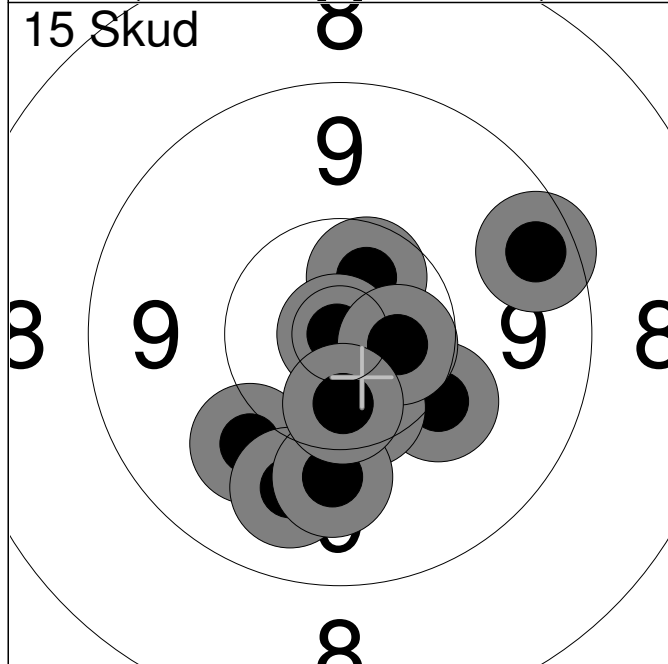
	1:	*10.5	↗
	2:	9.9	↗
	3:	*10.5	↘
	4:	9.3	←
	5:	10.2	↘
	6:	9.9	↗
	7:	10.2	←
	8:	10.0	↗
	9:	10.2	↗
	10:	9.5	↗
Serie			96.0
Total			96.0



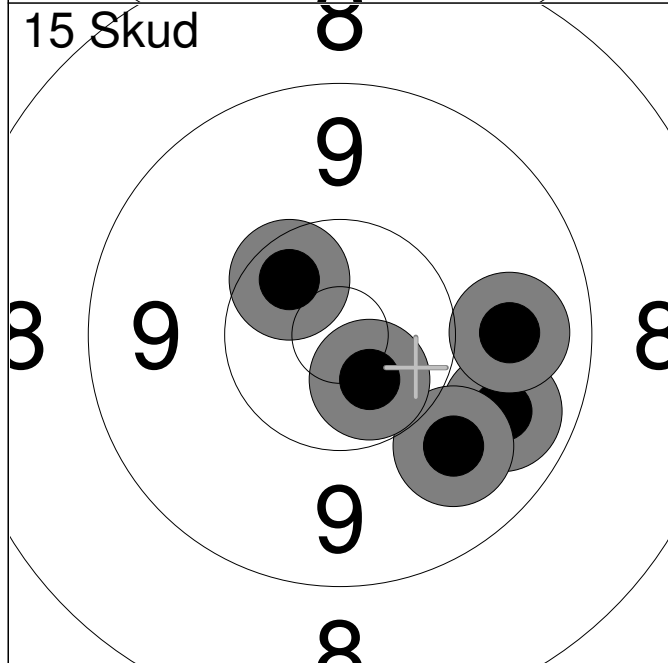
	11:	*10.6	↑
	12:	9.9	←
	13:	10.4	↑
	14:	10.2	→
	15:	9.4	↗
Serie			48.0
Total			144.0



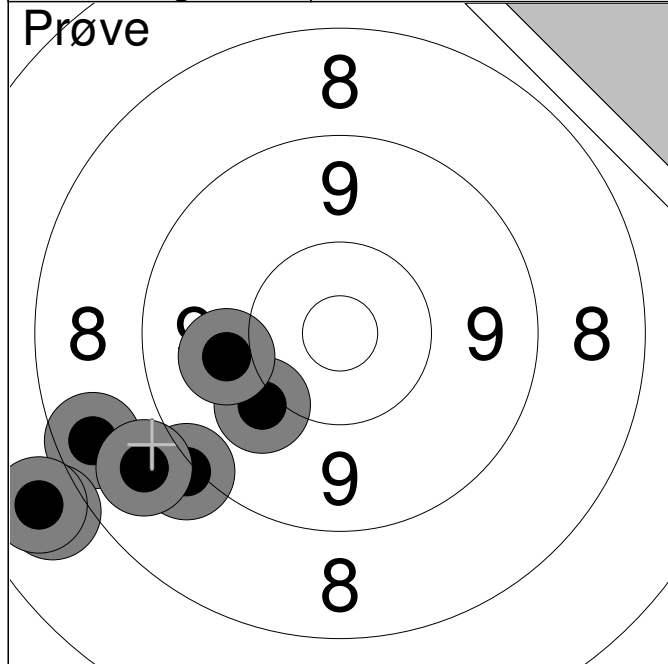
1:	*10.8	↖
2:	10.0	↓
3:	10.2	↙
4:	9.7	↖
5:	*10.4	↗
6:	9.3	↘
7:	*10.7	→
Serie		68.0
Total		0.0



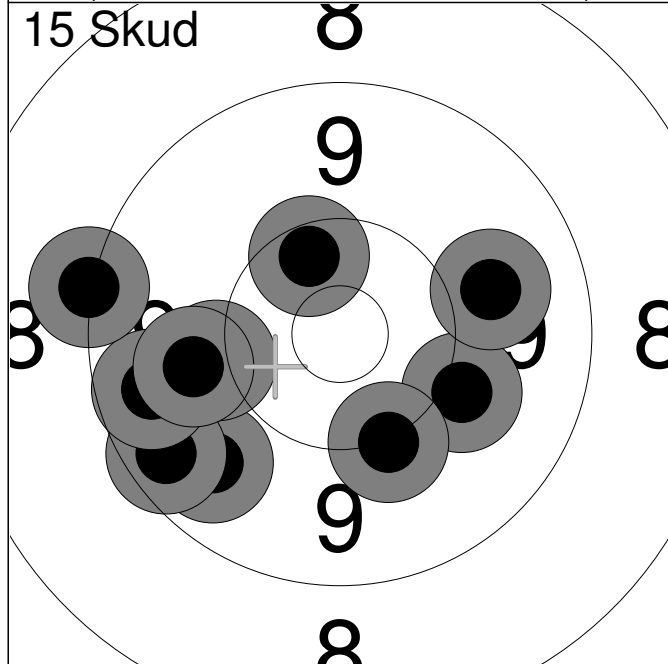
1:	10.0	↙
2:	*10.5	↗
3:	9.8	↘
4:	10.1	↘
5:	*10.4	↘
6:	*10.9	↖
7:	10.0	↓
8:	9.5	→
9:	*10.6	→
10:	*10.5	↓
Serie		98.0
Total		98.0



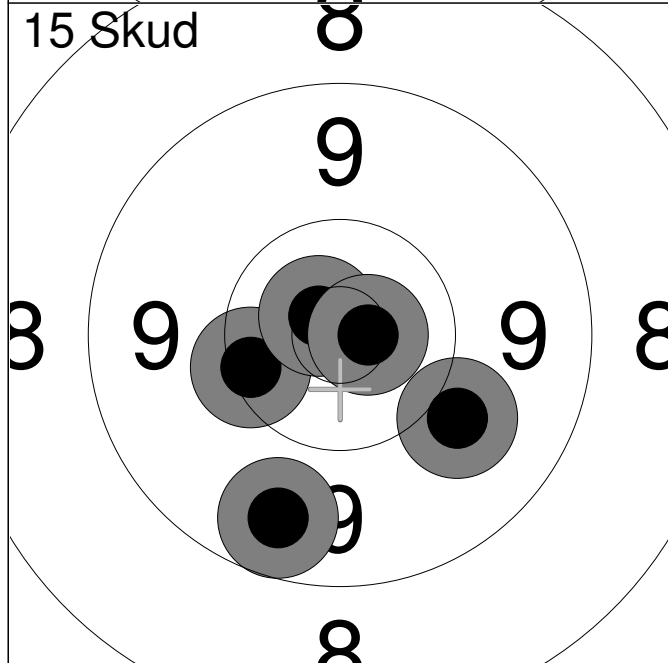
11:	*10.4	↗
12:	9.7	↘
13:	9.9	↘
14:	*10.6	↘
15:	9.8	→
Serie		47.0
Total		145.0



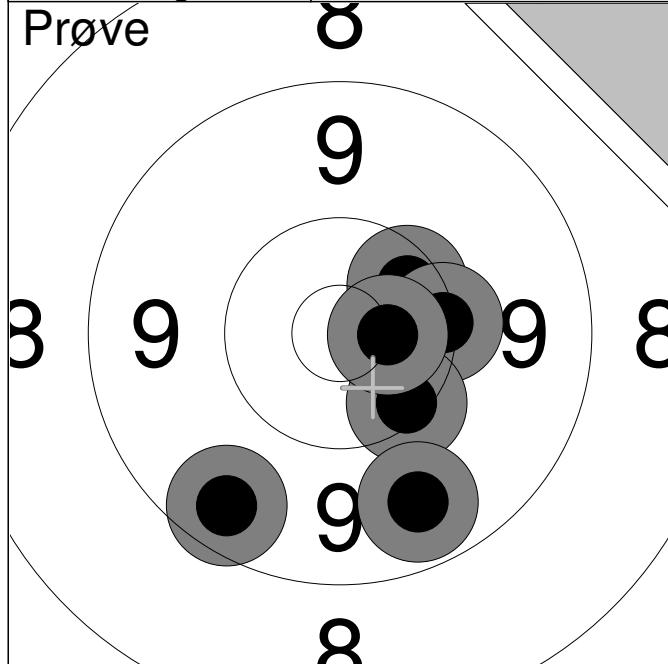
1:	9.1	↙
2:	8.5	↙
3:	7.9	↙
4:	10.0	↙
5:	7.8	↙
6:	9.9	↙
7:	8.8	↙
Serie		58.0
Total		0.0



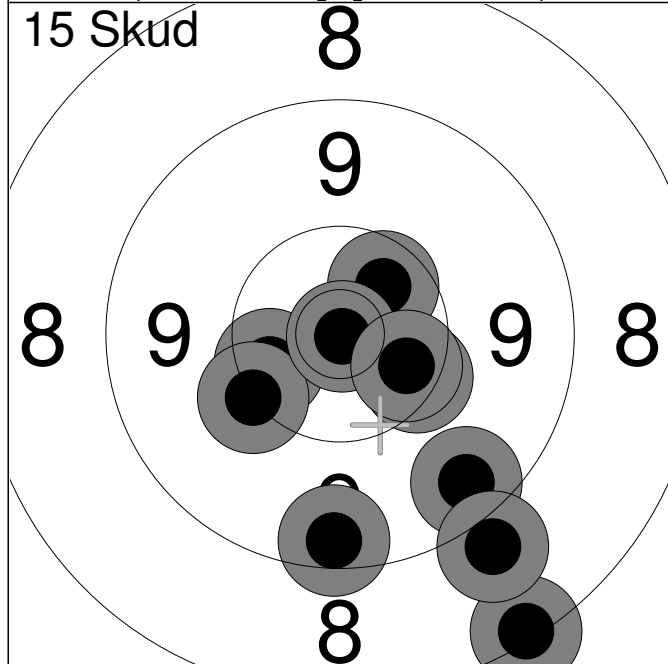
1:	9.7	↙
2:	10.0	→
3:	10.1	↓
4:	9.5	↙
5:	9.6	↙
6:	9.1	↙
7:	9.9	→
8:	10.1	↙
9:	9.9	↙
10:	10.4	↗
Serie		94.0
Total		94.0



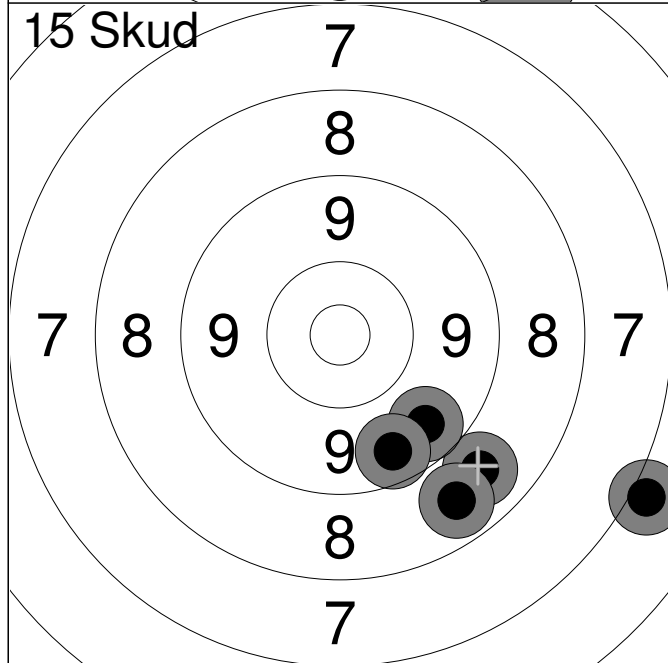
11:	10.3	↙
12:	*10.8	↗
13:	*10.8	→
14:	9.6	↙
15:	10.0	↙
Serie		49.0
Total		143.0



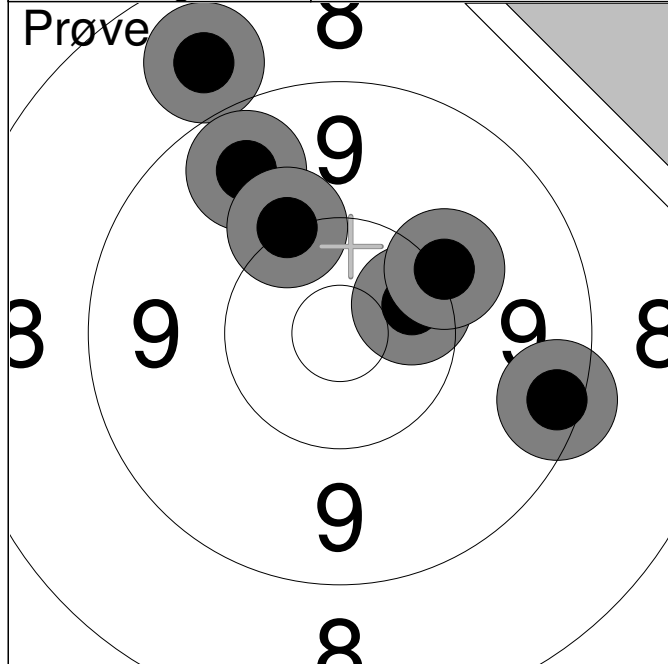
1:	9.5	↙
2:	10.4	↗
3:	10.2	→
4:	10.3	↘
5:	9.7	↘
6:	*10.6	→
Serie		58.0
Total		0.0



1:	10.4	↙
2:	10.3	↘
3:	*10.5	↗
4:	10.2	↙
5:	*10.9	↘
6:	10.4	↘
7:	9.5	↘
8:	9.4	↘
9:	8.3	↘
10:	9.0	↘
Serie		95.0
Total		95.0

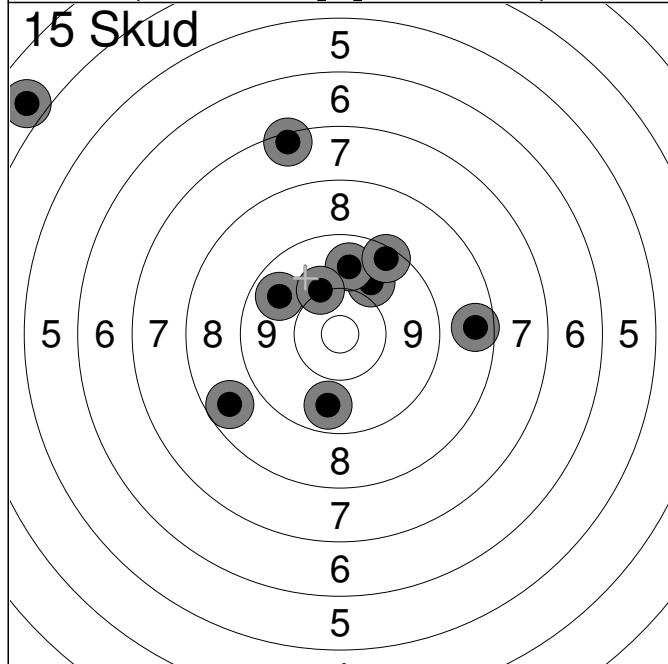


11:	8.8	↘
12:	8.7	↘
13:	7.0	↘
14:	9.6	↘
15:	9.5	↘
Serie		41.0
Total		136.0



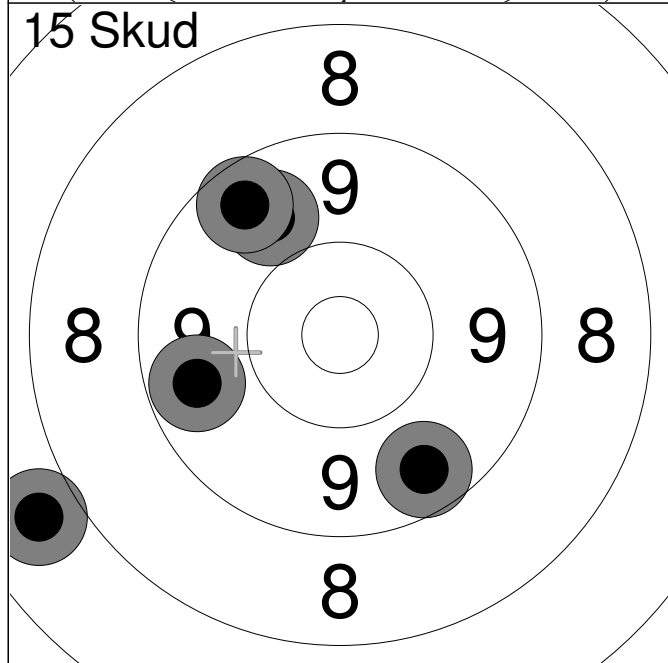
1:	9.4	→
2:	8.8	↗
3:	*10.4	→
4:	9.6	↗
5:	10.1	↗
6:	10.1	↗

Serie	56.0
Total	0.0



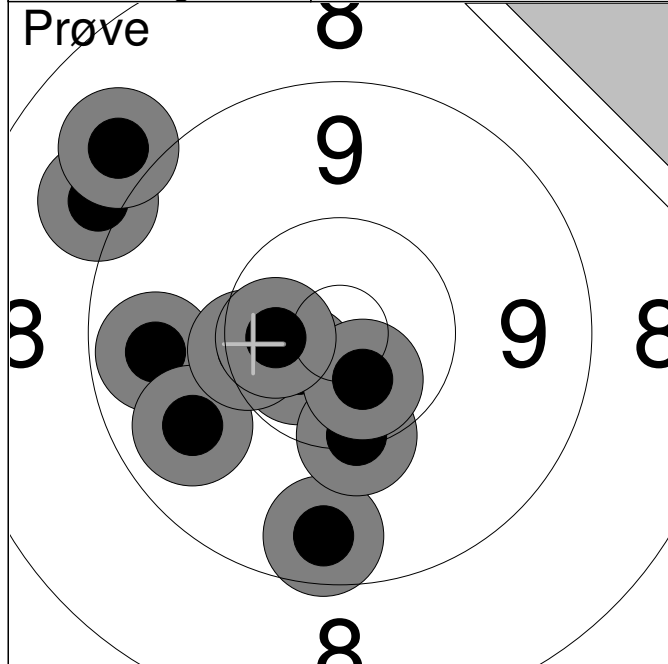
1:	9.9	↗
2:	9.8	↑
3:	9.7	↖
4:	10.1	↗
5:	9.4	↗
6:	8.5	→
7:	8.6	↖
8:	7.3	↑
9:	9.7	↓
10:	3.8	↖

Serie	81.0
Total	81.0

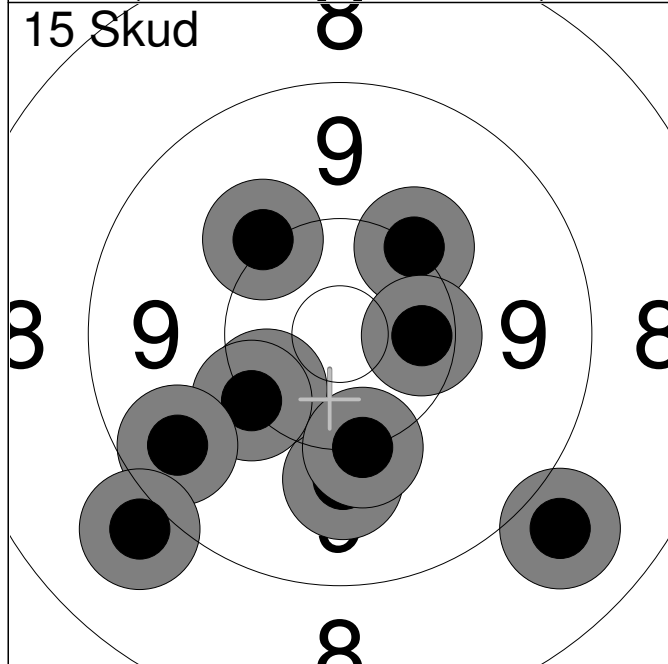


11:	9.6	↓
12:	7.8	↖
13:	9.6	↖
14:	9.8	↗
15:	9.5	↗

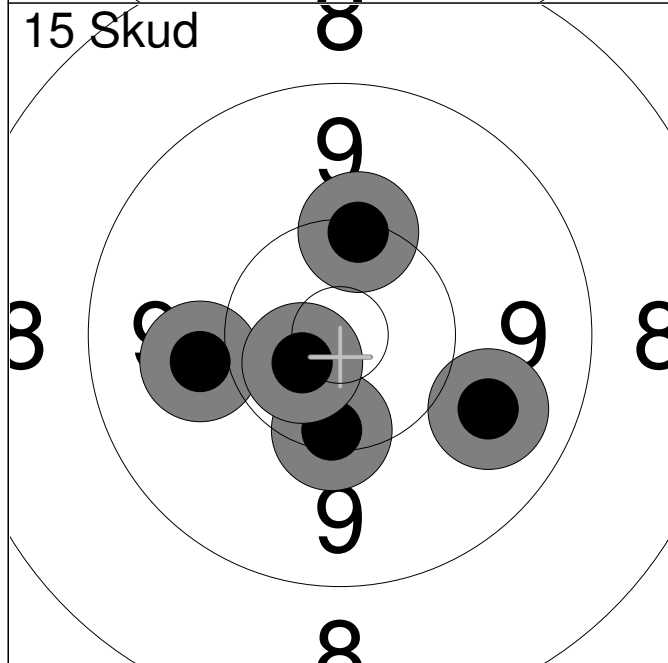
Serie	43.0
Total	124.0



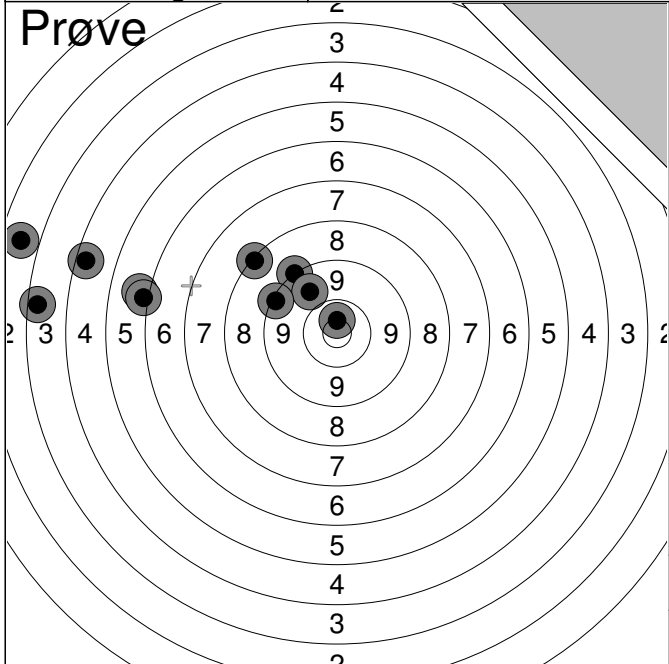
1:	9.0	↗
2:	8.9	↗
3:	9.7	←
4:	9.5	↓
5:	*10.6	↙
6:	10.2	↓
7:	9.7	↙
8:	*10.6	↓
9:	10.3	←
10:	*10.5	←
Serie		94.0
Total		0.0



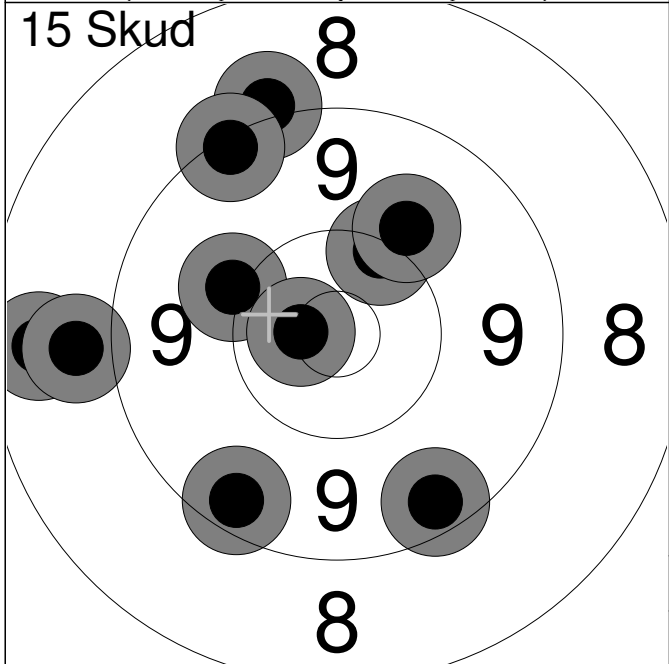
1:	10.2	↗
2:	10.0	↓
3:	10.4	→
4:	8.9	↘
5:	10.3	↙
6:	10.1	↗
7:	10.2	↙
8:	10.2	↓
9:	9.6	↙
10:	9.0	↙
Serie		96.0
Total		96.0



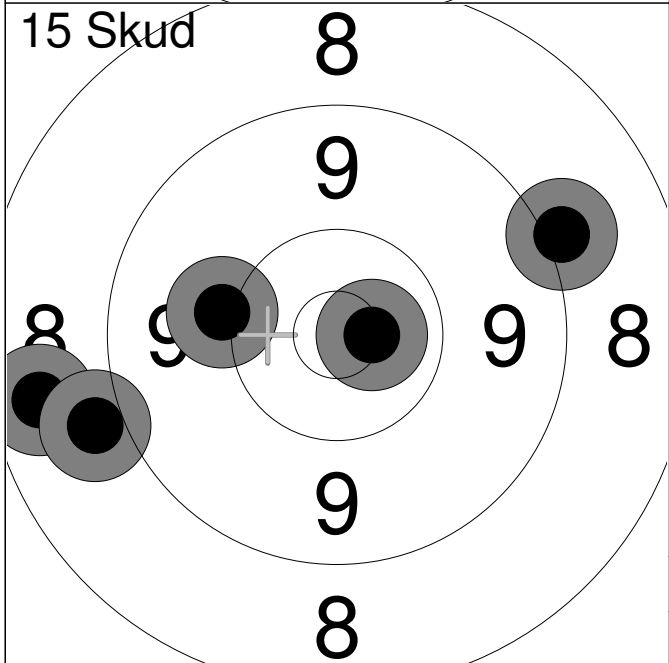
11:	10.0	←
12:	9.8	→
13:	10.2	↑
14:	10.3	↓
15:	*10.6	↙
Serie		49.0
Total		145.0



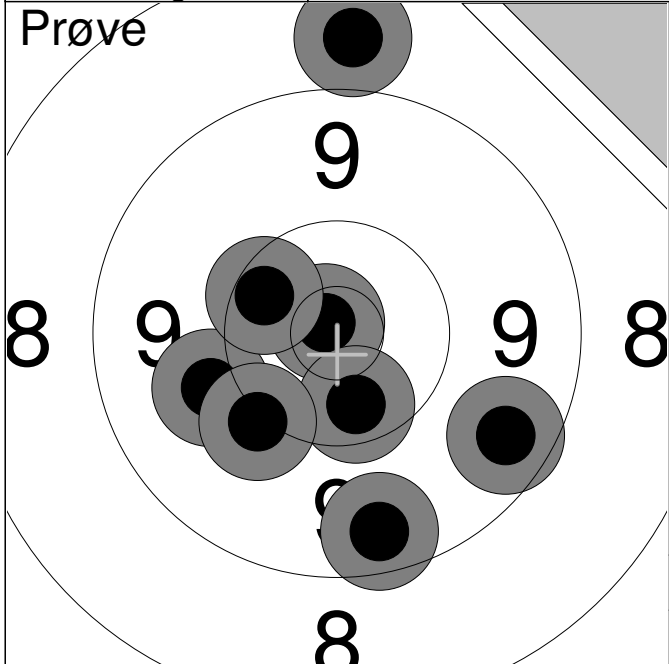
1:	2.7	←
2:	3.4	←
3:	4.4	←
4:	5.9	←
5:	6.1	←
6:	9.2	↗
7:	8.3	↗
8:	9.8	↗
9:	9.3	↗
10:	*10.7	↑
Serie		65.0
Total		0.0



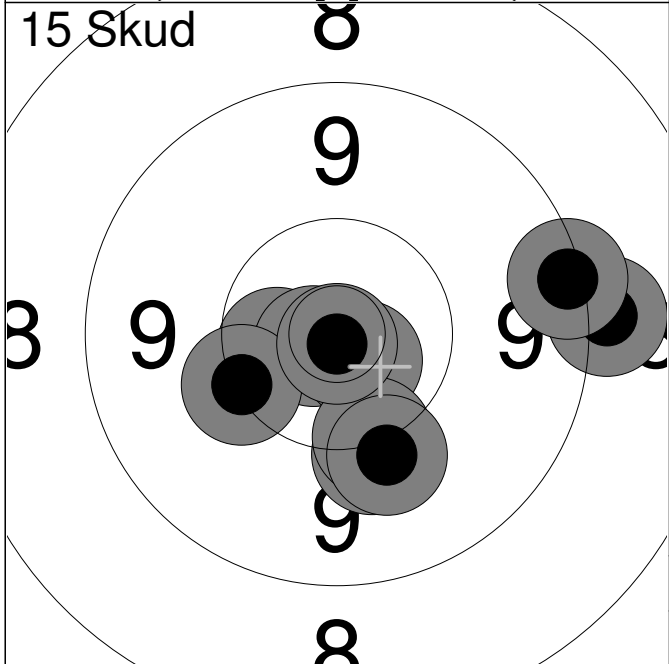
1:	9.4	↙
2:	9.4	↙
3:	10.1	↗
4:	8.6	←
5:	*10.7	←
6:	10.2	↗
7:	9.1	↗
8:	8.9	←
9:	10.0	↗
10:	9.3	↗
Serie		92.0
Total		92.0



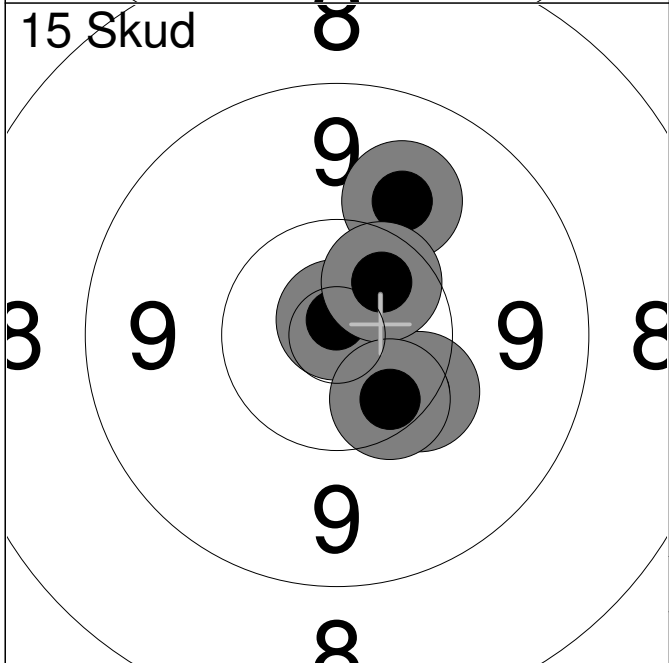
11:	8.6	←
12:	*10.7	→
13:	8.9	←
14:	10.1	←
15:	9.0	↗
Serie		45.0
Total		137.0



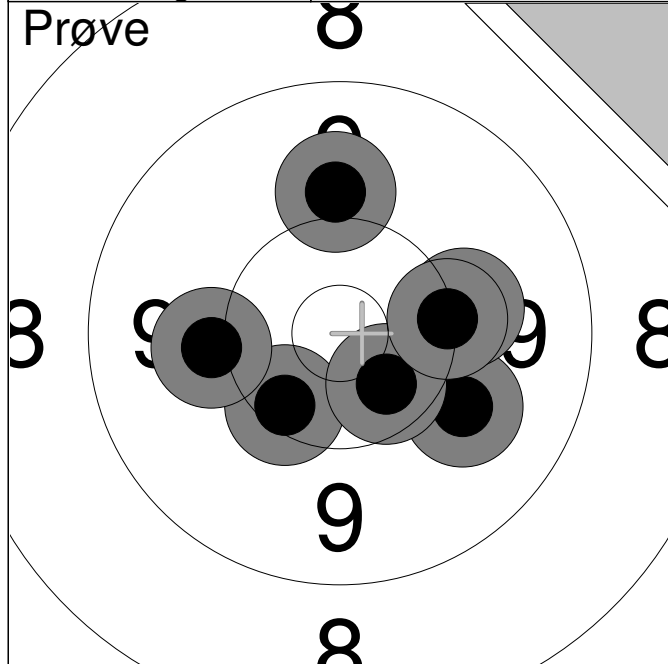
1:	8.8	↑
2:	*10.8	↗
3:	10.0	↖
4:	9.5	↘
5:	*10.4	↙
6:	9.5	↘
7:	10.1	↖
8:	10.4	↗
Serie		76.0
Total		0.0



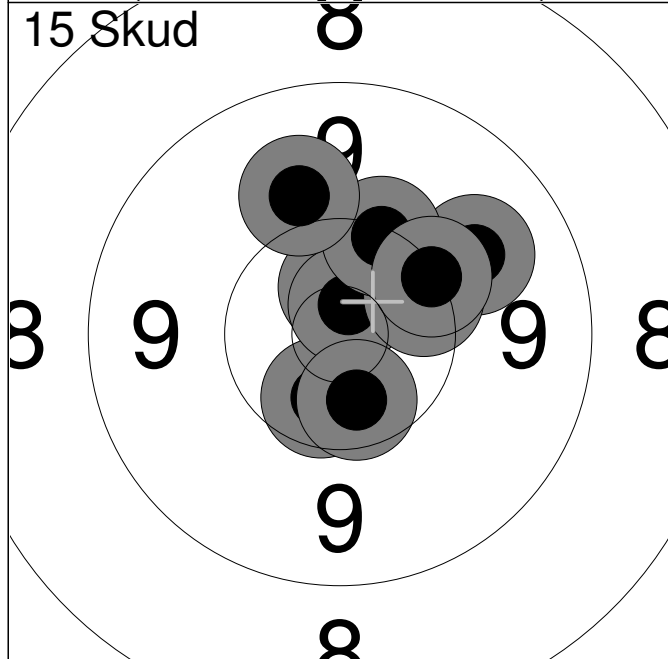
1:	*10.5	↖
2:	*10.8	↖
3:	10.2	↖
4:	9.0	→
5:	*10.7	↘
6:	10.1	↘
7:	10.2	↘
8:	10.1	↘
9:	9.3	→
10:	*10.9	↘
Serie		98.0
Total		98.0



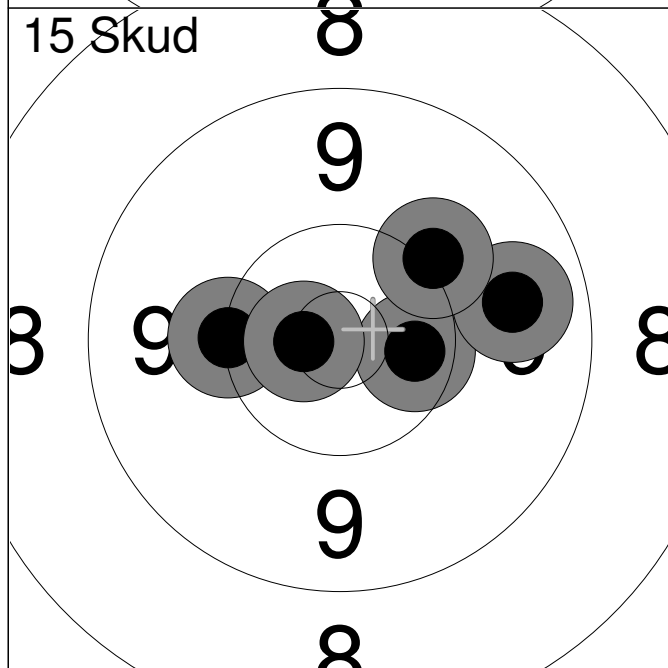
11:	10.3	↘
12:	9.9	↗
13:	*10.8	↑
14:	*10.5	↗
15:	10.4	↘
Serie		49.0
Total		147.0



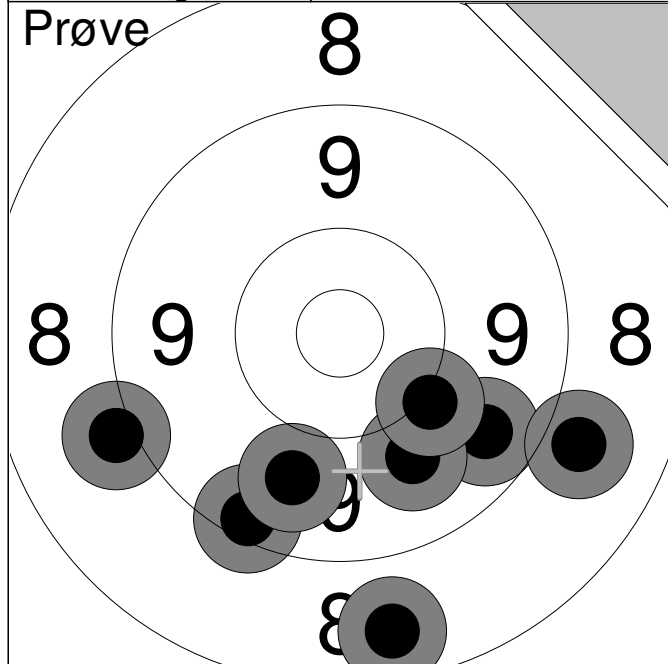
1:	10.3	↙
2:	10.1	←
3:	10.0	↘
4:	10.1	→
5:	*10.5	↘
6:	10.0	↑
7:	10.2	→
Serie		70.0
Total		0.0



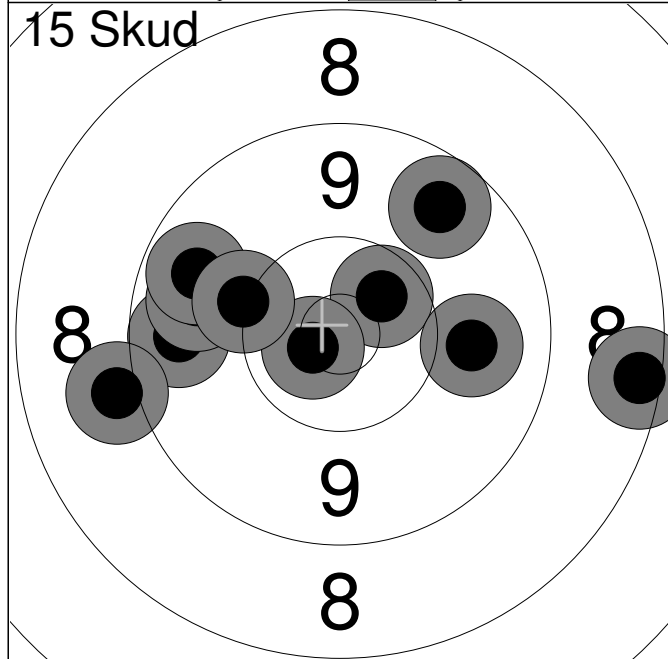
1:	9.9	↗
2:	*10.4	↑
3:	*10.6	↑
4:	*10.5	↘
5:	*10.7	↑
6:	*10.5	↘
7:	10.3	→
8:	10.2	↑
9:	10.2	↗
10:	10.0	↑
Serie		99.0
Total		99.0



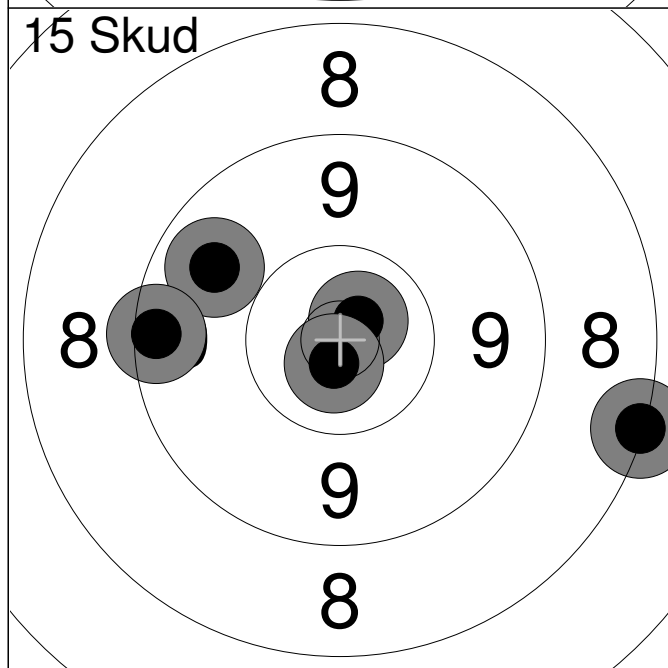
11:	*10.4	→
12:	9.7	→
13:	10.1	↗
14:	10.2	←
15:	*10.7	←
Serie		49.0
Total		148.0



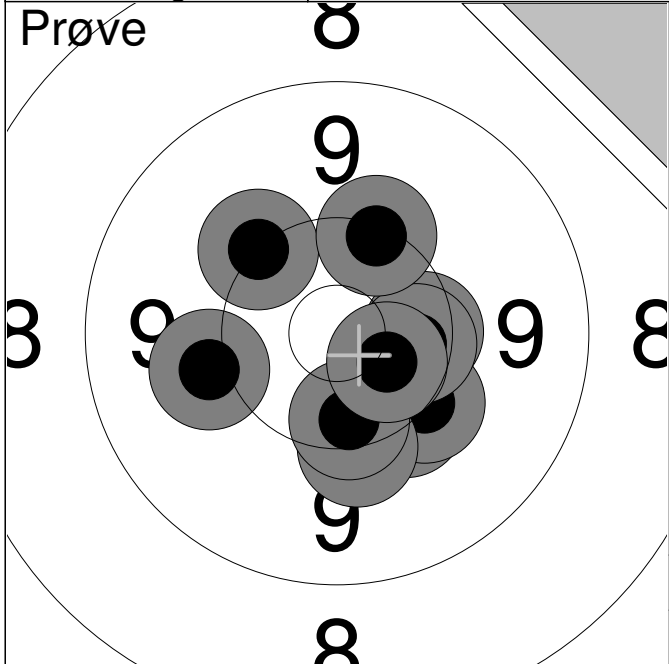
1:	9.3	↙
2:	9.6	↘
3:	8.6	↙
4:	8.9	↘
5:	9.9	↙
6:	9.0	↙
7:	9.8	↙
8:	10.1	↘
Serie		71.0
Total		0.0



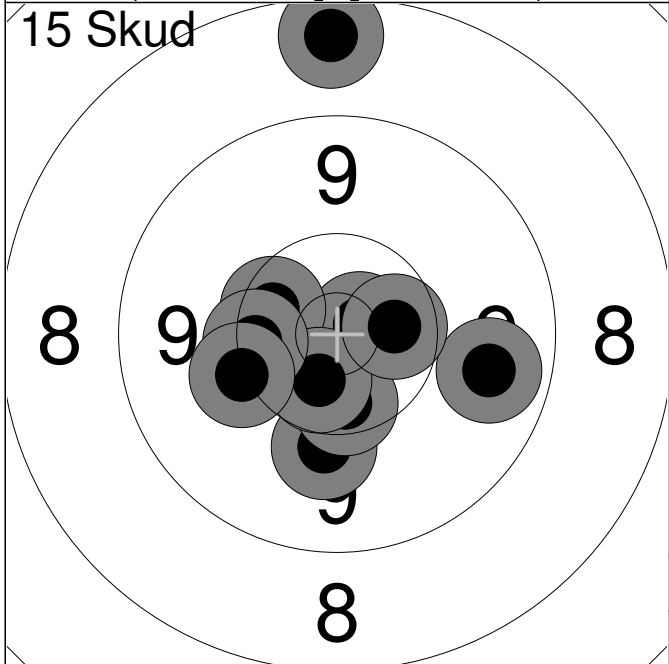
1:	9.6	←
2:	9.6	↗
3:	9.7	←
4:	*10.5	↗
5:	9.7	↗
6:	8.4	→
7:	*10.7	←
8:	9.9	→
9:	10.1	↖
10:	9.0	←
Serie		92.0
Total		92.0



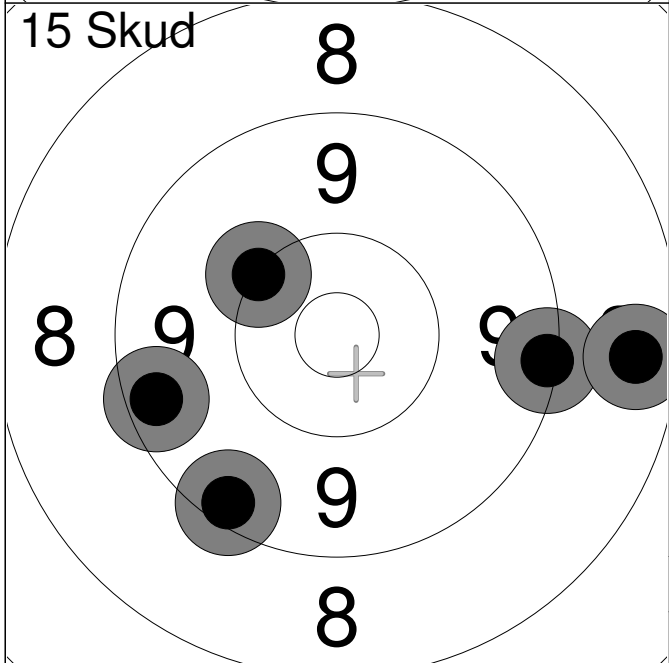
11:	8.2	→
12:	*10.7	↗
13:	9.7	↖
14:	*10.7	↙
15:	9.4	←
Serie		46.0
Total		138.0



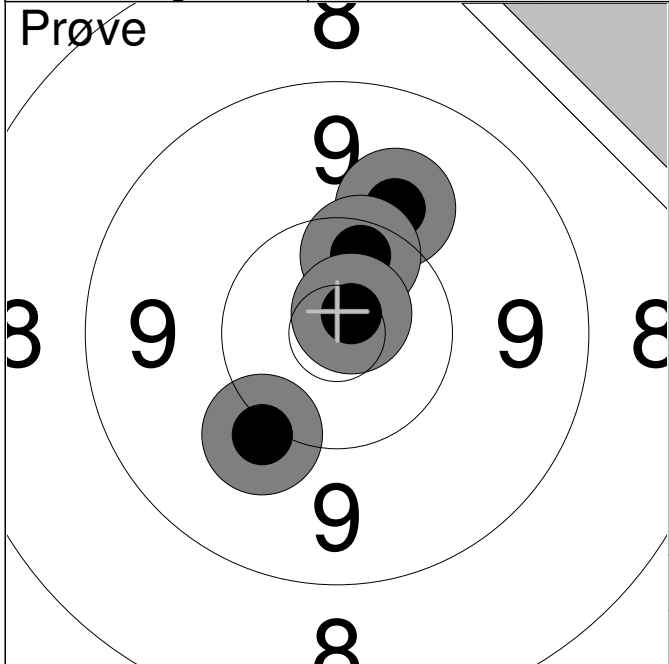
1:	10.2	↘
2:	10.2	↘
3:	10.4	→
4:	10.4	→
5:	10.2	↘
6:	10.2	↗
7:	10.2	↗
8:	10.4	↘
9:	10.0	←
10:	*10.6	↘
Serie		100.0
Total		0.0



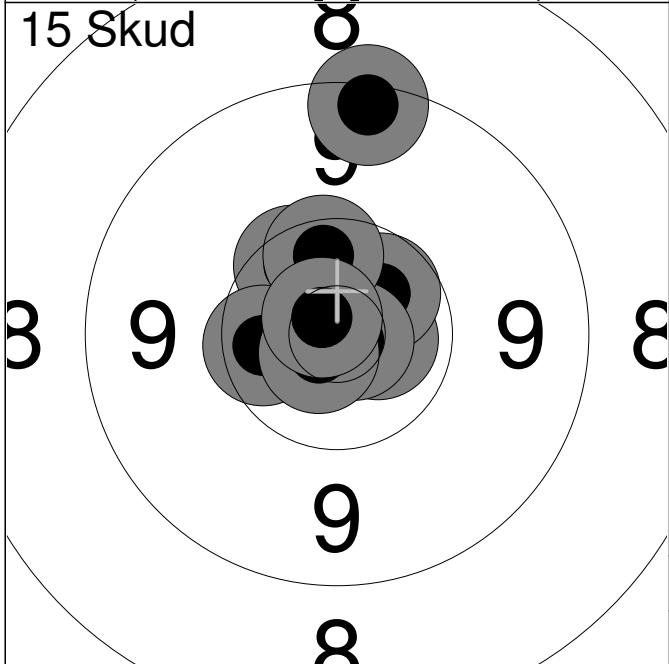
1:	*10.8	↗
2:	10.1	↘
3:	10.4	↘
4:	10.4	↖
5:	*10.6	↘
6:	8.5	↑
7:	9.7	→
8:	10.3	←
9:	*10.5	→
10:	10.1	↖
Serie		97.0
Total		97.0



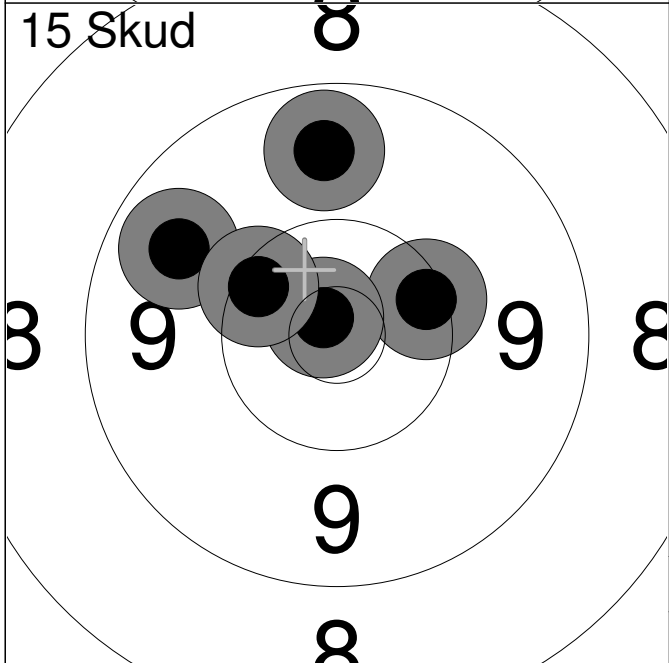
11:	9.4	←
12:	9.4	↘
13:	9.3	→
14:	10.2	↗
15:	8.5	→
Serie		45.0
Total		142.0



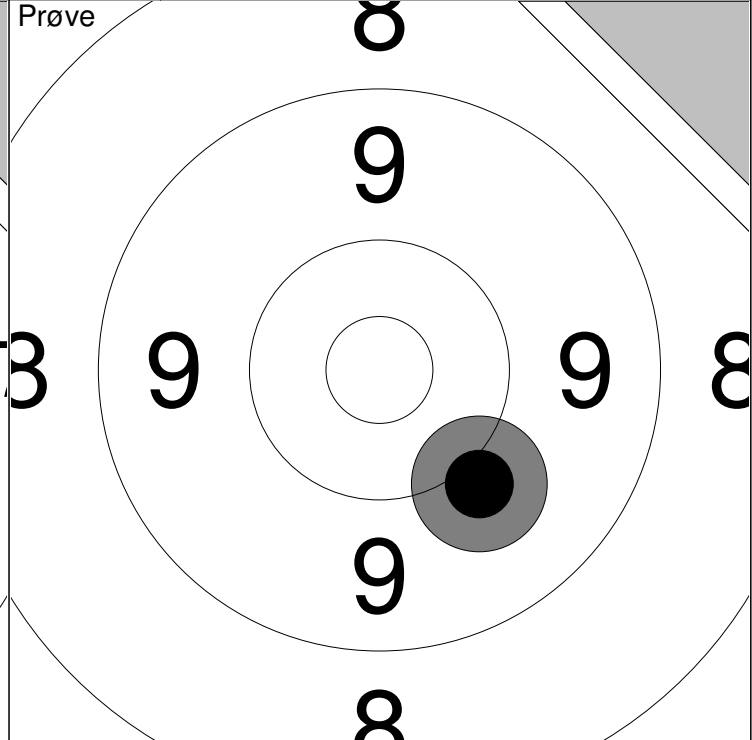
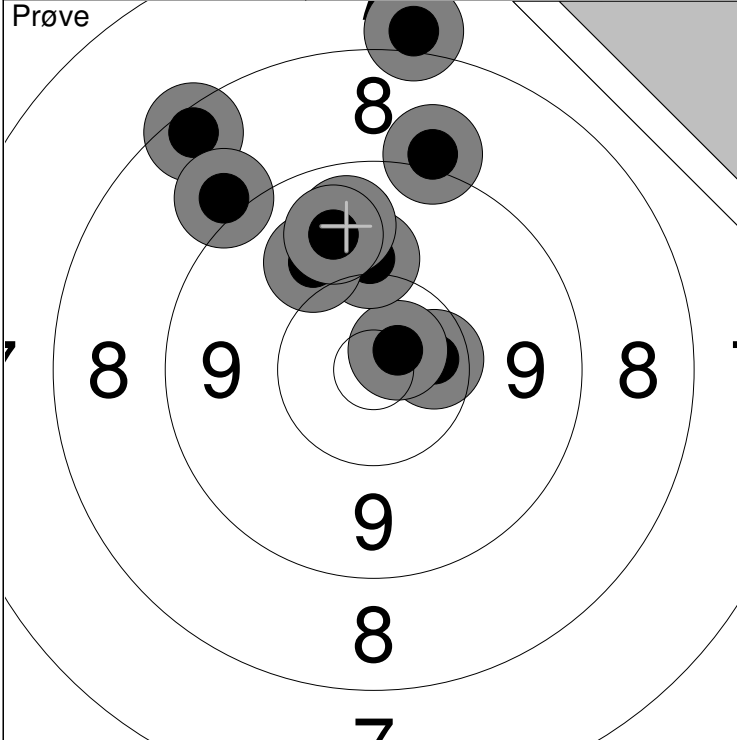
1:	10.0	↗
2:	10.1	↘
3:	10.4	↗
4:	*10.8	↗
Serie		40.0
Total		0.0



1:	*10.7	→
2:	*10.6	↗
3:	*10.5	↗
4:	*10.8	→
5:	10.4	↗
6:	9.3	↗
7:	10.4	↗
8:	*10.4	←
9:	*10.8	↘
10:	*10.8	↗
Serie		99.0
Total		99.0

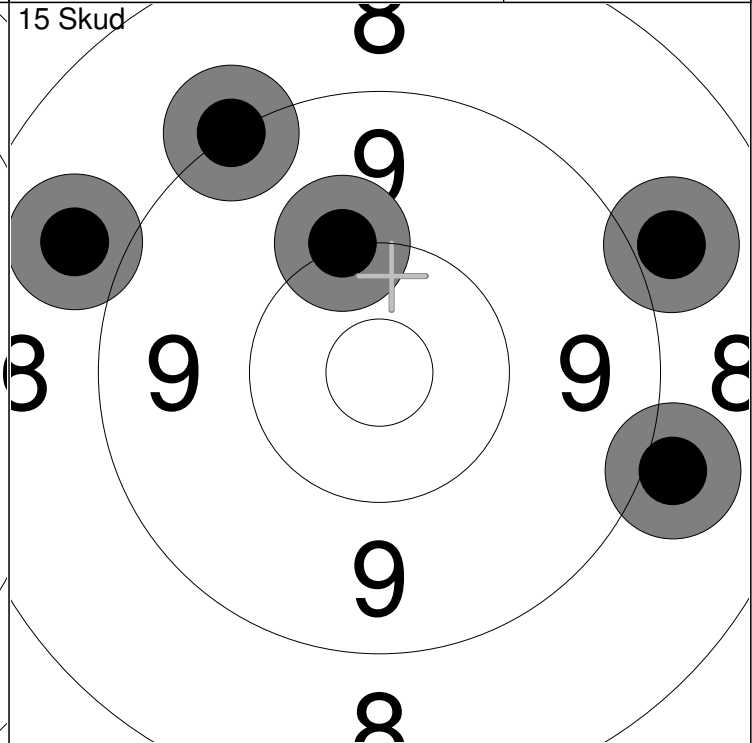
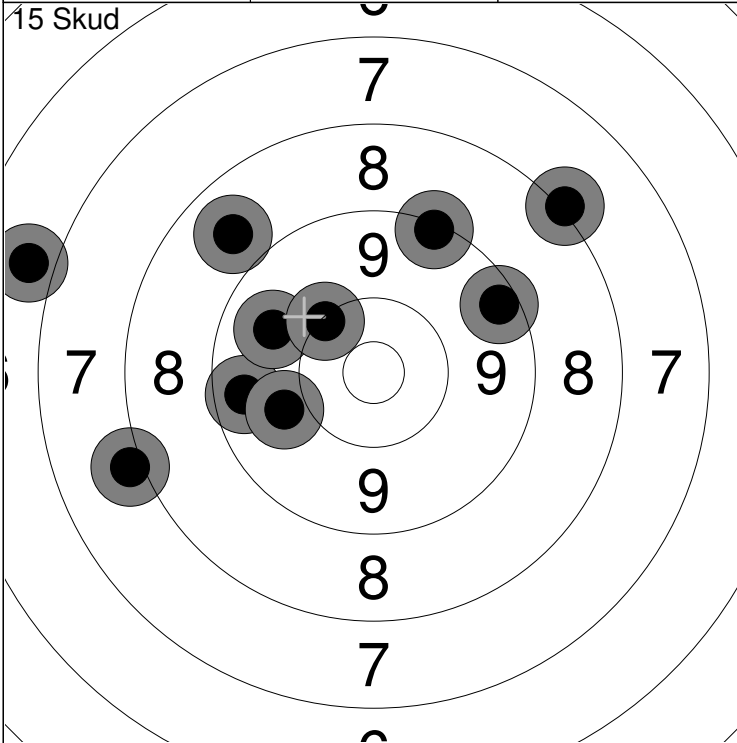


11:	9.7	↖
12:	10.3	→
13:	*10.8	↗
14:	9.7	↗
15:	10.3	↗
Serie		48.0
Total		147.0



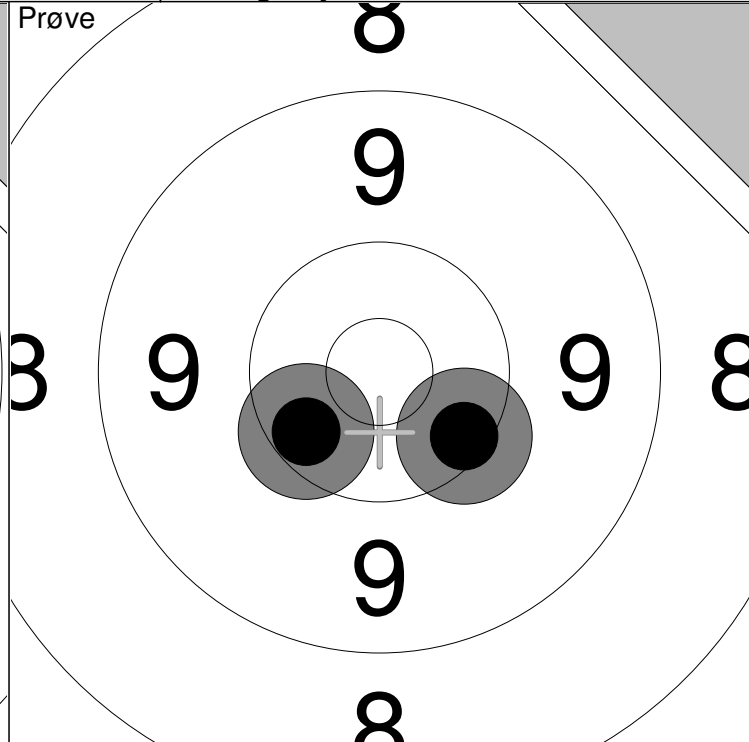
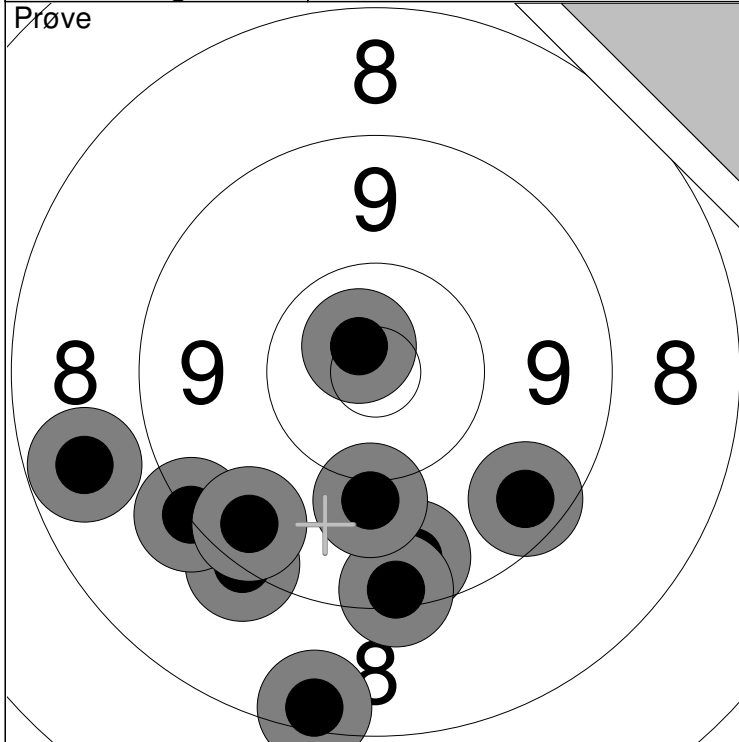
1: *10.4 →	6: 9.7 ↑	Serie	91.0
2: 8.4 ↖	7: 8.0 ↑		
3: *10.7 ↗	8: 9.9 ↖	Total	0.0
4: 9.0 ↖	9: 9.0 ↑		
5: 10.0 ↑	10: 9.8 ↑		

11: 10.0 ↘	Serie	10.0
	Total	0.0



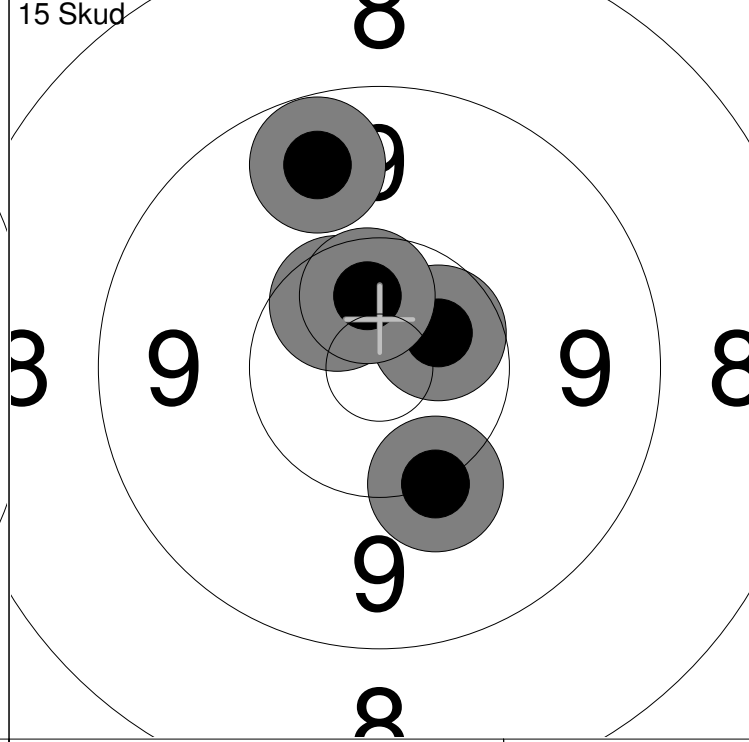
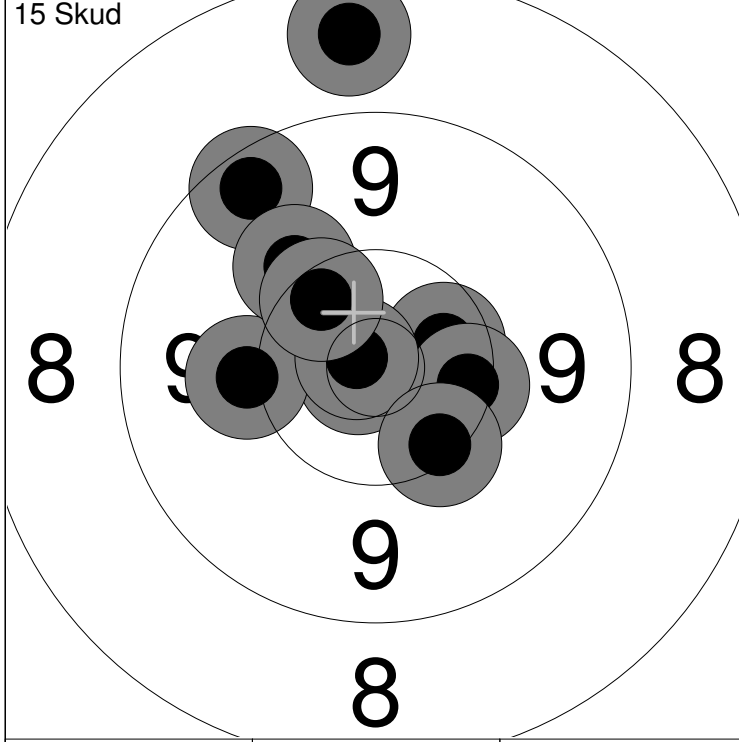
1: 8.0 ←	6: 9.2 ↑	Serie	85.0
2: 9.5 ←	7: 9.9 ←		
3: 6.9 ←	8: 9.4 →	Total	85.0
4: 8.8 ↖	9: 8.1 ↗		
5: 9.8 ←	10: 10.2 ↖		

11: 9.0 →	Serie	44.0
12: 8.8 ↖		
13: 10.1 ↑	Total	129.0
14: 9.2 ↖		
15: 8.9 →		



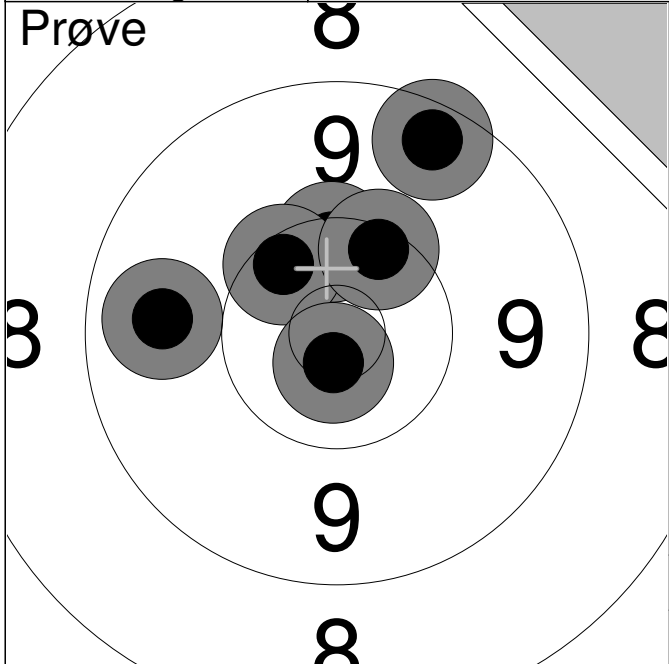
1: 9.5 ↓	6: 9.5 ↙	Serie	90.0
2: 9.2 ↙	7: *10.7 ↗		
3: 8.4 ↓	8: 9.3 ↓	Total	0.0
4: 9.2 ↙	9: 9.5 ↘		
5: 8.6 ←	10: 10.0 ↓		

11: 10.4 ↙	Serie	20.0
12: 10.3 ↘		
Total		0.0

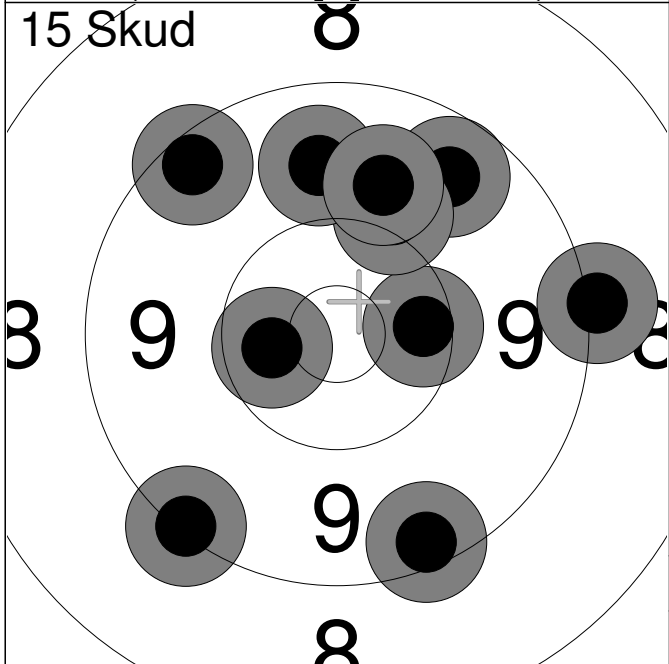


1: 9.4 ↗	6: *10.8 ↗	Serie	97.0
2: *10.8 ←	7: 10.1 ↗		
3: *10.5 →	8: 10.4 ↗	Total	97.0
4: 10.1 ←	9: 10.3 ↘		
5: 10.3 →	10: 8.6 ↑		

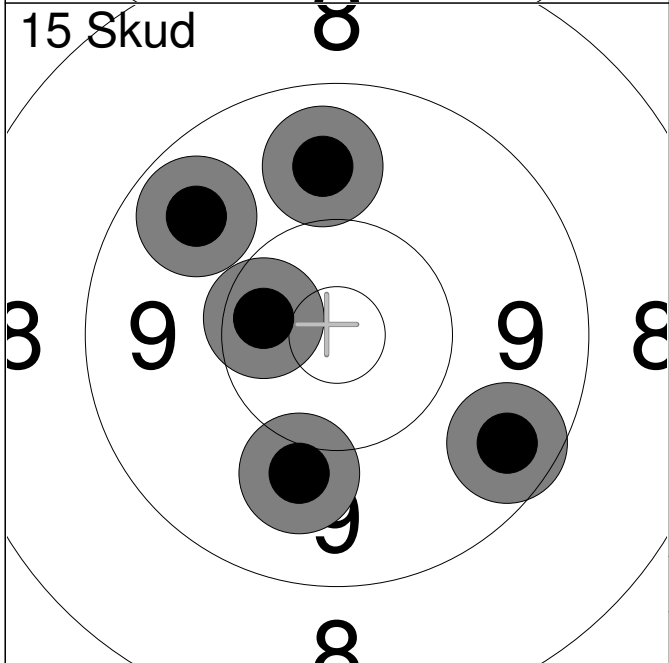
11: 9.6 ↗	Serie	49.0
12: *10.5 ↗		
13: 10.2 ↓	Total	146.0
14: *10.5 ↗		
15: *10.5 ↑		



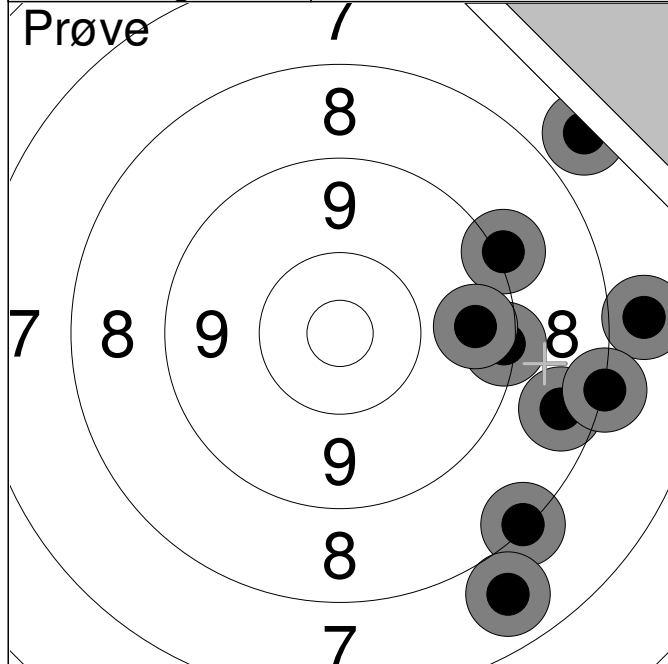
1:	10.3	↑
2:	10.4	↖
3:	9.4	↗
4:	9.7	←
5:	10.3	↗
6:	*10.7	↓
Serie		58.0
Total		0.0



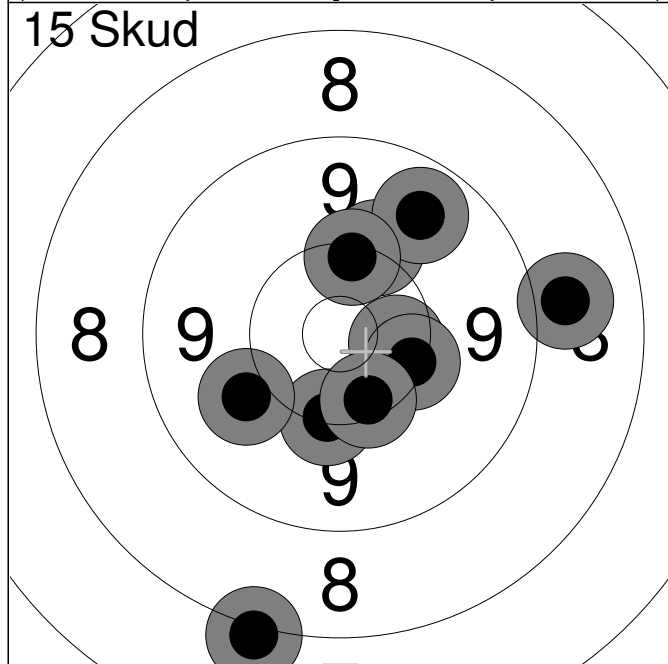
1:	9.4	↘
2:	9.4	↗
3:	9.1	→
4:	9.6	↗
5:	10.4	→
6:	10.1	↗
7:	9.8	↑
8:	9.9	↑
9:	9.2	↘
10:	*10.5	←
Serie		93.0
Total		93.0



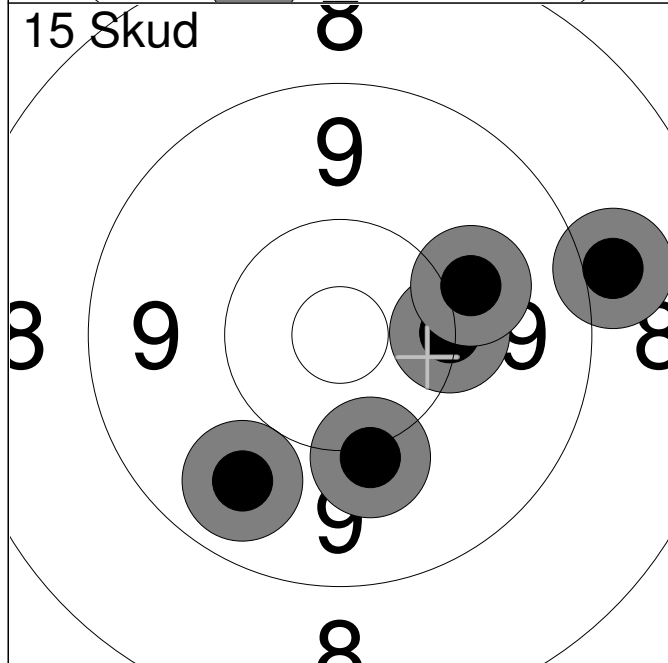
11:	9.7	↗
12:	9.8	↑
13:	10.0	↘
14:	*10.4	←
15:	9.5	↘
Serie		47.0
Total		140.0



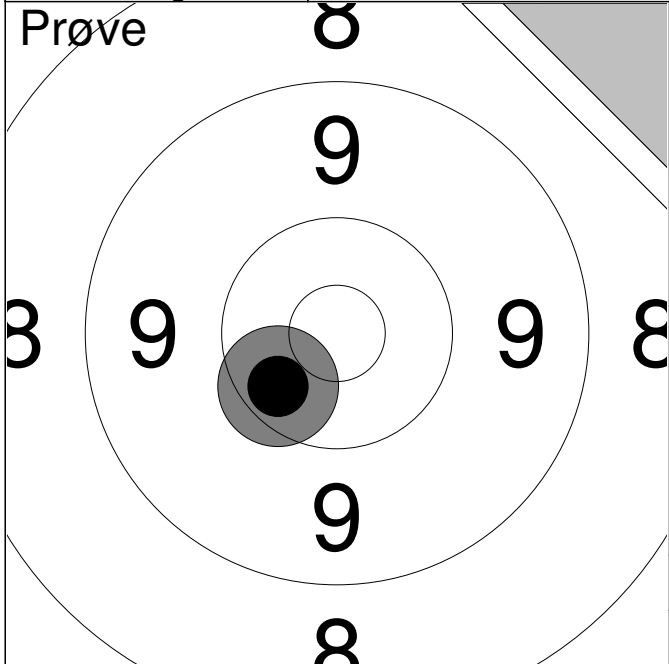
1:	8.6	→
2:	8.2	↓
3:	7.7	↓
4:	9.3	→
5:	7.8	→
6:	9.1	↗
7:	7.7	↗
8:	8.2	→
9:	9.6	→
Serie		72.0
Total		0.0



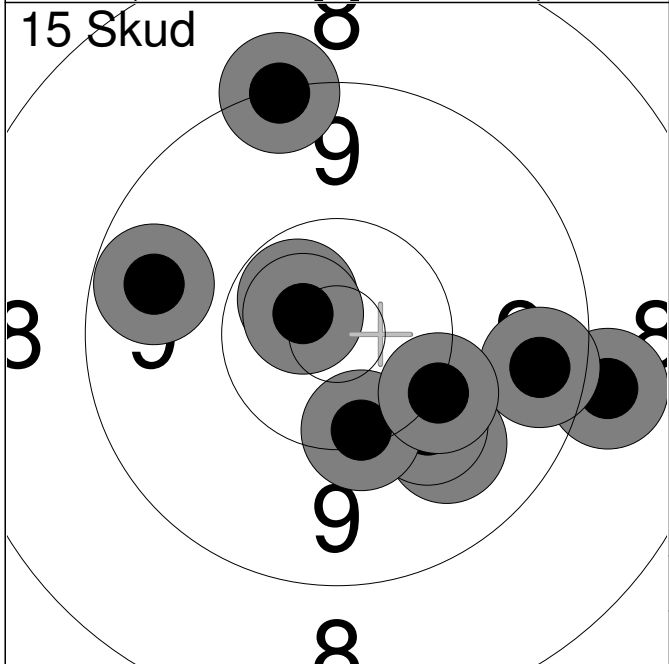
1:	10.1	↗
2:	9.7	↗
3:	10.2	↓
4:	10.3	↑
5:	8.9	→
6:	8.1	↓
7:	*10.4	→
8:	10.3	→
9:	10.0	↙
10:	10.3	↓
Serie		95.0
Total		95.0



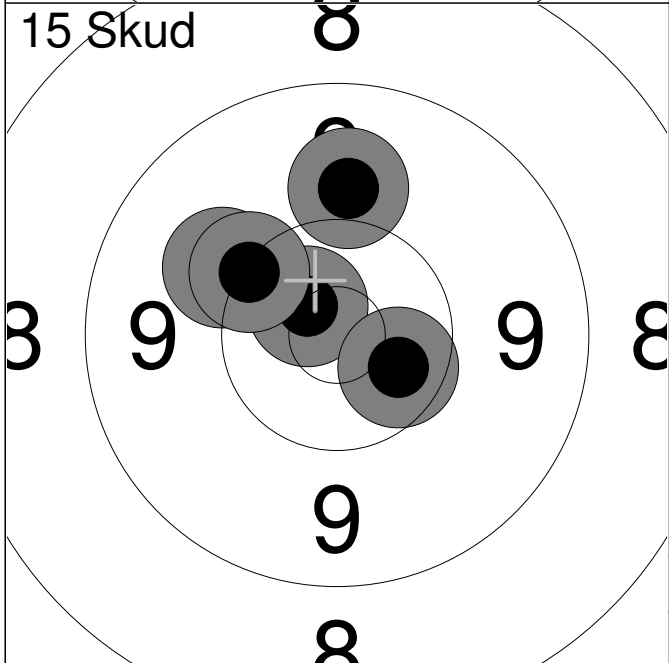
11:	10.2	→
12:	10.1	↓
13:	10.0	→
14:	9.7	↙
15:	9.0	→
Serie		48.0
Total		143.0



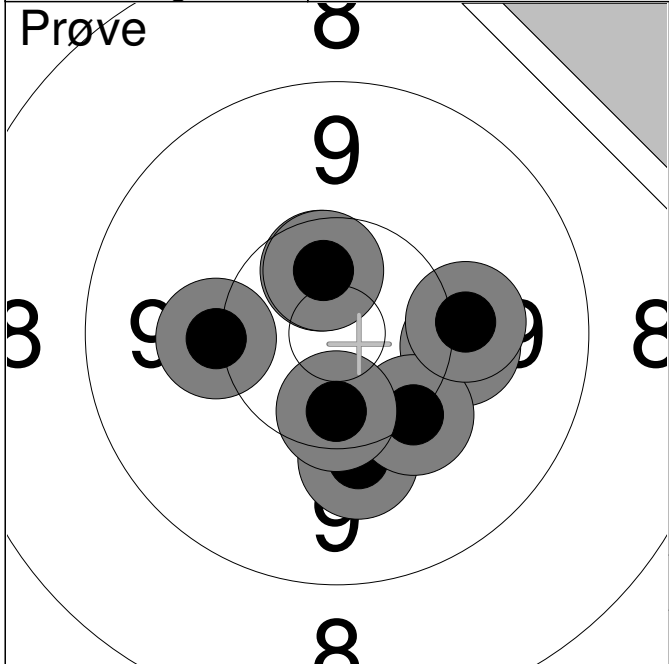
	1:	10.4	↙
<hr/>			
Serie			10.0
Total			0.0



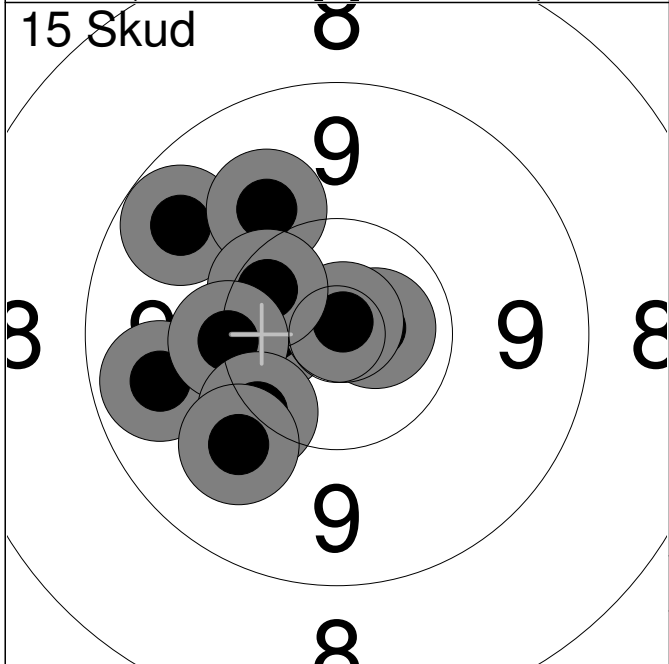
	1:	9.0	→
	2:	*10.6	↗
	3:	9.9	↘
	4:	9.5	→
	5:	10.1	↘
	6:	10.3	↘
	7:	10.1	↘
	8:	9.2	↗
	9:	9.6	↗
	10:	*10.7	↗
<hr/>			
Serie			95.0
Total			95.0



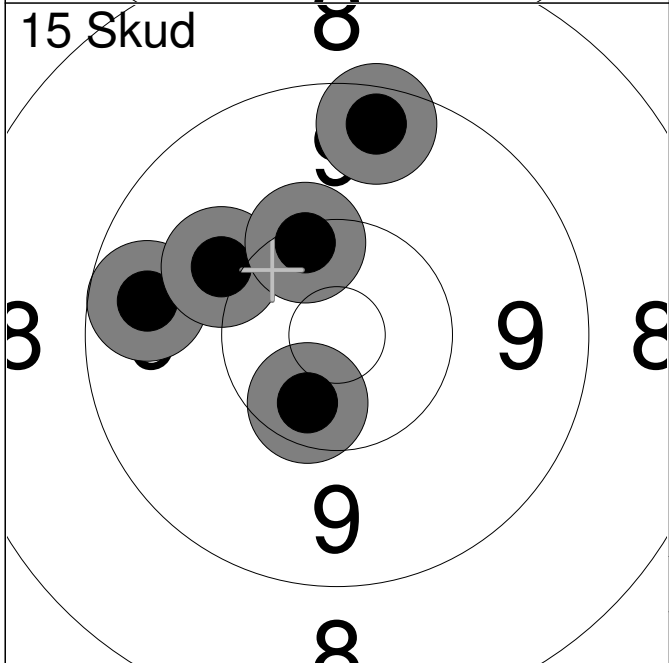
	11:	*10.7	↗
	12:	9.9	↗
	13:	10.0	↗
	14:	*10.5	↘
	15:	10.2	↗
<hr/>			
Serie			49.0
Total			144.0



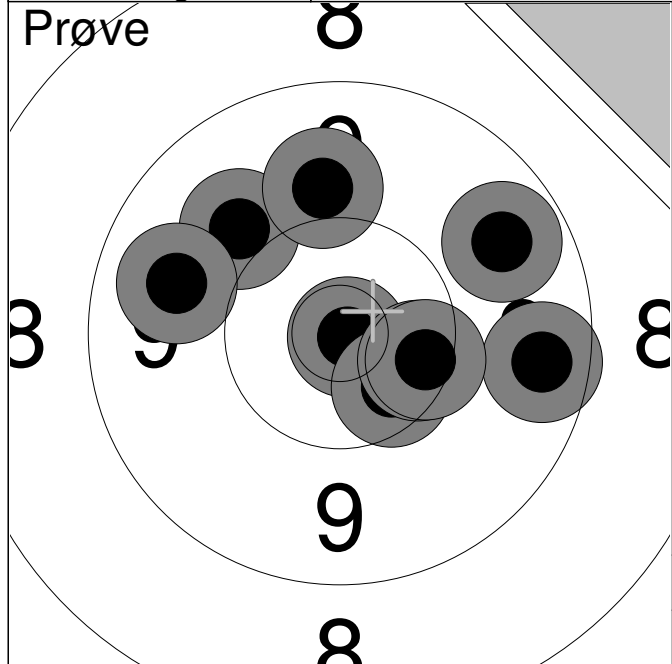
1:	10.1	→
2:	10.1	↓
3:	10.2	↓
4:	*10.4	↓
5:	10.1	←
6:	*10.5	↑
7:	10.1	→
8:	*10.5	↑
Serie		80.0
Total		0.0



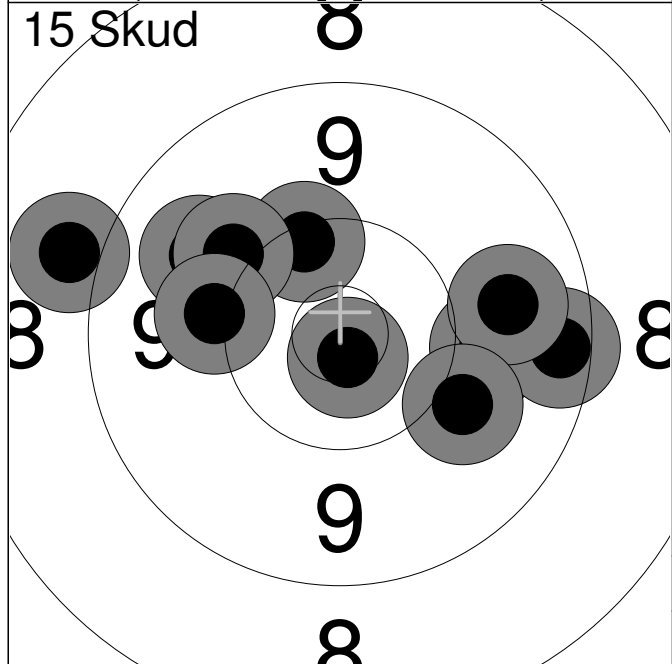
1:	9.6	↗
2:	9.7	←
3:	*10.5	←
4:	*10.7	→
5:	*10.9	↗
6:	10.0	↗
7:	10.4	↗
8:	10.2	←
9:	10.2	↘
10:	9.9	↘
Serie		97.0
Total		97.0



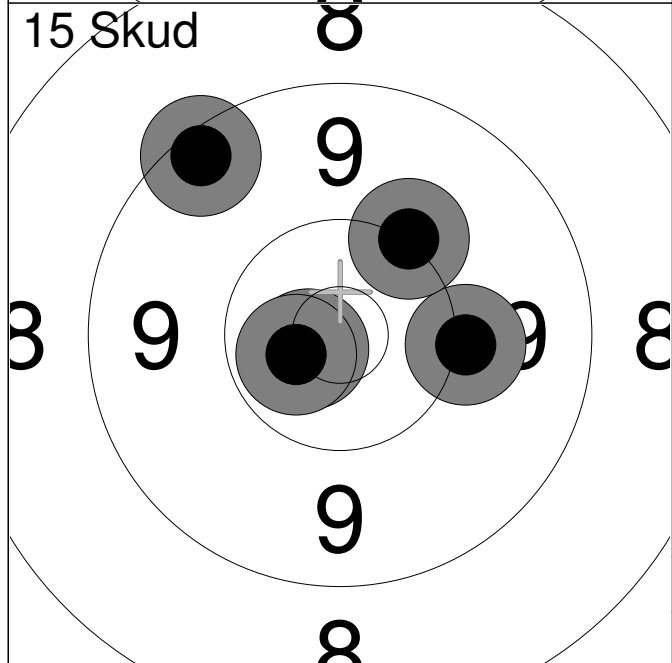
11:	*10.4	↘
12:	9.6	←
13:	10.0	↗
14:	9.4	↑
15:	10.3	↗
Serie		48.0
Total		145.0



1:	9.7	↗
2:	9.5	→
3:	*10.9	↘
4:	10.0	↗
5:	10.0	↗
6:	9.8	↗
7:	*10.4	↘
8:	10.4	↘
9:	10.3	↘
Serie		87.0
Total		0.0



1:	9.9	→
2:	9.8	↗
3:	10.3	↗
4:	8.9	↗
5:	10.0	↗
6:	9.4	→
7:	9.8	→
8:	*10.8	↘
9:	10.0	↘
10:	10.1	←
Serie		94.0
Total		94.0



11:	10.1	→
12:	9.4	↗
13:	*10.7	↖
14:	10.1	↗
15:	*10.6	↖
Serie		49.0
Total		143.0

Hold
23

Skive
5

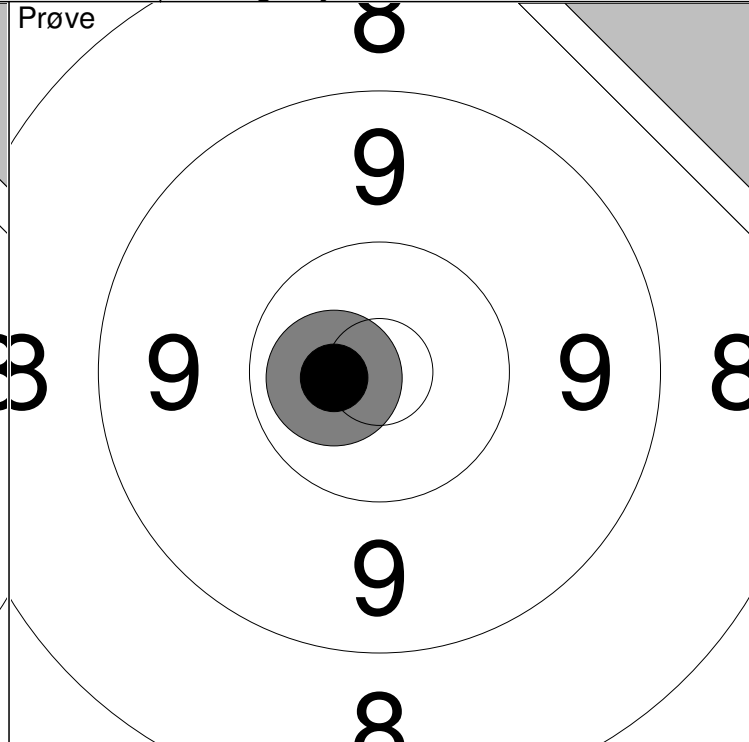
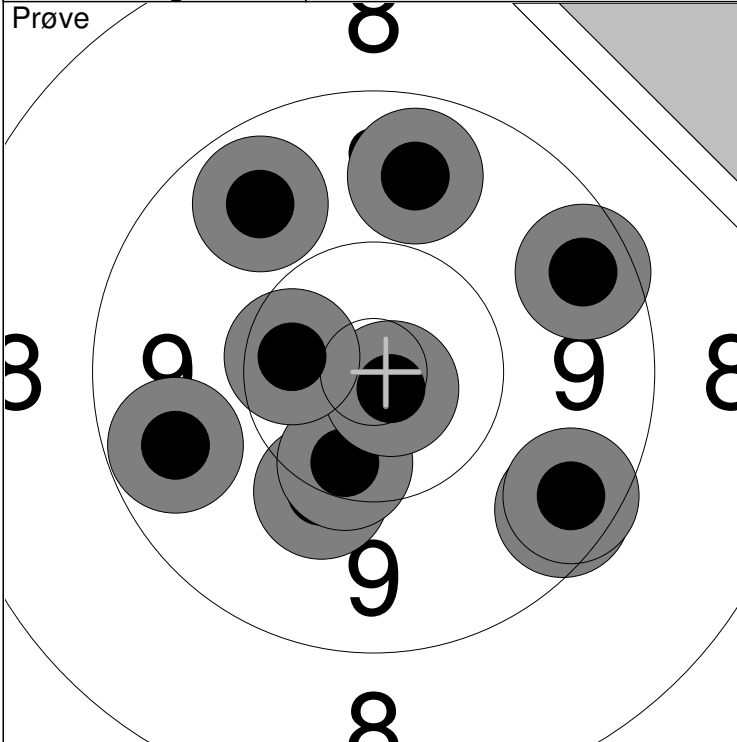
Simon Andersen

Vilsted Skf.

27. - 28. august 2011

NM 2011

Aalborg Skyttekreds



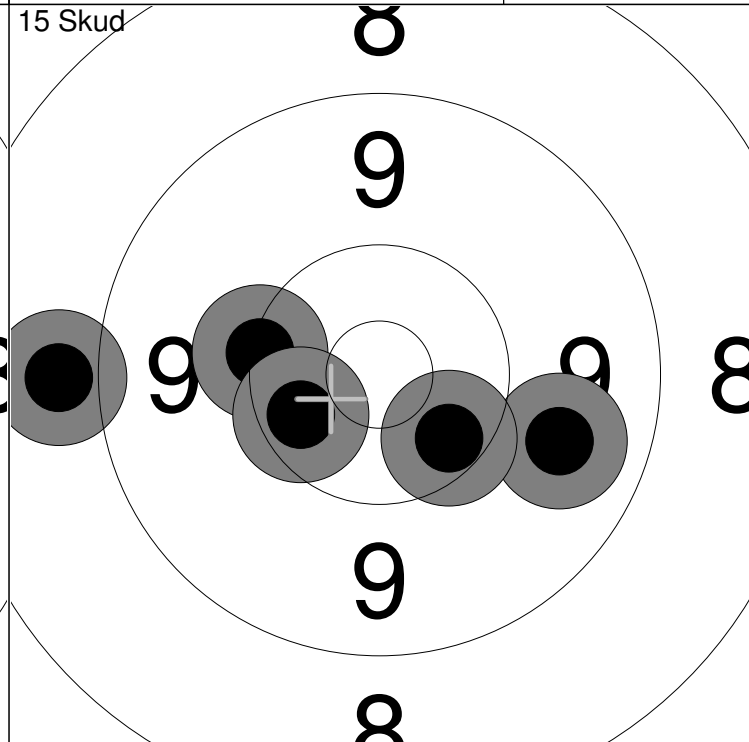
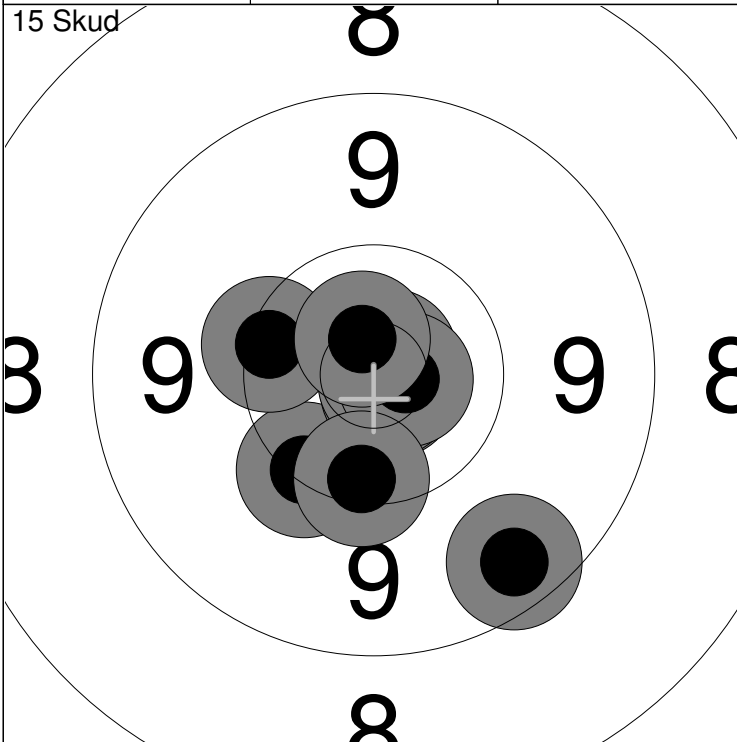
1: 9.5 ↘
2: 10.2 ↘
3: 10.4 ↘
4: 9.7 ↗
5: 9.7 ↗

6: *10.8 ↘
7: 9.5 ↘
8: 9.6 ←
9: 9.5 ↗
10: *10.4 ←

Serie 94.0
Total 0.0

11: *10.7 ←

Serie 10.0
Total 0.0



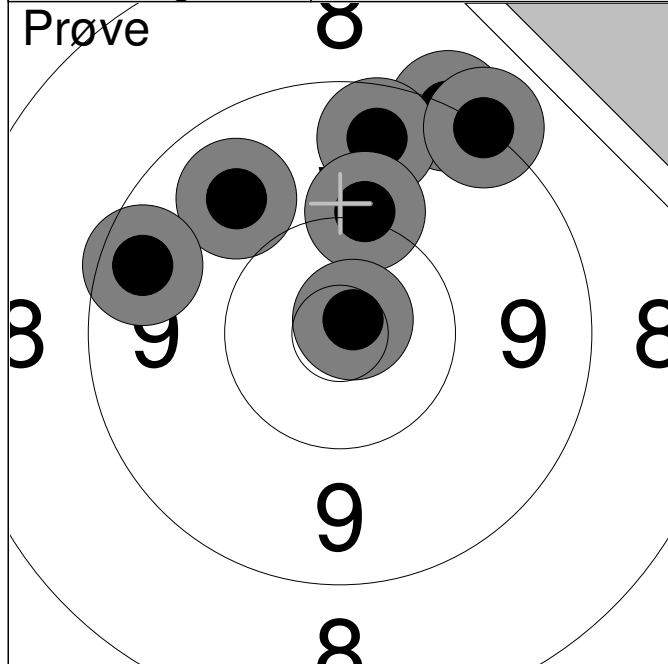
1: 10.2 ↘
2: *10.8 ↘
3: 10.3 ←
4: *10.8 ↗
5: *10.8 ↘

6: *10.9 ↘
7: 9.5 ↘
8: *10.8 →
9: 10.3 ↘
10: *10.7 ↗

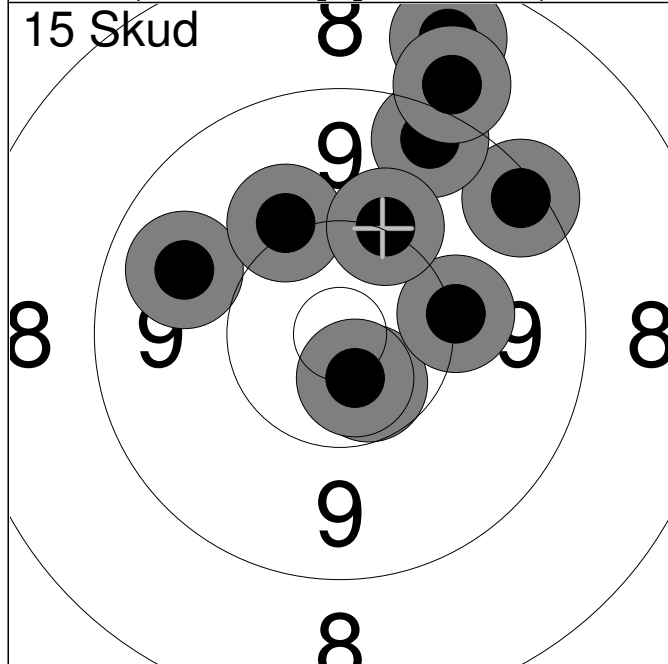
Serie 99.0
Total 99.0

11: 10.2 ←
12: 8.9 ←
13: 9.8 →
14: 10.4 ←
15: 10.4 ↘

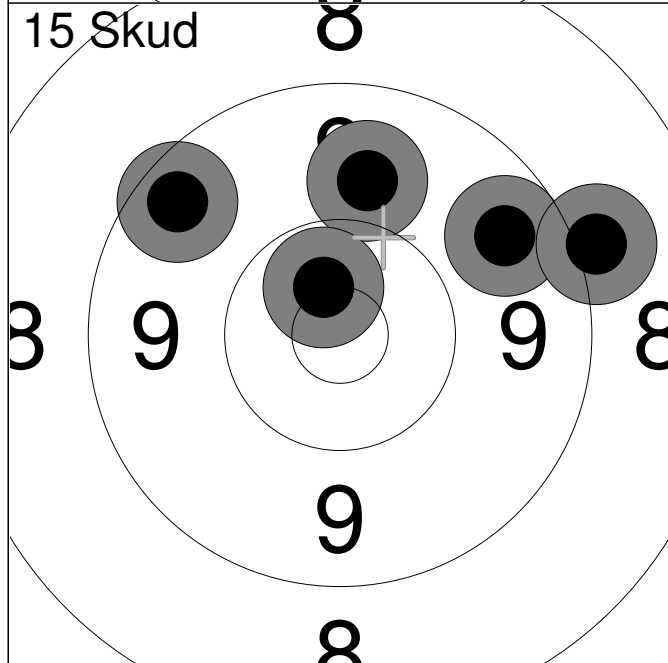
Serie 47.0
Total 146.0



1:	9.8	↖
2:	9.2	↗
3:	9.5	↖
4:	9.6	↗
5:	10.1	↗
6:	9.2	↗
7:	*10.8	↗
Serie		65.0
Total		0.0



1:	*10.5	↘
2:	9.8	↖
3:	8.7	↗
4:	10.1	↗
5:	9.3	↗
6:	9.4	↗
7:	10.1	→
8:	*10.6	↘
9:	9.0	↗
10:	10.1	↗
Serie		94.0
Total		94.0



11:	9.9	↗
12:	*10.6	↗
13:	9.6	↗
14:	9.5	↖
15:	9.0	→
Serie		46.0
Total		140.0

Hold
23

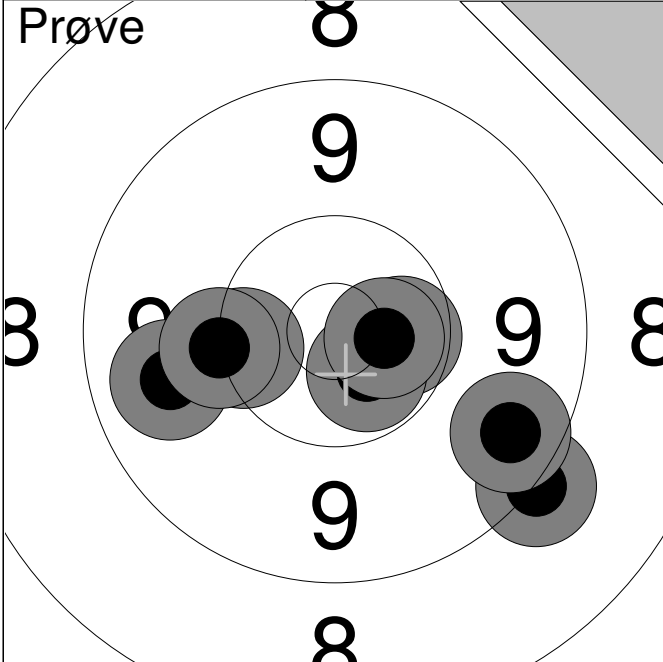
Skive
7

Patrick Hansen

Pandrup Skytteforening

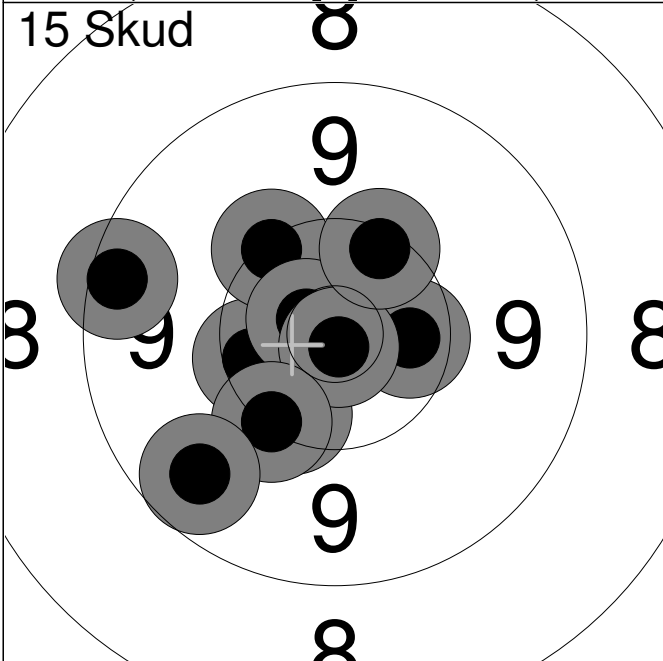
27. - 28. august 2011 NM 2011

Aalborg Skyttekreds



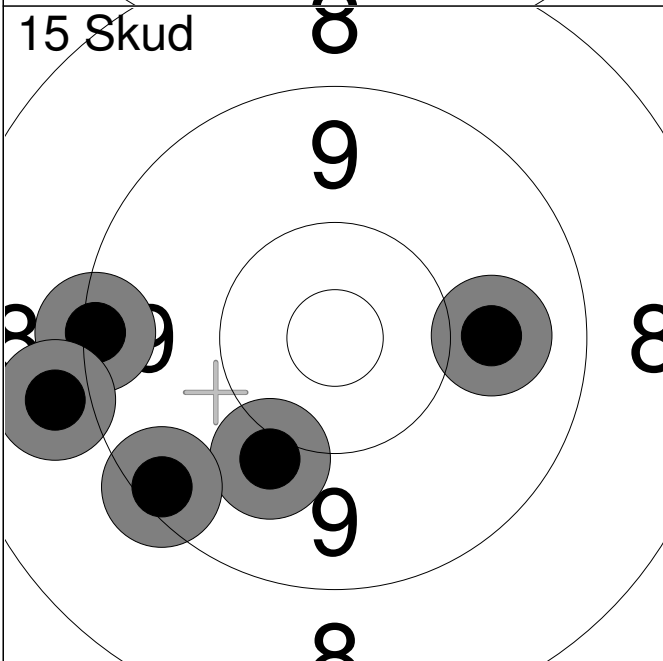
1:	9.2	↘
2:	10.3	←
3:	*10.5	→
4:	9.8	←
5:	10.1	←
6:	*10.6	↘
7:	9.5	↘
8:	*10.6	→

Serie	77.0
Total	0.0



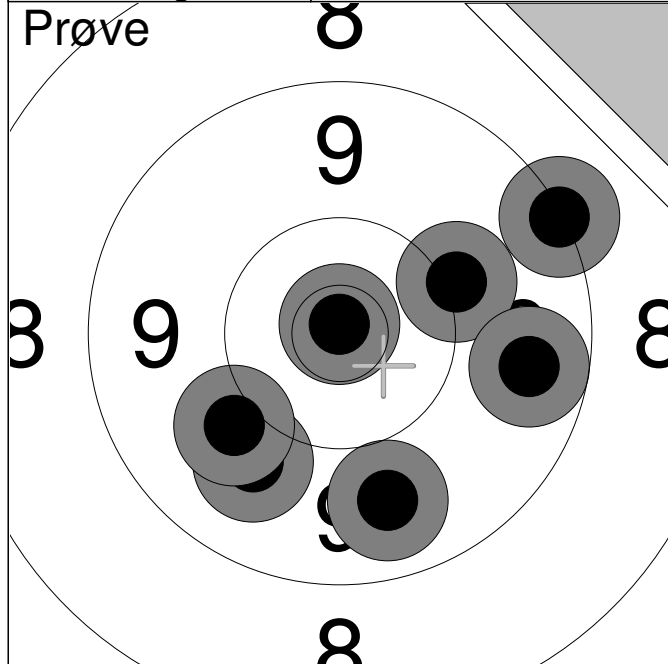
1:	*10.4	→
2:	10.3	↘
3:	10.4	←
4:	10.2	↗
5:	*10.7	↗
6:	*10.9	↘
7:	10.3	↗
8:	9.4	←
9:	10.2	↘
10:	9.6	↘

Serie	98.0
Total	98.0

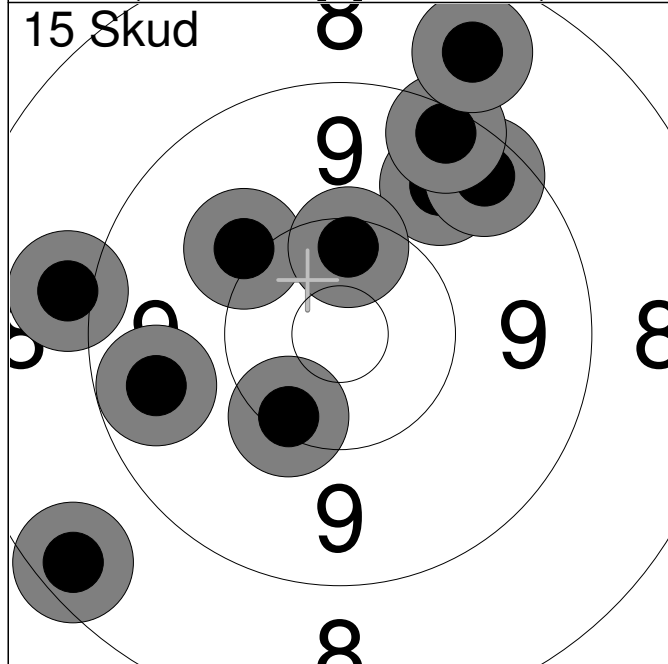


11:	10.0	↘
12:	9.9	→
13:	9.3	←
14:	8.9	←
15:	9.3	↘

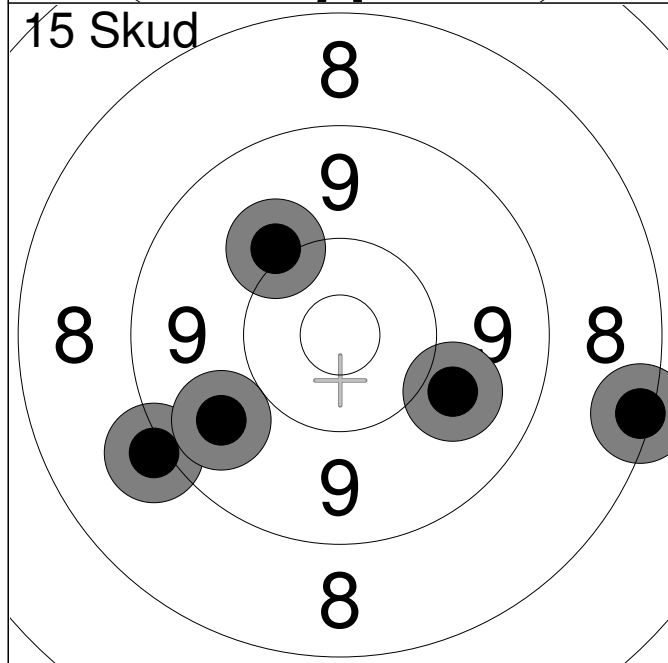
Serie	45.0
Total	143.0



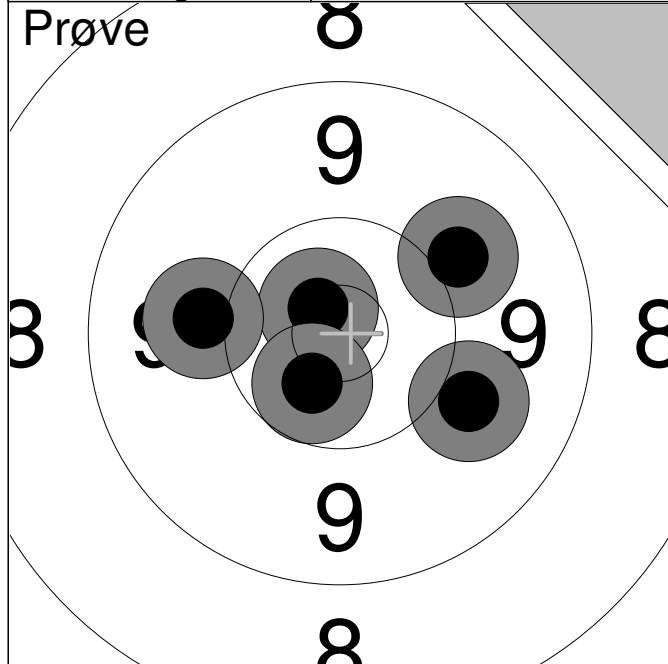
	1:	9.9	↙
	2:	9.7	↓
	3:	9.2	↗
	4:	*10.9	↑
	5:	10.0	↙
	6:	10.1	↗
	7:	9.6	→
Serie			66.0
Total			0.0



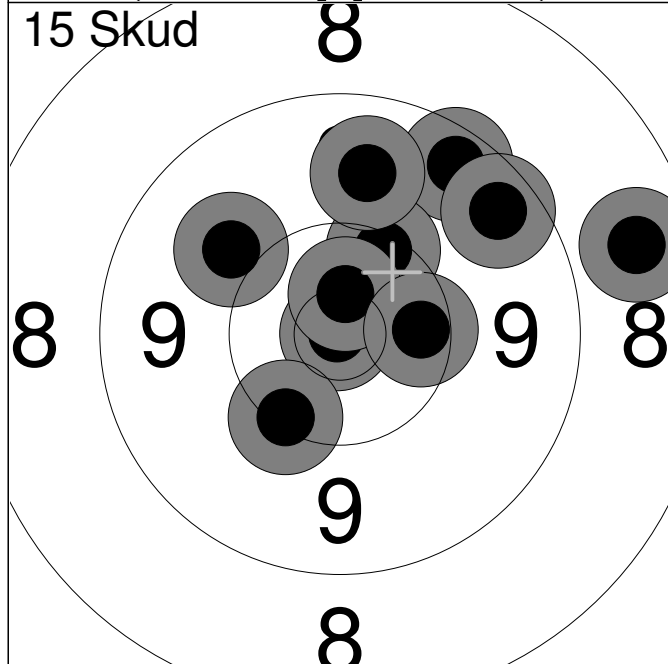
	1:	10.1	↖
	2:	9.7	↗
	3:	9.5	↗
	4:	9.4	↗
	5:	9.0	←
	6:	8.4	↙
	7:	9.6	←
	8:	10.4	↑
	9:	8.7	↗
	10:	10.3	↙
Serie			91.0
Total			91.0



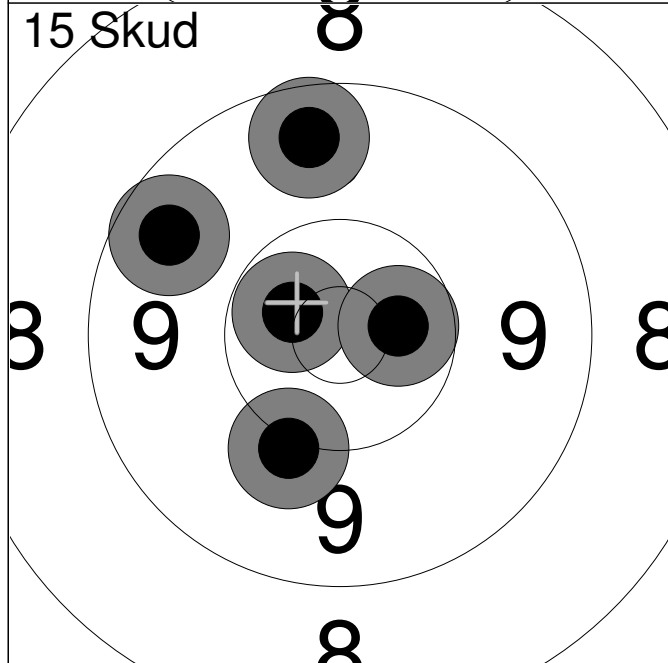
	11:	9.1	↙
	12:	10.1	↗
	13:	9.9	↘
	14:	8.3	↗
	15:	9.7	↙
Serie			45.0
Total			136.0



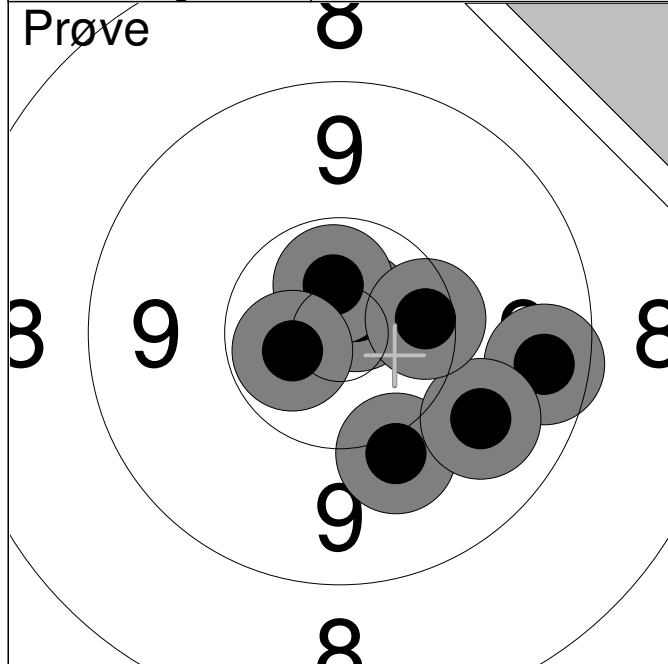
1:	10.0	↘
2:	*10.7	↗
3:	*10.6	↙
4:	10.0	↗
5:	10.0	←
Serie		50.0
Total		0.0



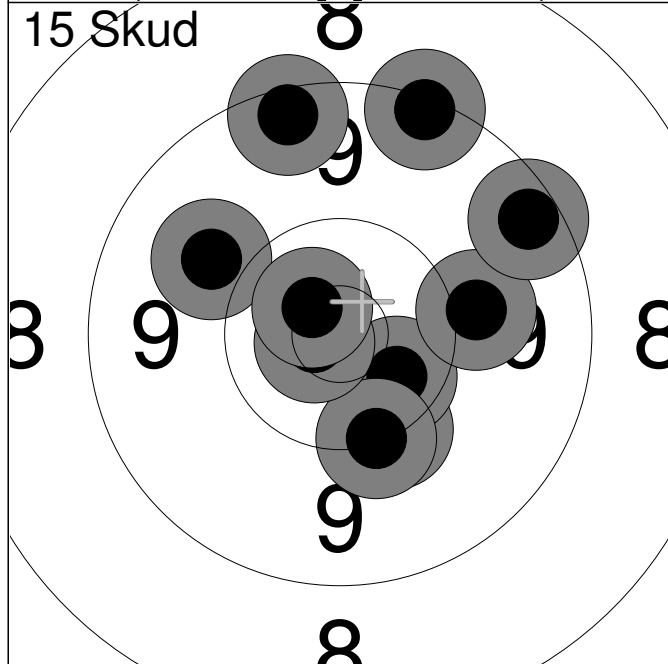
1:	9.4	↗
2:	*10.9	←
3:	10.3	↗
4:	10.2	↙
5:	*10.7	↑
6:	10.4	→
7:	8.6	→
8:	10.0	↖
9:	9.8	↑
10:	9.5	↗
Serie		95.0
Total		95.0



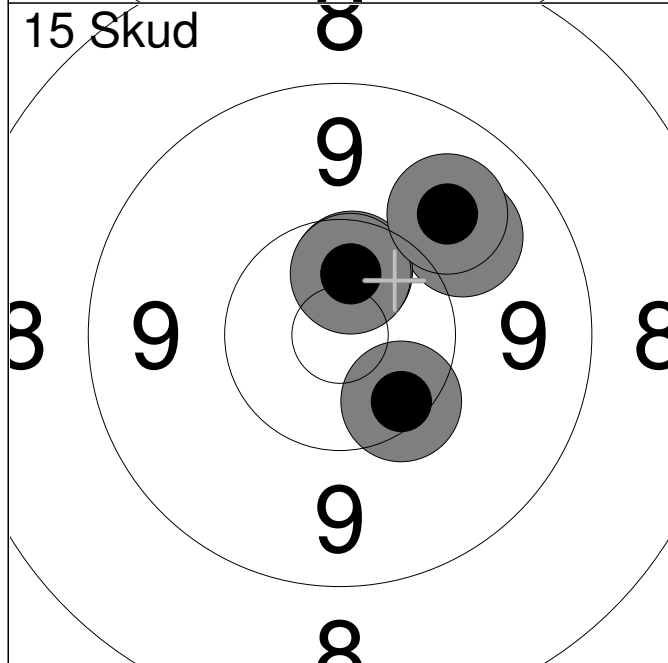
11:	*10.6	↖
12:	10.1	↙
13:	*10.5	→
14:	9.6	↗
15:	9.6	↑
Serie		48.0
Total		143.0



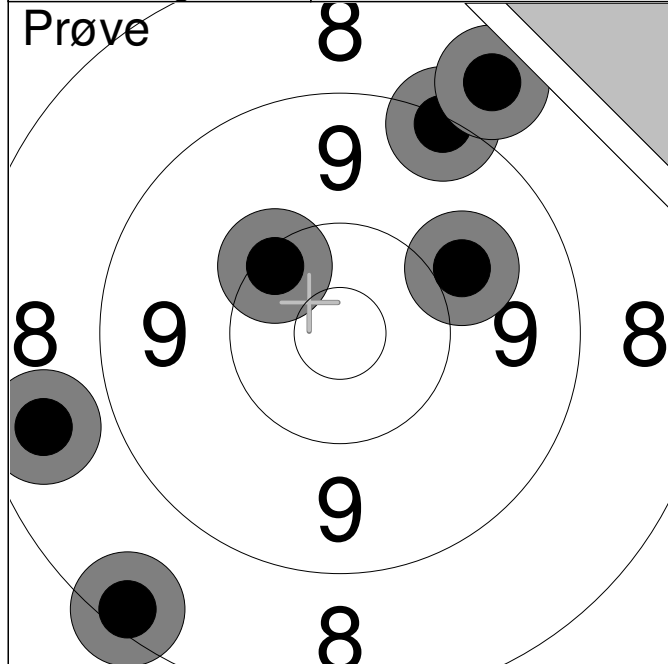
1:	*10.8	↗
2:	9.5	→
3:	10.0	↘
4:	*10.6	↑
5:	9.8	↘
6:	10.4	→
7:	*10.6	←
Serie		68.0
Total		0.0



1:	10.2	↘
2:	*10.5	↘
3:	10.2	↘
4:	9.3	↑
5:	9.4	↑
6:	10.0	→
7:	9.4	↗
8:	9.9	↗
9:	*10.8	←
10:	*10.7	↗
Serie		96.0
Total		96.0

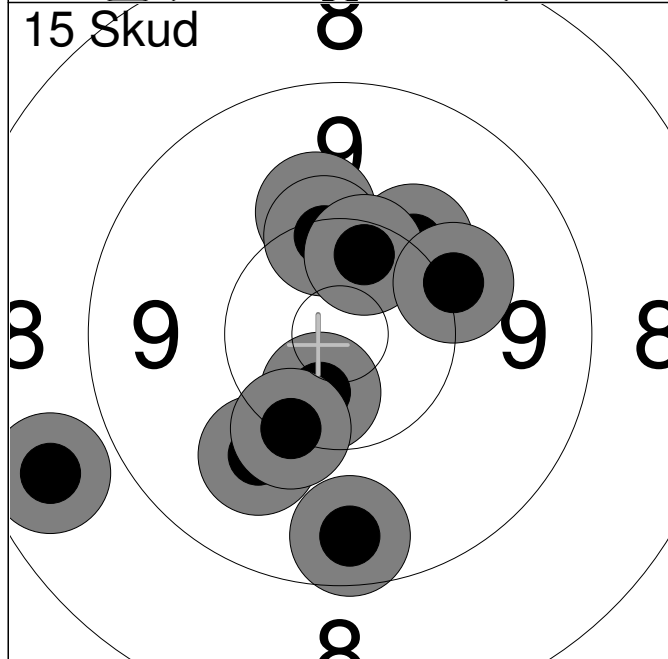


11:	10.3	↘
12:	9.9	↗
13:	*10.5	↑
14:	*10.5	↑
15:	9.8	↗
Serie		48.0
Total		144.0



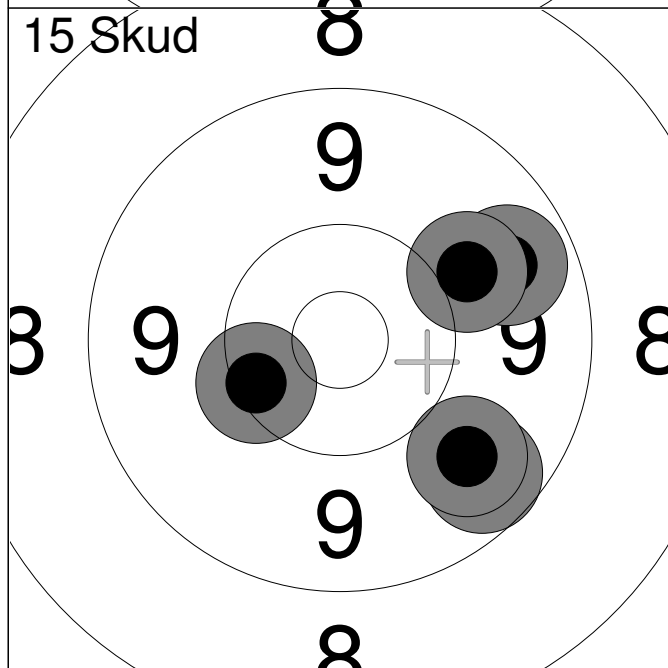
1:	9.2	↗
2:	10.0	→
3:	8.8	↗
4:	8.6	↖
5:	8.3	↙
6:	10.3	↖

Serie	53.0
Total	0.0



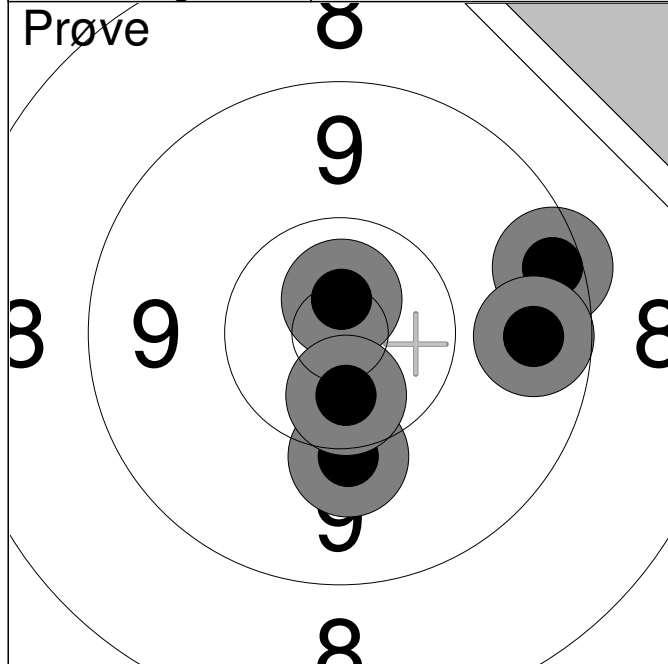
1:	10.2	↗
2:	10.1	↑
3:	*10.5	↙
4:	10.3	↑
5:	10.4	↑
6:	10.1	→
7:	8.7	↖
8:	9.9	↙
9:	10.2	↙
10:	9.5	↓

Serie	96.0
Total	96.0



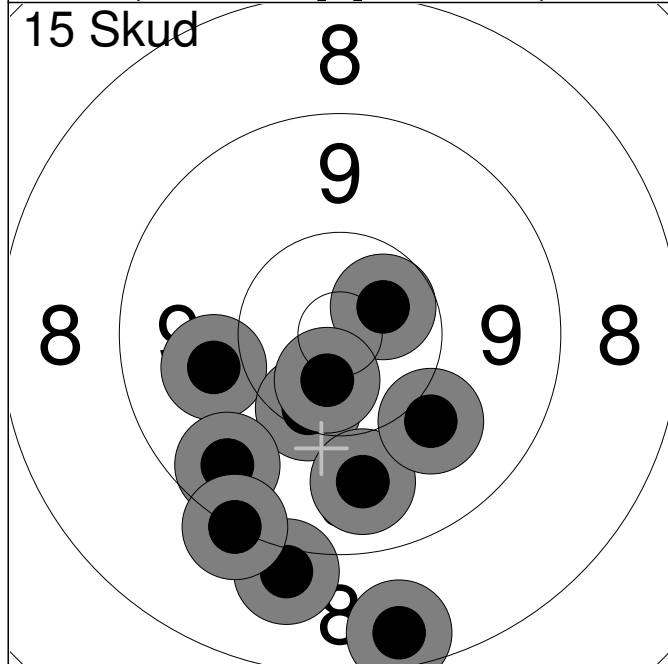
11:	9.6	↘
12:	9.7	→
13:	10.0	↗
14:	10.3	↖
15:	9.8	↘

Serie	47.0
Total	143.0



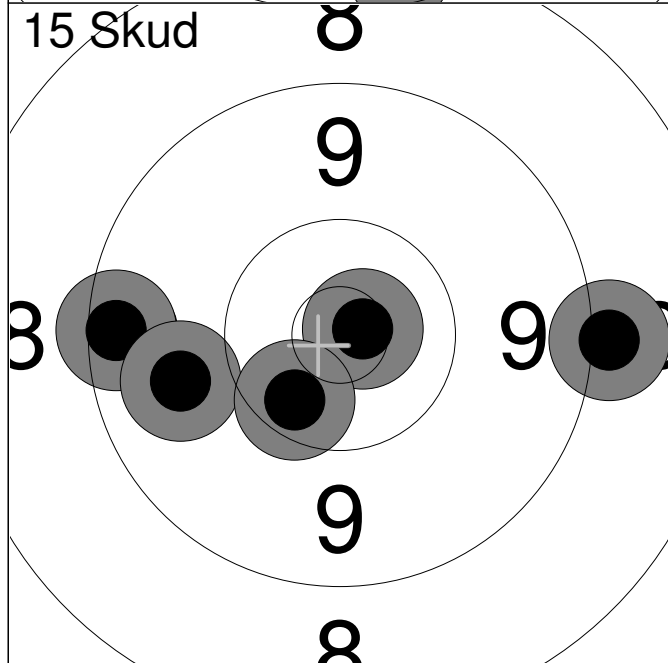
1:	9.4	→
2:	9.6	→
3:	*10.7	↑
4:	10.1	↓
5:	*10.5	↓

Serie	48.0
Total	0.0



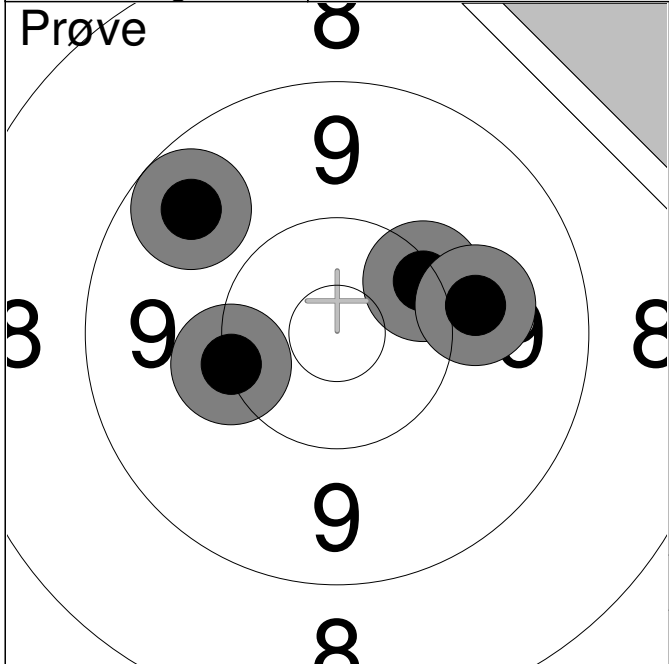
1:	*10.6	↗
2:	9.9	←
3:	10.3	↓
4:	9.6	↙
5:	*10.6	↓
6:	9.0	↓
7:	8.5	↓
8:	9.8	↓
9:	9.2	↙
10:	10.0	↓

Serie	93.0
Total	93.0

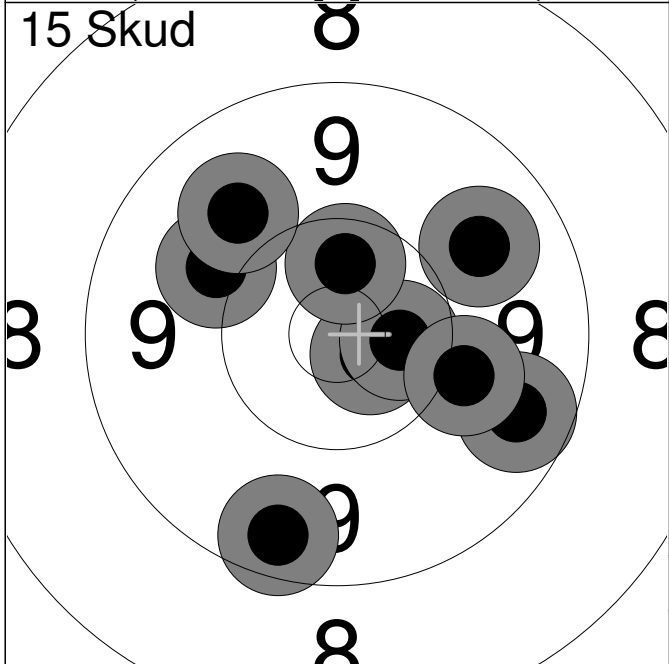


11:	9.0	→
12:	*10.8	→
13:	9.4	←
14:	9.8	←
15:	10.4	↙

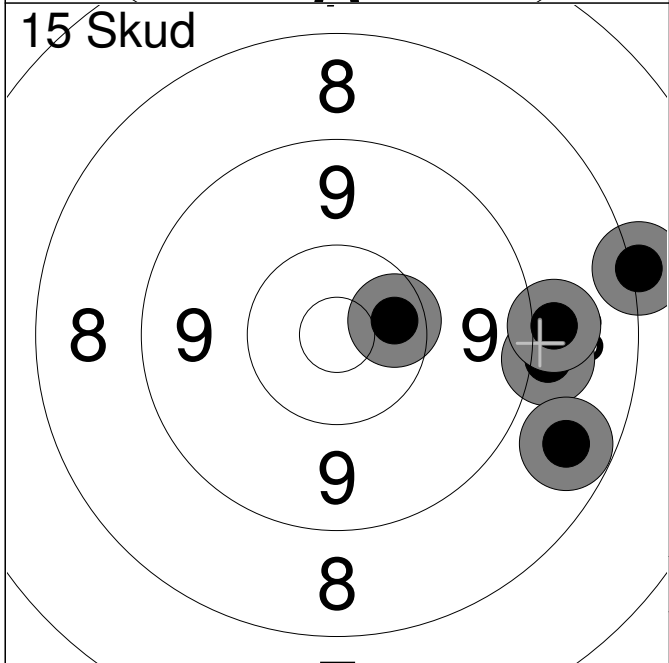
Serie	47.0
Total	140.0



1:	9.6	↗
2:	10.3	↗
3:	10.0	→
4:	10.2	↖
Serie		39.0
Total		0.0



1:	10.0	↗
2:	9.6	↘
3:	*10.7	↘
4:	*10.7	↘
5:	*10.5	→
6:	*10.5	↗
7:	9.5	↘
8:	9.9	↗
9:	10.0	↘
10:	9.8	↗
Serie		96.0
Total		96.0



11:	*10.4	→
12:	8.1	→
13:	9.0	→
14:	8.6	↘
15:	9.0	→
Serie		44.0
Total		140.0

Hold
24Skive
3**Oliver Munk**

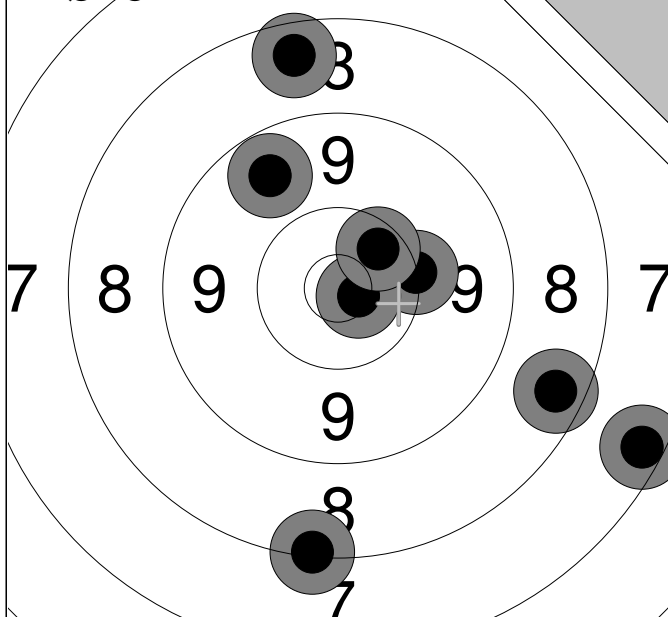
Vester Hassing Skf.

27. - 28. august 2011 NM 2011

Aalborg Skyttekreds

Prøve

7

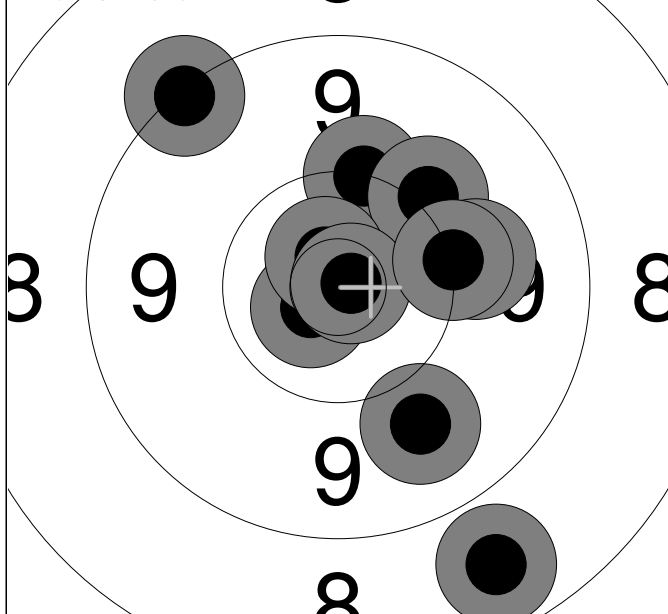


Serie 70.0

Total 0.0

15 Skud

8

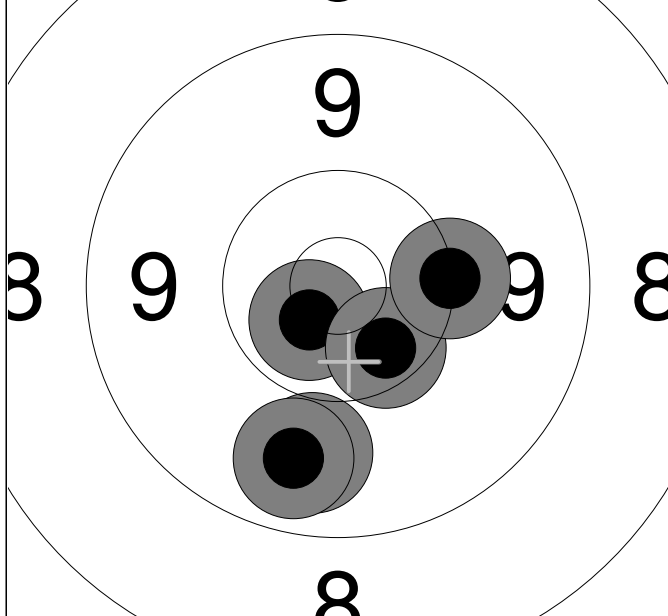


Serie 96.0

Total 96.0

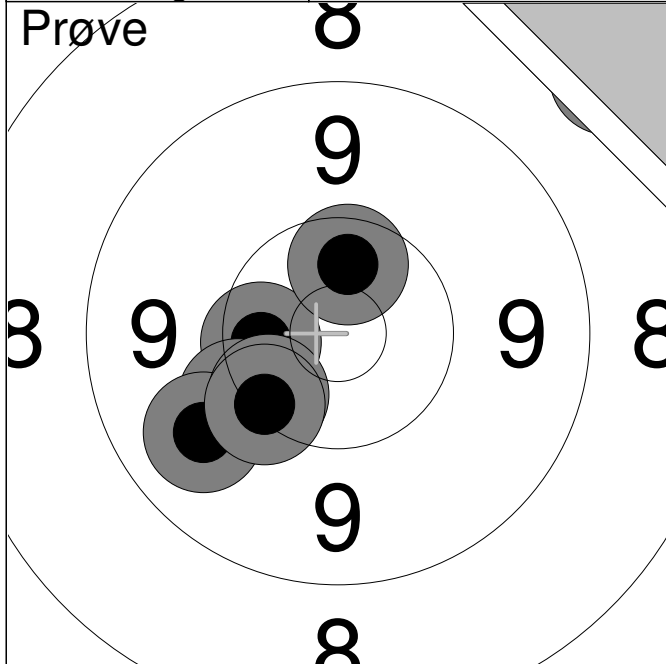
15 Skud

8

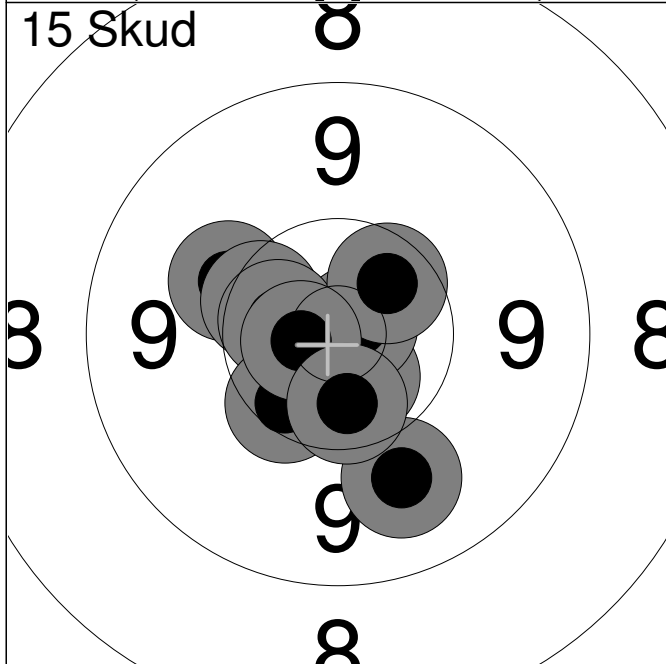


Serie 48.0

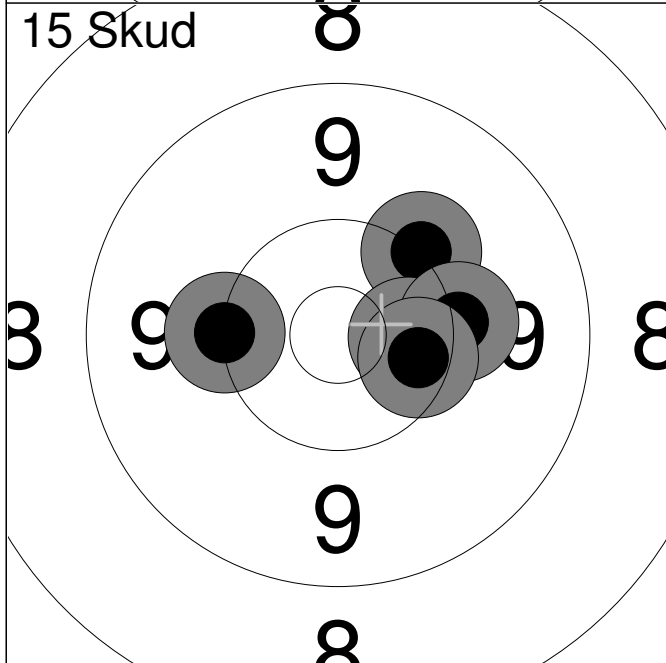
Total 144.0



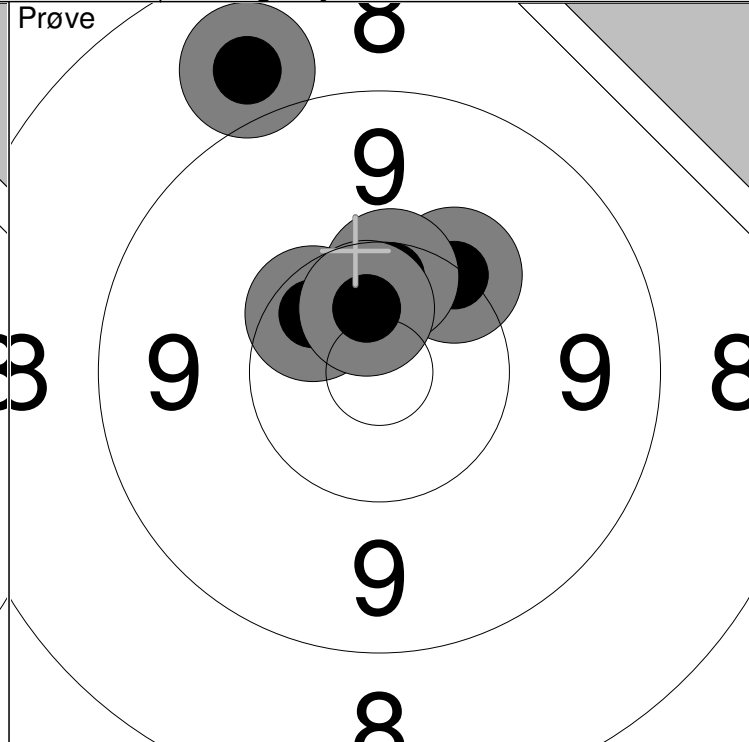
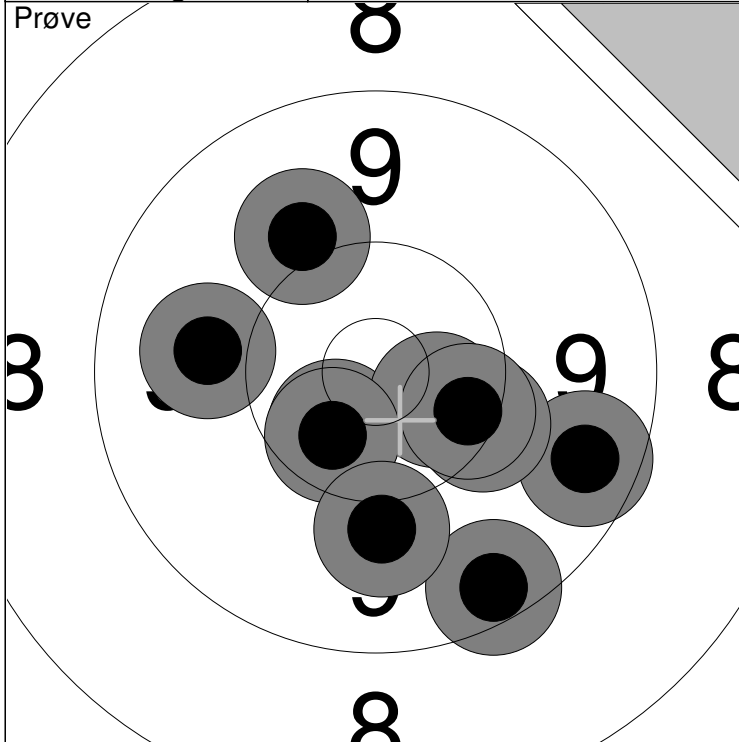
1:	8.3	↗
2:	*10.4	←
3:	10.1	↙
4:	9.8	↙
5:	10.3	↙
6:	10.3	↙
7:	*10.5	↑
Serie		67.0
Total		0.0



1:	*10.6	↘
2:	*10.8	↗
3:	10.1	↗
4:	10.4	↖
5:	*10.5	←
6:	*10.5	↗
7:	9.9	↘
8:	10.4	↙
9:	*10.7	←
10:	*10.5	↘
Serie		99.0
Total		99.0

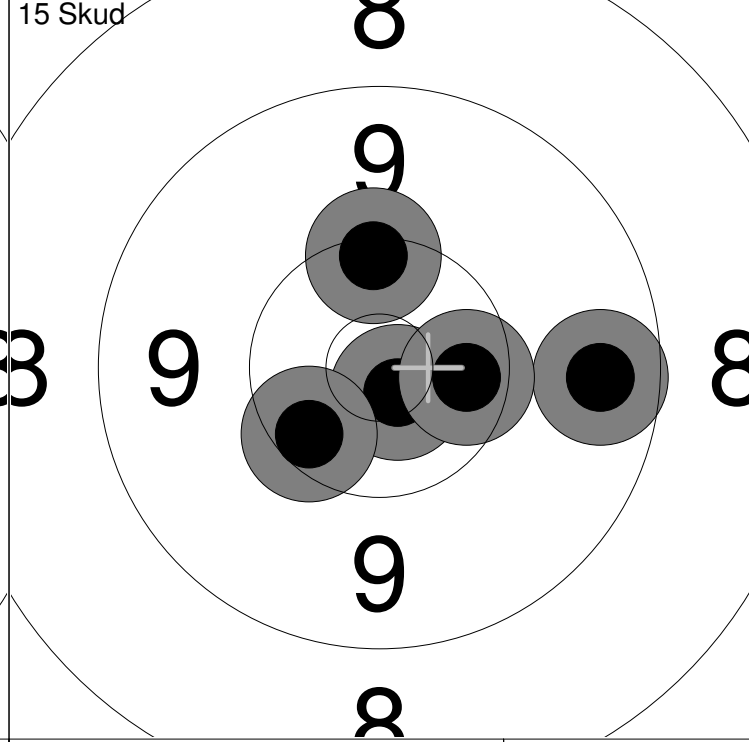
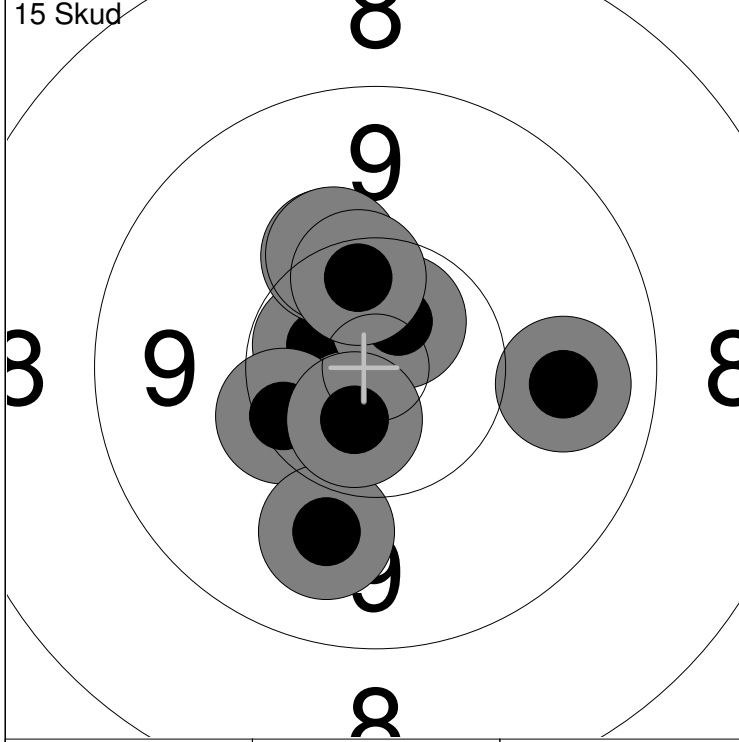


11:	10.1	↗
12:	10.2	←
13:	*10.5	→
14:	10.1	→
15:	10.4	→
Serie		50.0
Total		149.0



1: 10.0 ↗	6: 9.5 →	Serie	97.0
2: 9.9 ←	7: 9.4 ↘		
3: *10.5 ↘	8: 10.0 ↘	Total	0.0
4: *10.5 →	9: 10.2 ↘		
5: *10.5 ↘	10: 10.3 ↘		

11: 8.9 ↖	Serie	48.0
12: 10.2 ↗		
13: 10.4 ↑	Total	0.0
14: 10.4 ↖		
15: *10.6 ↑		



1: *10.6 ↖	6: 9.9 ↘	Serie	98.0
2: 10.2 ↗	7: 10.2 ↗		
3: *10.6 ↘	8: 10.4 ↑	Total	98.0
4: *10.6 ↗	9: 9.8 →		
5: 10.3 ↖	10: *10.6 ↘		

11: 9.6 →	Serie	49.0
12: *10.8 ↘		
13: 10.4 ↖	Total	147.0
14: *10.4 →		
15: 10.3 ↑		

Hold
24

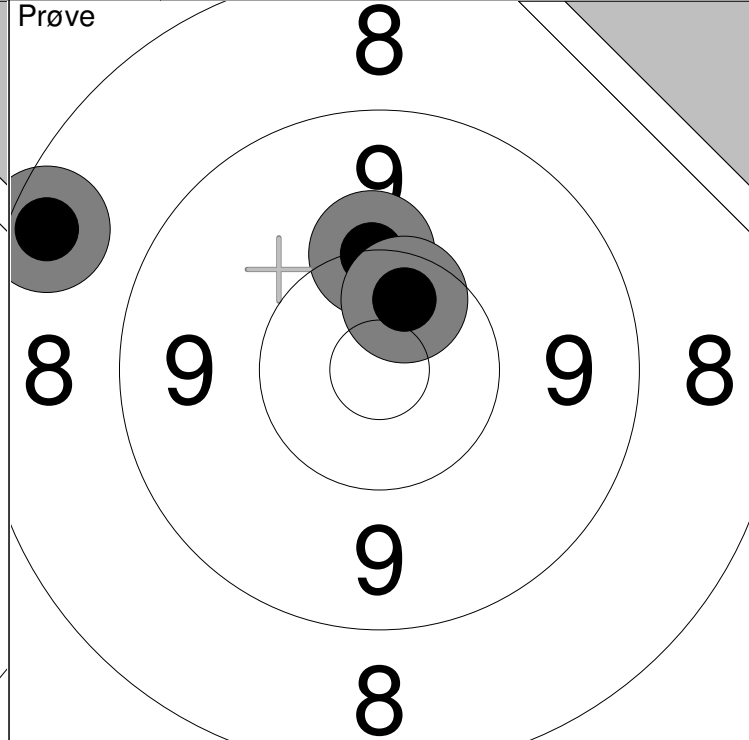
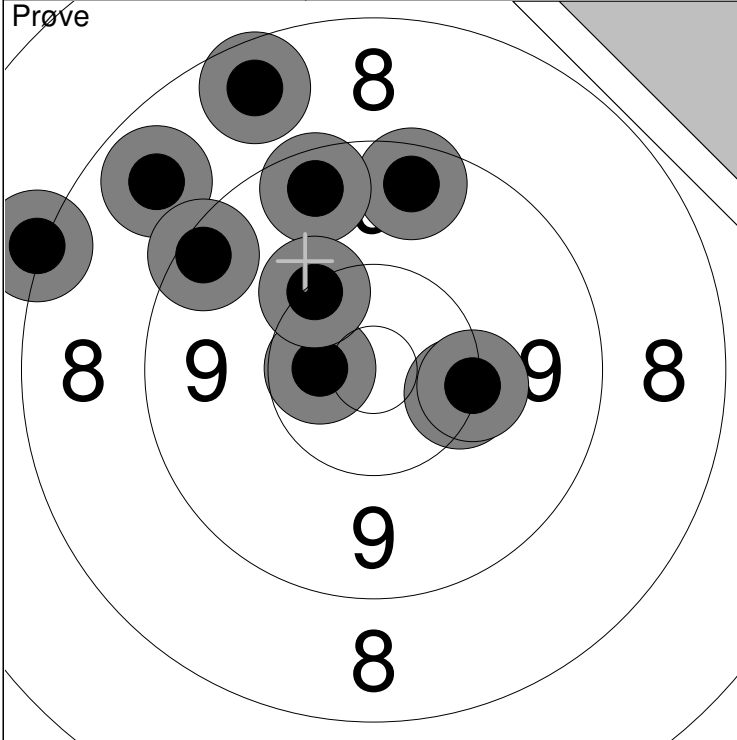
Skive
6

Simon Hansen

Pandrup Skytteforening

27. - 28. august 2011 NM 2011

Aalborg Skyttekreds

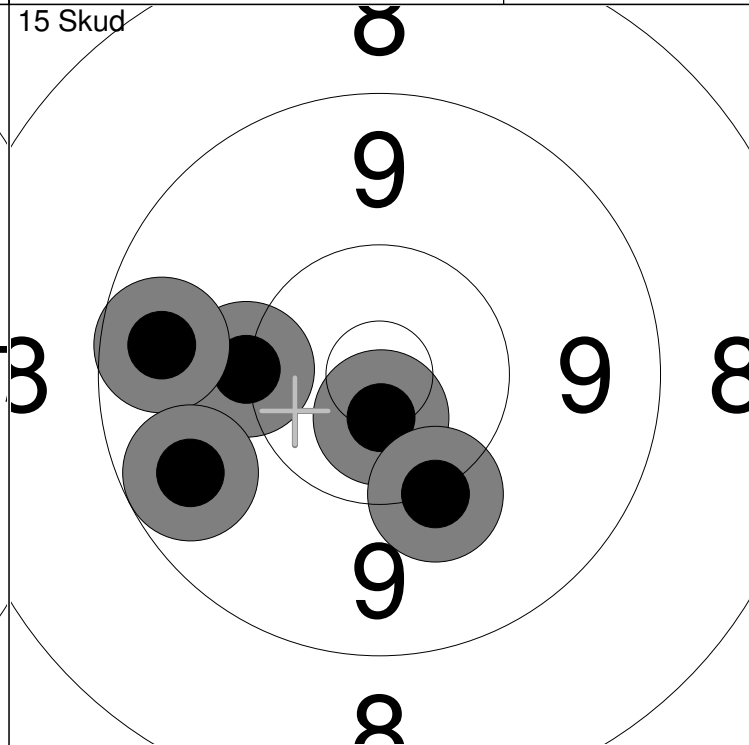
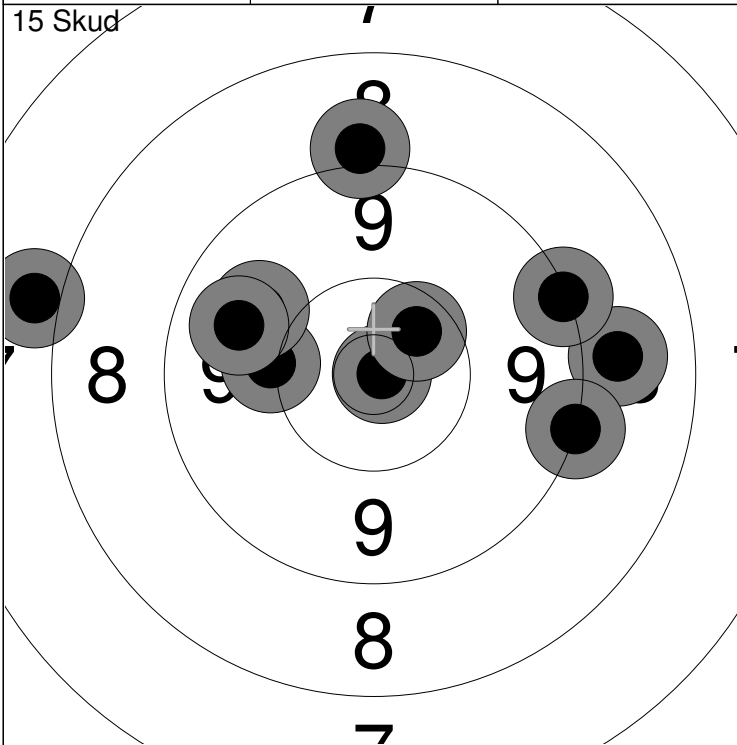


1: 10.3	→	6: *10.5	←
2: 10.2	→	7: 10.2	↗
3: 9.5	↑	8: 8.6	↗
4: 9.5	↗	9: 8.1	↖
5: 8.7	↖	10: 9.4	↗

Serie	91.0
Total	0.0

11: 10.2	↑
12: 8.5	↖
13: *10.5	↑

Serie	28.0
Total	0.0

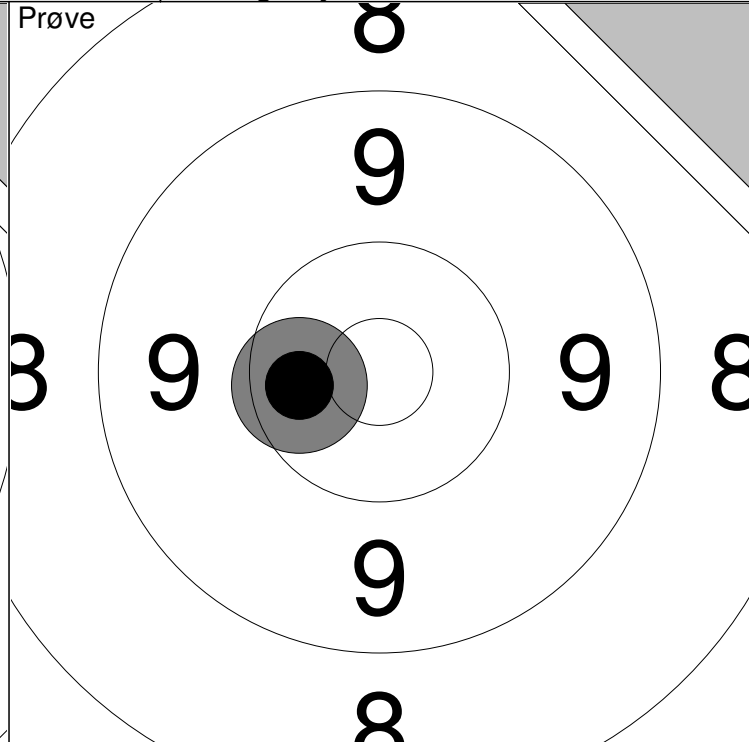
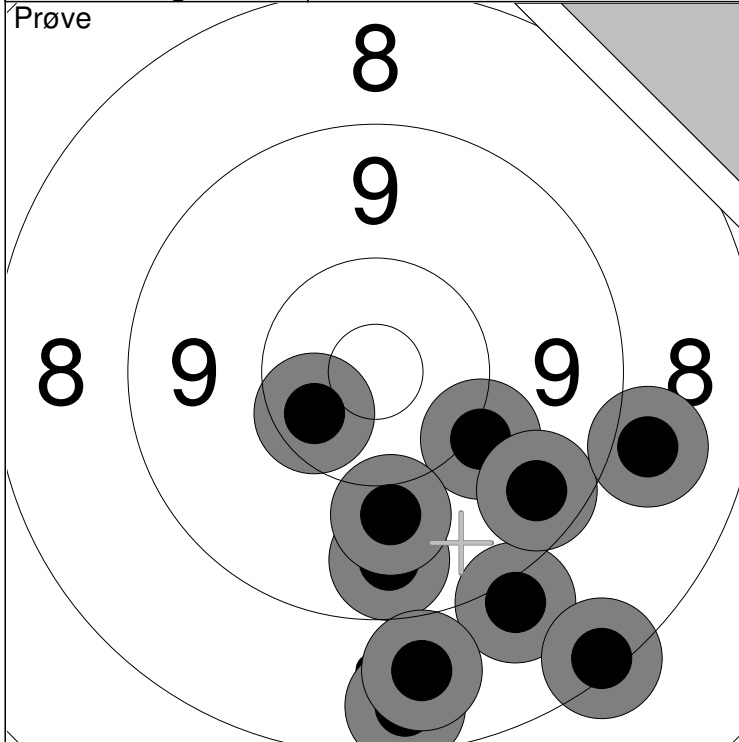


1: 8.9	→	6: 9.8	↖
2: 8.0	←	7: 9.2	→
3: 10.1	←	8: 9.2	↗
4: *10.9	→	9: 9.0	↑
5: 9.9	↖	10: *10.5	↗

Serie	91.0
Total	91.0

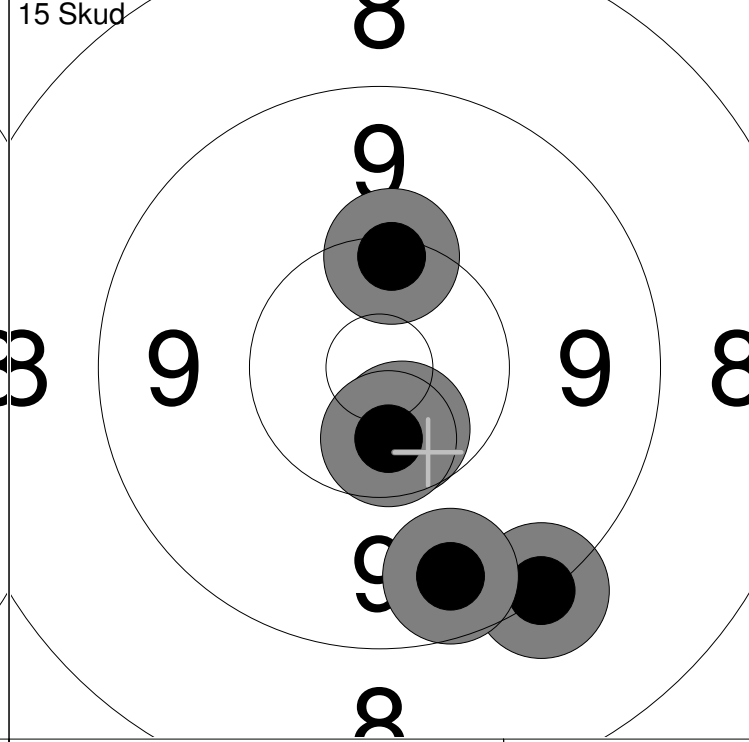
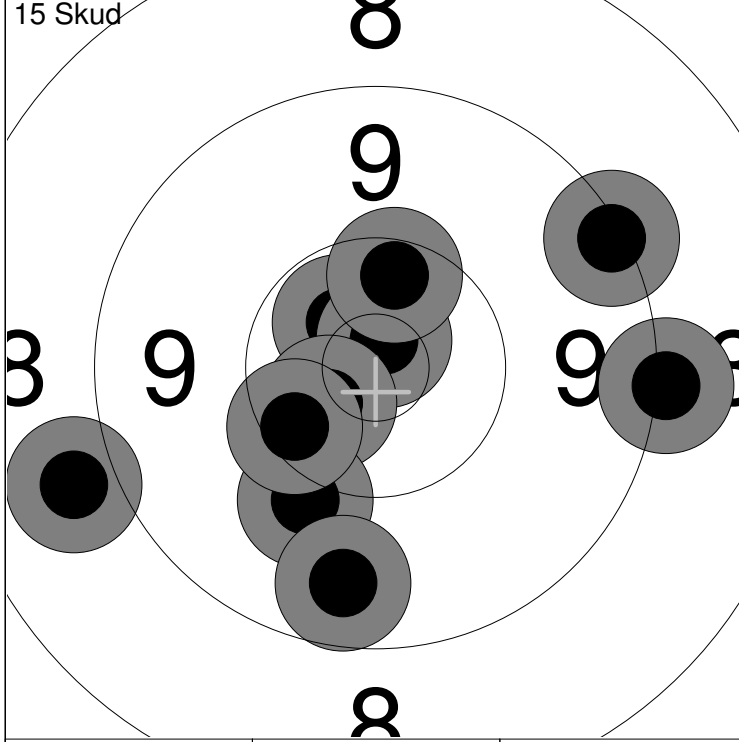
11: *10.7	↓
12: 10.1	←
13: 9.6	←
14: 10.1	↓
15: 9.6	↖

Serie	48.0
Total	139.0



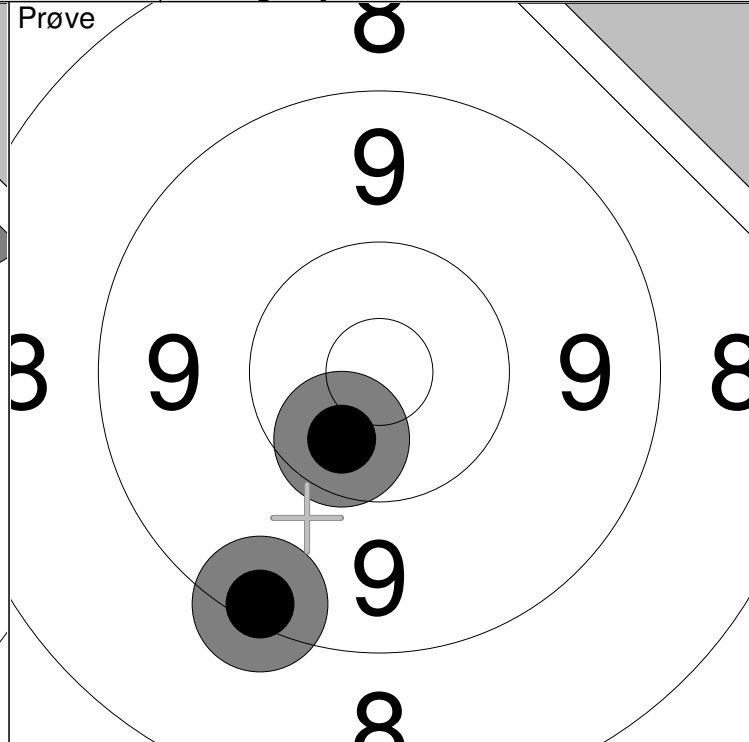
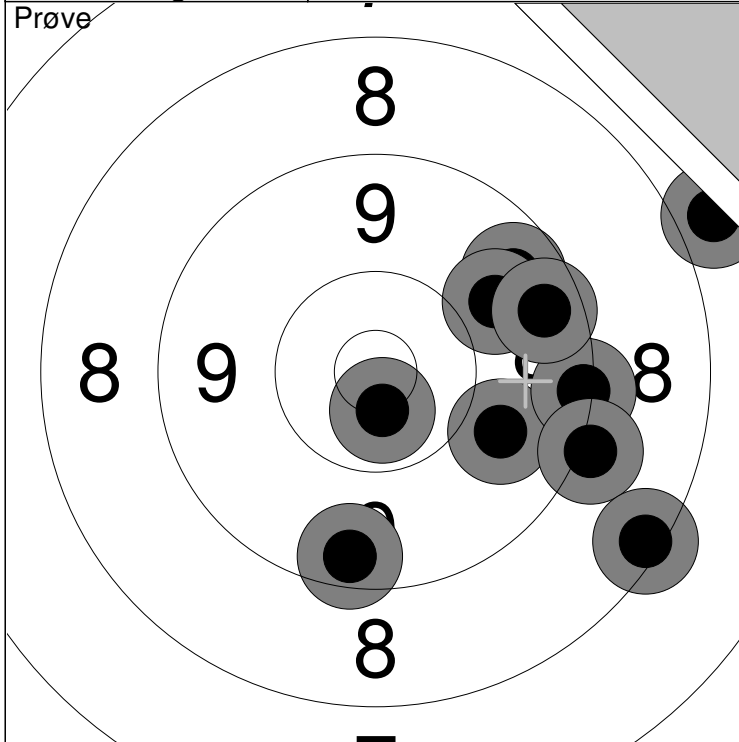
1: 8.5 ↓	6: 10.1 ↘	Serie	89.0
2: 9.6 ↓	7: 9.5 ↘		
3: 9.0 ↘	8: 10.0 ↓	Total	0.0
4: 8.3 ↘	9: 8.9 ↗		
5: 8.8 ↓	10: *10.4 ↖		

11: *10.5 ←		Serie	10.0
		Total	0.0



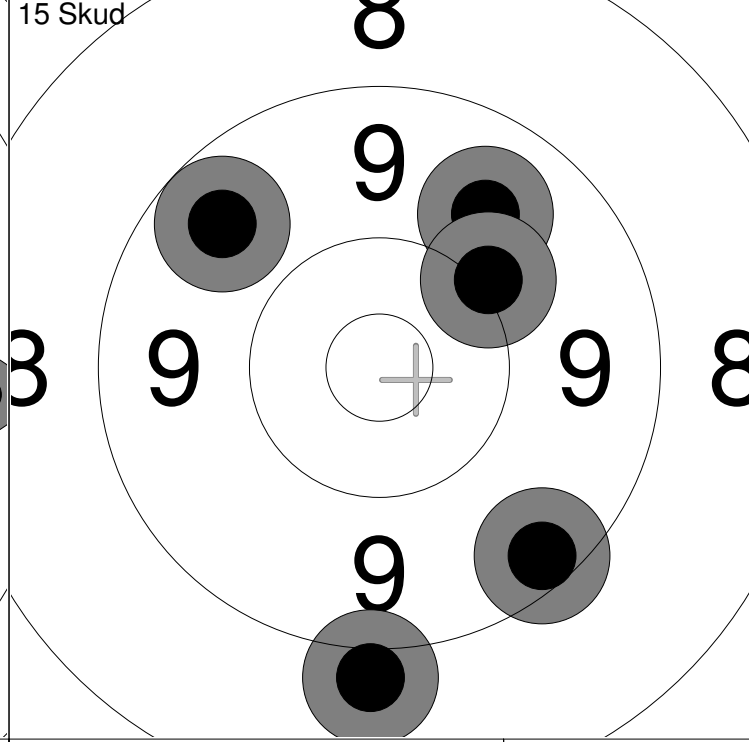
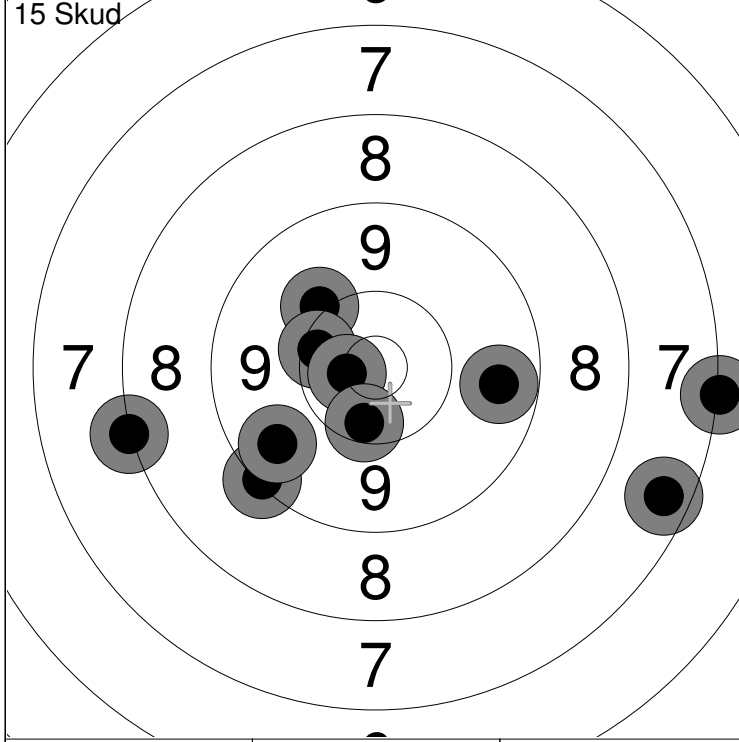
1: *10.6 ↗	6: 9.3 ↗	Serie	95.0
2: *10.8 ↑	7: 10.0 ↓		
3: *10.6 ↖	8: 9.6 ↓	Total	95.0
4: 10.4 ↑	9: 8.9 ←		
5: 9.1 →	10: 10.3 ↖		

11: 10.3 ↑		Serie	48.0
12: 9.2 ↓			
13: *10.6 ↓		Total	143.0
14: 9.6 ↓			
15: *10.5 ↓			



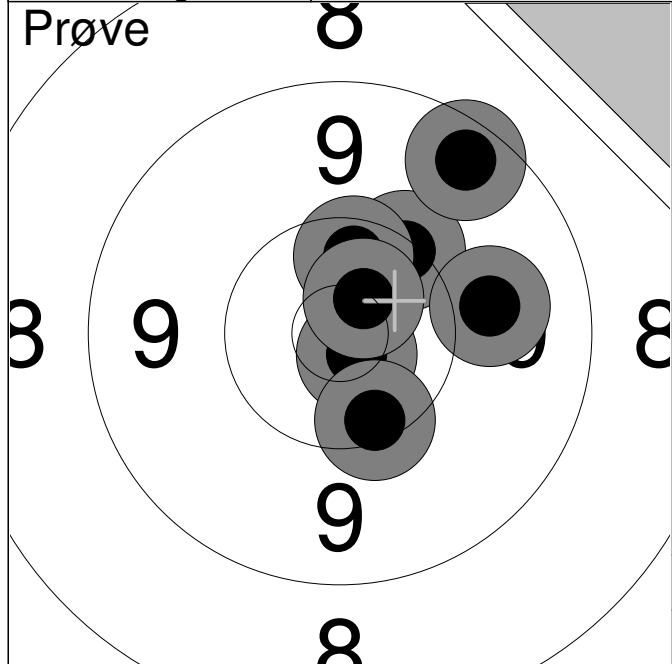
1: 9.9 →	6: 7.9 →	Serie	88.0
2: *10.6 ↓	7: 9.8 ↗		
3: 9.6 ↗	8: 8.3 ↘	Total	0.0
4: 9.3 →	9: 9.5 ↗		
5: 9.1 →	10: 9.4 ↓		

11: 9.3 ↓	Serie	19.0
12: *10.5 ↓		
	Total	0.0

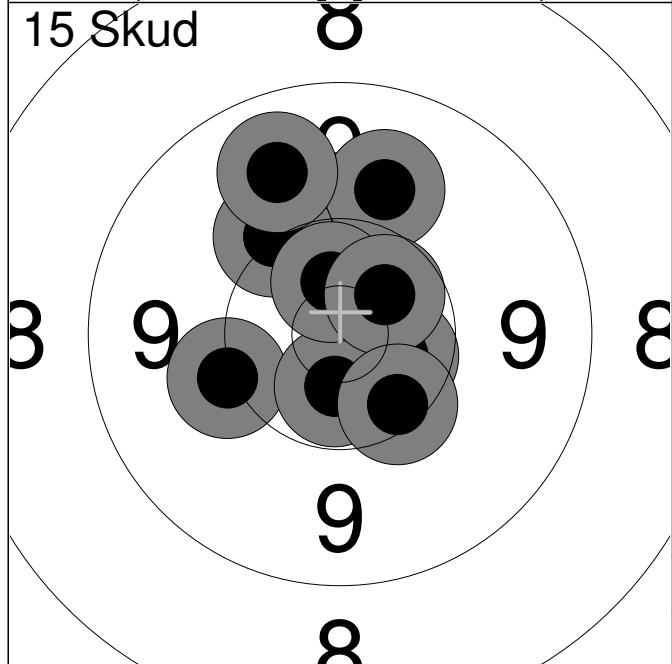


1: 9.2 ↙	6: *10.6 ←	Serie	89.0
2: 8.2 ←	7: 7.5 →		
3: 9.6 ↙	8: 9.6 →	Total	89.0
4: 10.1 ↗	9: 10.4 ↓		
5: 10.3 ←	10: 7.1 →		

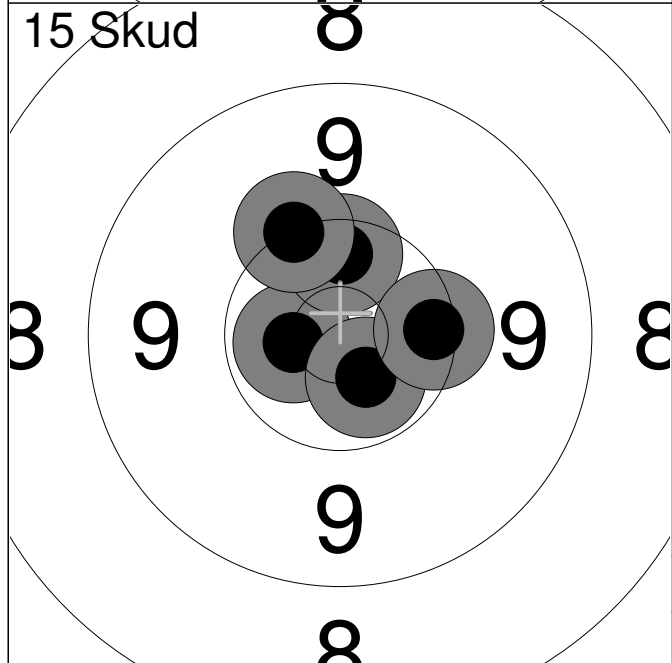
11: 9.8 ↗	Serie	46.0
12: 10.1 ↗		
13: 9.6 ↖	Total	135.0
14: 9.0 ↓		
15: 9.4 ↘		



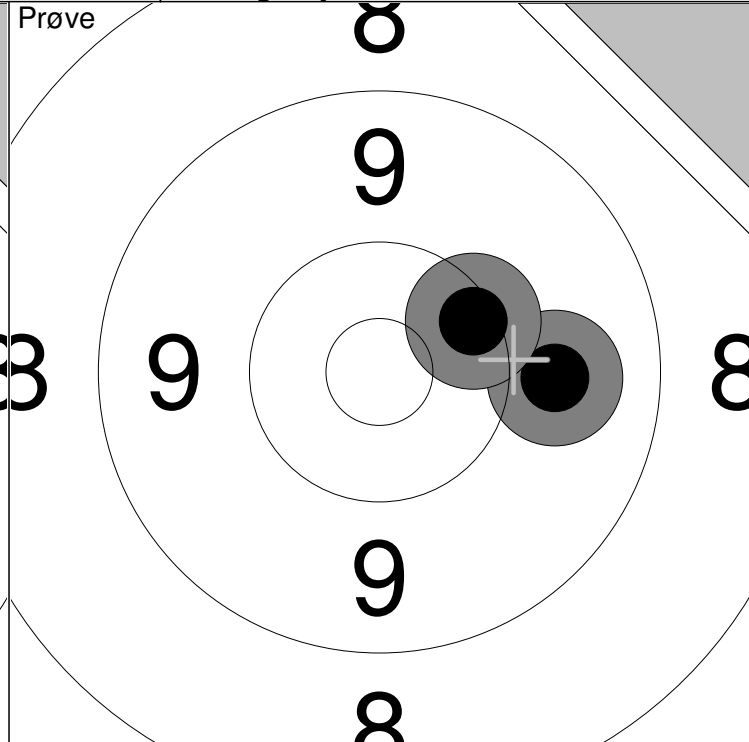
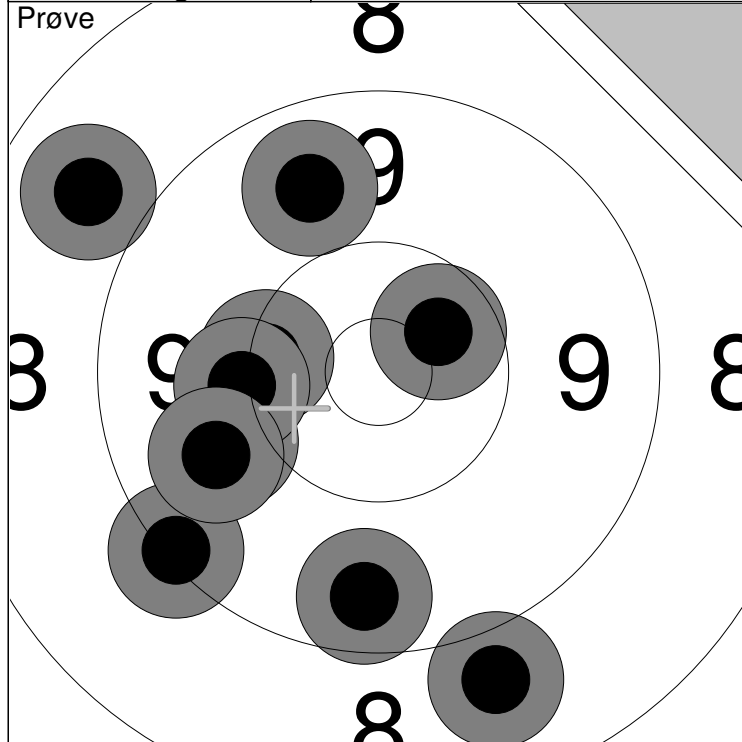
1:	10.2	↗
2:	*10.4	↑
3:	9.4	↗
4:	*10.8	↘
5:	10.3	↘
6:	9.9	→
7:	*10.7	↗
Serie		68.0
Total		0.0



1:	10.1	↖
2:	*10.6	↘
3:	*10.5	→
4:	*10.6	↘
5:	9.9	↑
6:	10.1	↗
7:	*10.6	↑
8:	*10.5	↗
9:	9.7	↑
10:	10.3	↘
Serie		98.0
Total		98.0

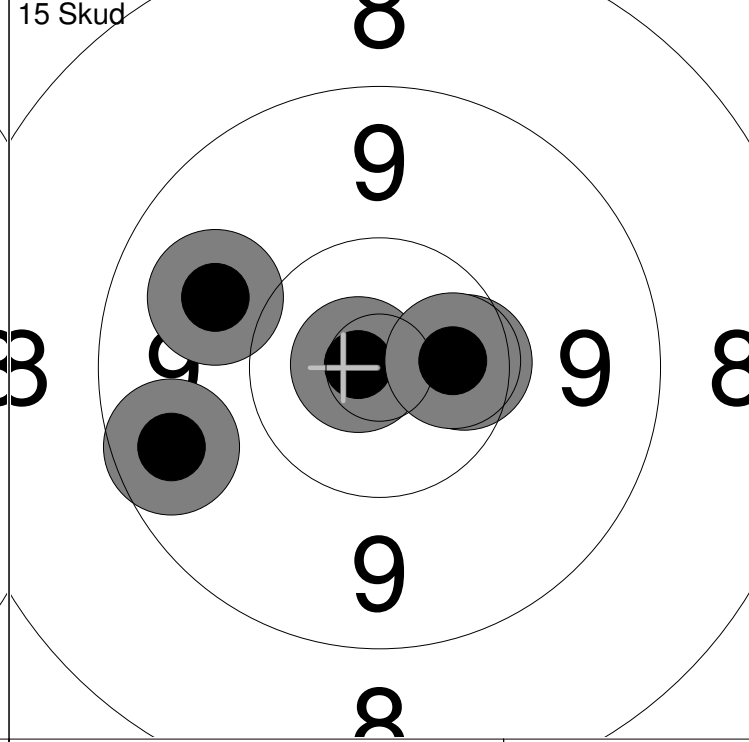
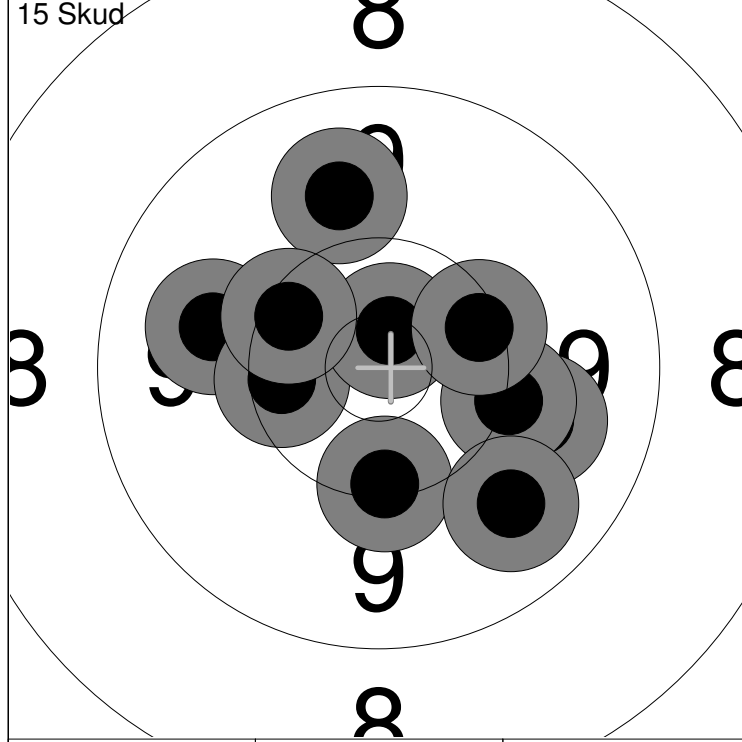


11:	*10.6	↖
12:	10.4	↑
13:	*10.6	↘
14:	10.2	↗
15:	10.3	→
Serie		50.0
Total		148.0



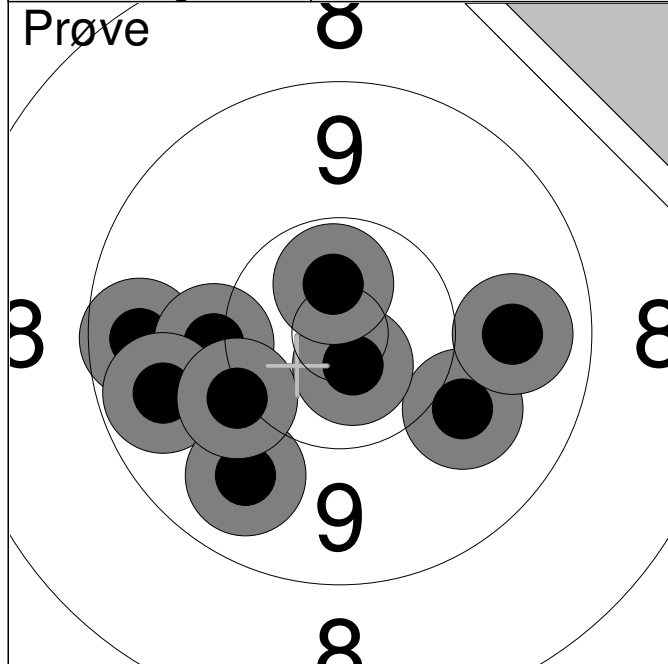
1: 9.7 ↗	6: 9.3 ↘	Serie	92.0
2: 10.3 ←	7: 10.0 ←		
3: *10.5 ↗	8: 9.5 ↓	Total	0.0
4: 8.8 ↖	9: 10.1 ←		
5: 8.9 ↓	10: 9.8 ↖		

11: 9.9 →	Serie	19.0
12: 10.3 ↗		
Total		0.0

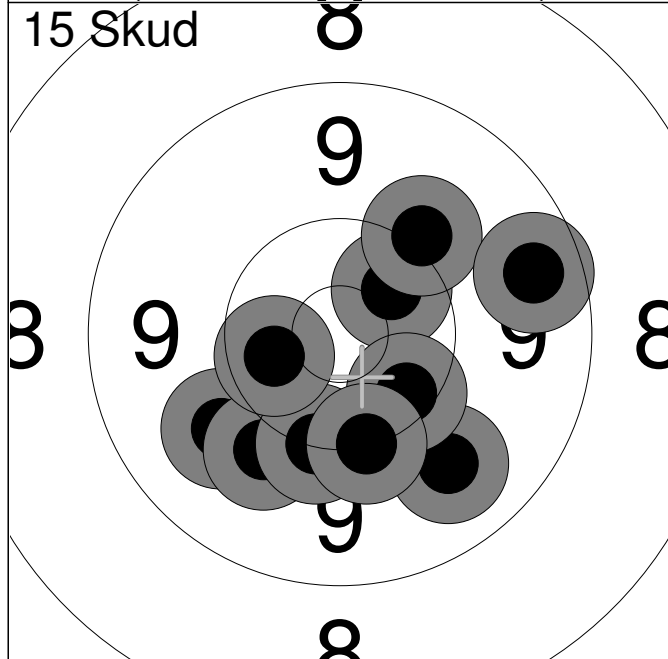


1: 10.2 ↓	6: 9.9 →	Serie	96.0
2: 9.9 ←	7: 10.1 →		
3: 9.9 ↗	8: 9.8 ↘	Total	96.0
4: 10.4 ←	9: 10.3 ↗		
5: *10.7 ↗	10: 10.3 ↗		

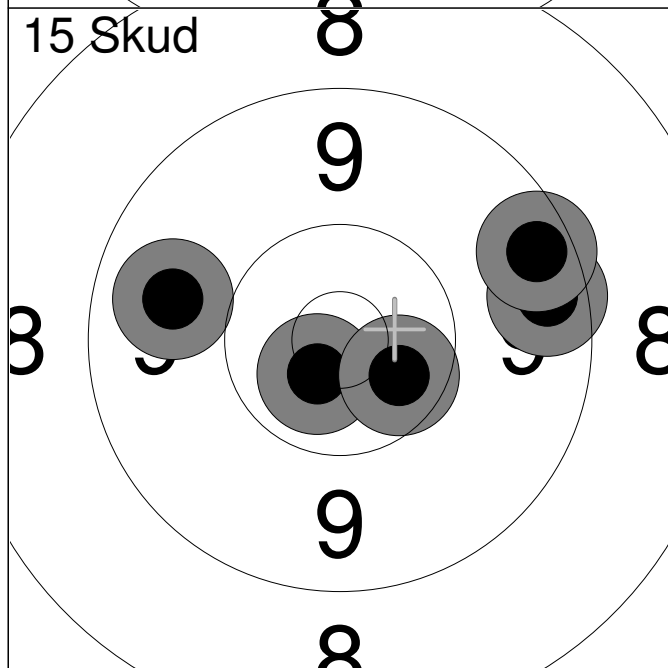
11: *10.8 ←	Serie	48.0
12: *10.4 →		
13: *10.5 →	Total	144.0
14: 9.9 ↖		
15: 9.6 ↖		



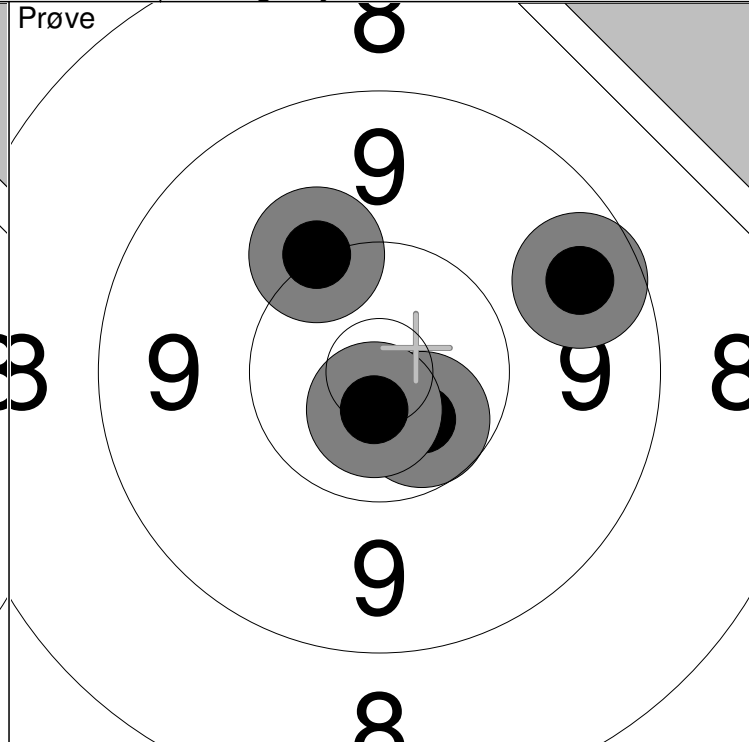
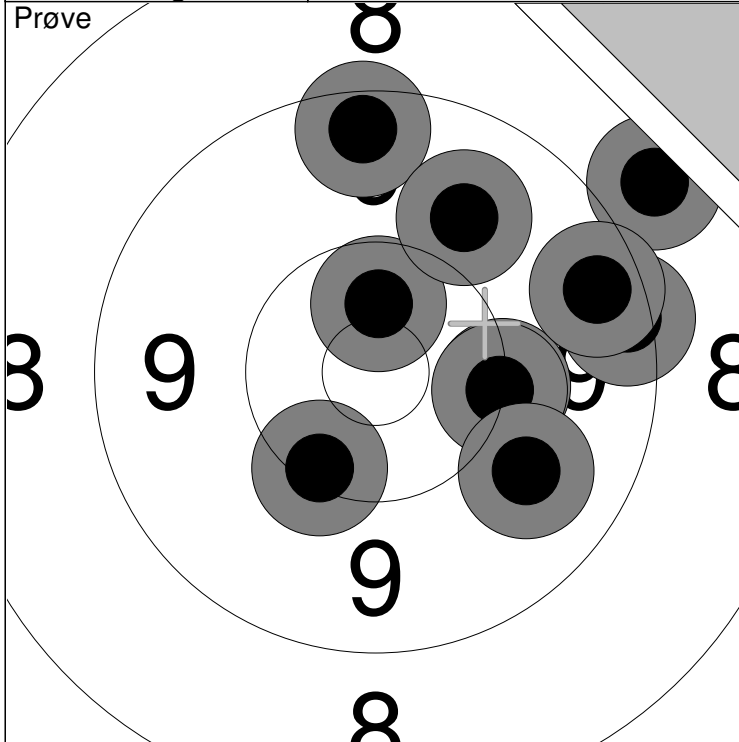
1:	9.5	←
2:	10.1	←
3:	9.7	←
4:	9.8	↙
5:	10.0	↘
6:	9.8	→
7:	10.1	←
8:	*10.7	↘
9:	*10.6	↑
Serie		86.0
Total		0.0



1:	*10.5	↗
2:	9.9	↙
3:	10.1	↗
4:	10.0	↙
5:	9.8	↘
6:	10.2	↘
7:	10.3	↘
8:	9.5	→
9:	*10.5	←
10:	10.2	↘
Serie		97.0
Total		97.0

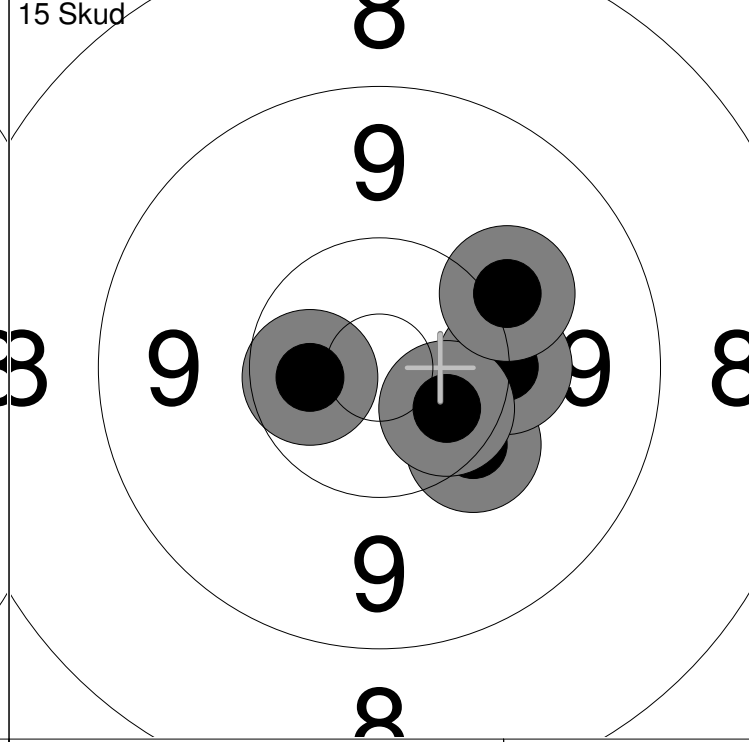
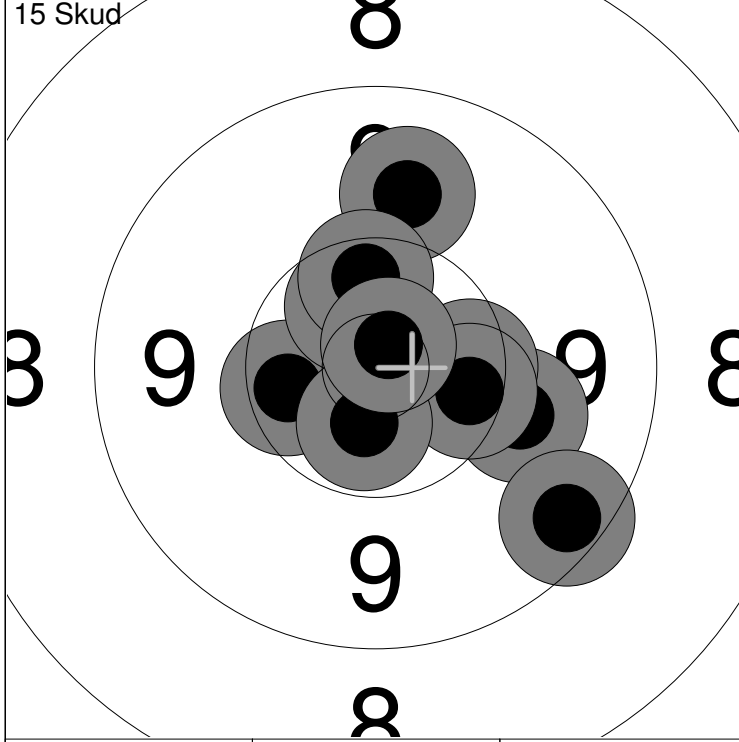


11:	*10.7	↙
12:	9.8	←
13:	*10.5	↘
14:	9.5	→
15:	9.4	↗
Serie		47.0
Total		144.0



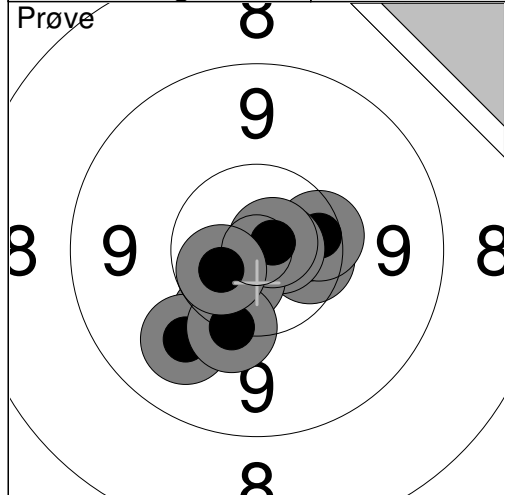
1: 9.4 ↑	6: 9.5 →	Serie	93.0
2: *10.5 ↑	7: 10.2 →		
3: 8.8 ↗	8: 9.8 ↘	Total	0.0
4: 9.3 →	9: 9.9 ↗		
5: 10.2 →	10: 10.3 ↘		

11: 9.6 →	Serie	39.0
12: *10.6 ↘		
13: 10.1 ↗	Total	0.0
14: *10.7 ↘		

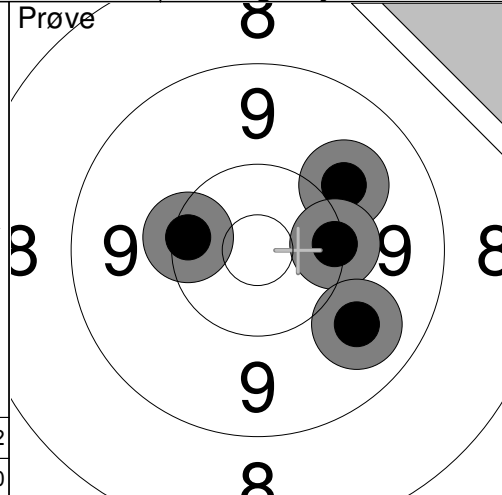


1: 10.0 →	6: 9.9 ↑	Serie	98.0
2: 9.4 ↘	7: *10.6 ↗		
3: 10.4 ←	8: 10.4 ↑	Total	98.0
4: 10.4 →	9: *10.6 ↘		
5: 10.4 →	10: *10.8 ↗		

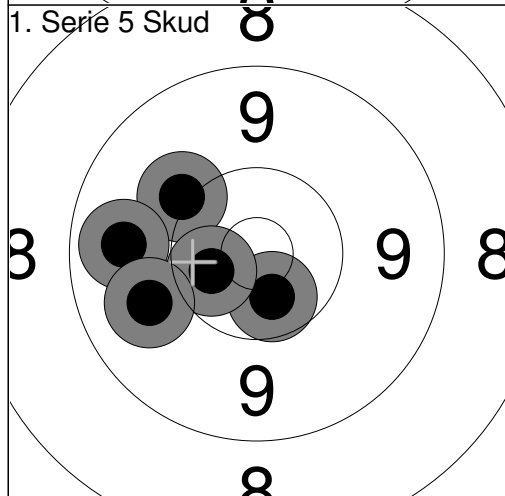
11: *10.5 ←	Serie	50.0
12: 10.2 ↘		
13: 10.2 →	Total	148.0
14: *10.5 ↘		
15: 10.0 ↗		



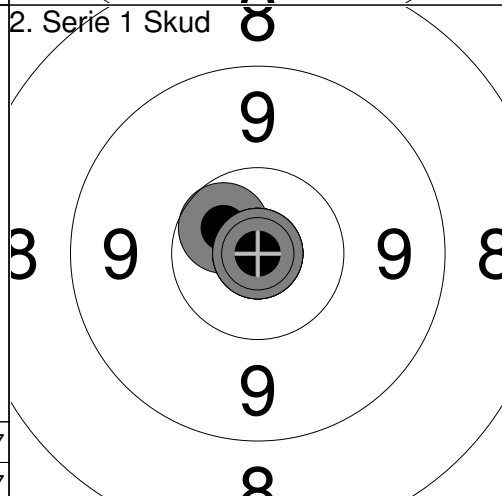
1:	*10.5	→
2:	10.2	↓
3:	10.4	→
4:	10.3	↓
5:	9.9	↓
6:	*10.7	→
7:	*10.6	↓
8:	*10.8	→
9:	10.2	↓
10:	*10.6	←
Serie		104.2
Total		299.0



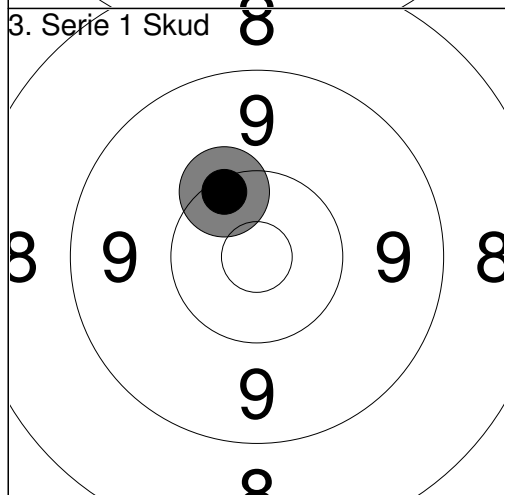
11:	10.0	↗
12:	10.3	←
13:	10.2	→
14:	9.8	↓
Serie		40.3
Total		299.0



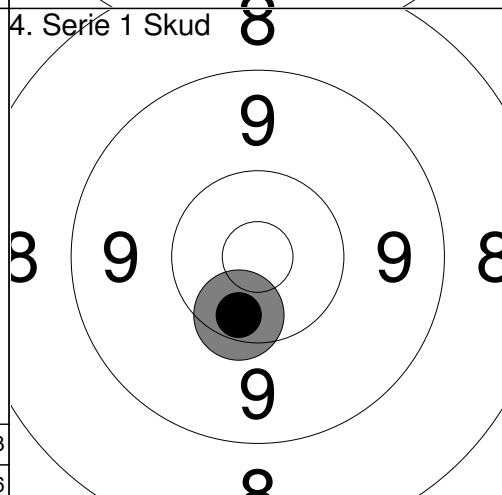
1:	10.1	↖
2:	9.7	←
3:	*10.5	↓
4:	*10.5	←
5:	9.9	←
Serie		50.7
Total		349.7



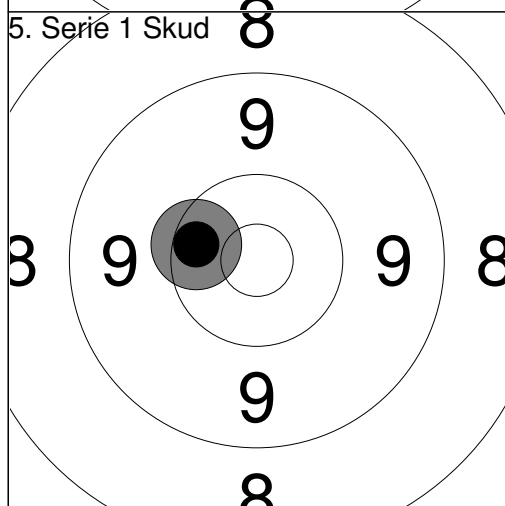
1:	*10.6	↖
11:	*10.5	
12:	10.2	
13:	10.2	
14:	*10.5	
15:	10.0	
Serie		10.6
Total		360.3



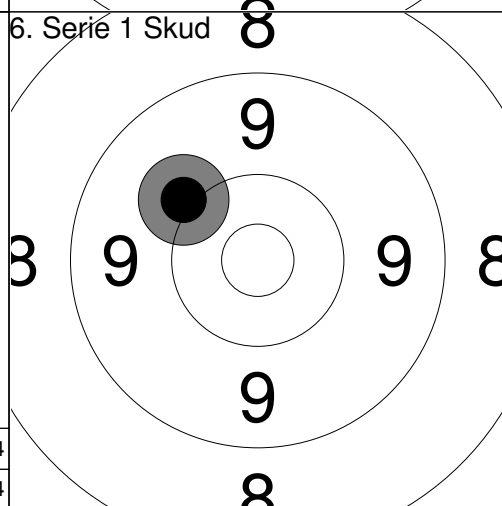
1:	10.3	↗
Serie		10.3
Total		370.6



1:	10.4	↓
Serie		10.4
Total		381.0



1:	10.4	←
Serie		10.4
Total		391.4

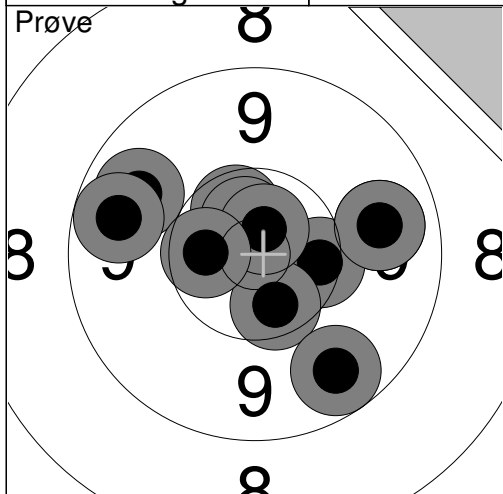


1:	10.1	↖
Serie		10.1
Total		401.5

Vester Hassing Skf.

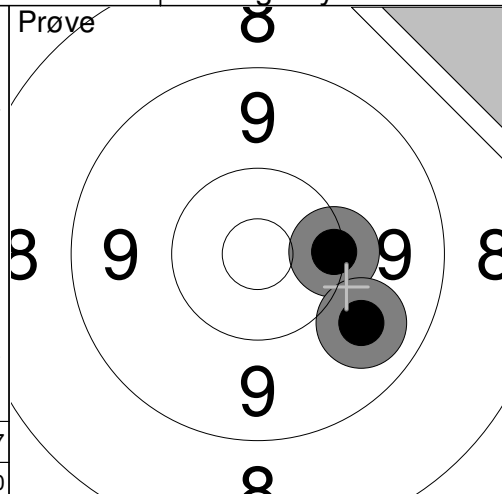
27. - 28. august 2011 NM 2011

Aalborg Skyttekreds



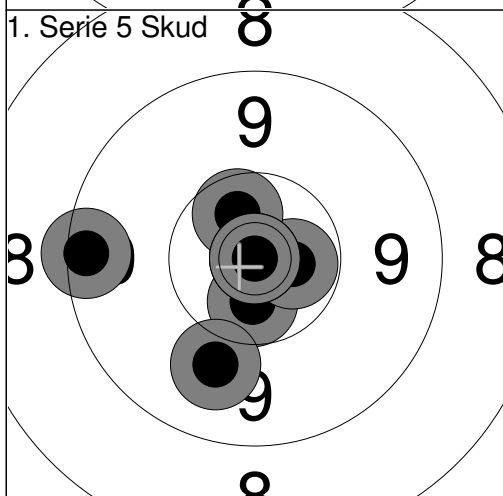
- 1: 9.7 ↖
- 2: 9.8 →
- 3: 10.3 →
- 4: *10.4 ↙
- 5: *10.5 ↗
- 6: 9.6 ↖
- 7: *10.6 ↗
- 8: *10.7 ↗
- 9: *10.5 ←
- 10: 9.6 ↘

Serie	101.7
Total	298.0



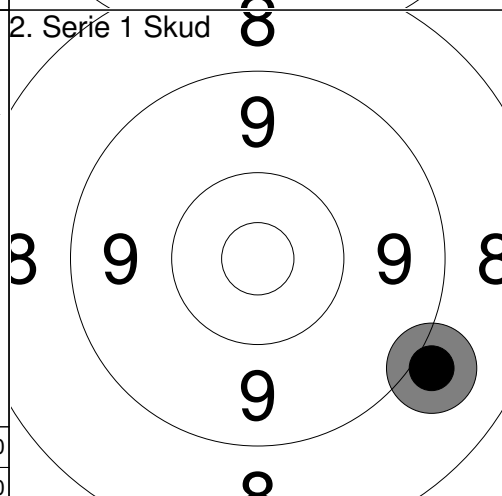
- 11: 10.2 →
- 12: 9.8 ↘

Serie	20.0
Total	298.0



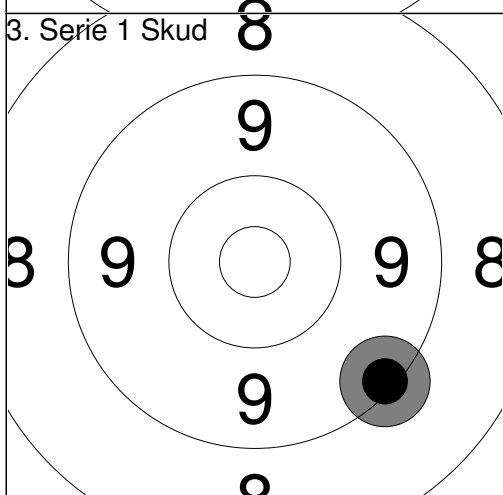
- 1: *10.6 ↓
- 2: 9.4 ←
- 3: *10.6 →
- 4: *10.5 ↗
- 5: 9.9 ↘
- 13: 9.1
- 14: 10.4
- 15: 9.1

Serie	51.0
Total	349.0



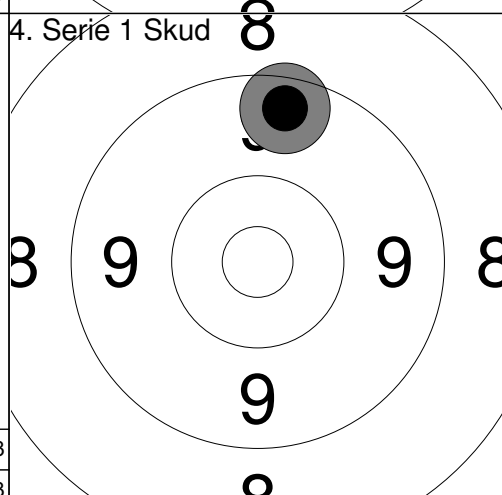
- 1: 9.0 ↘

Serie	9.0
Total	358.0



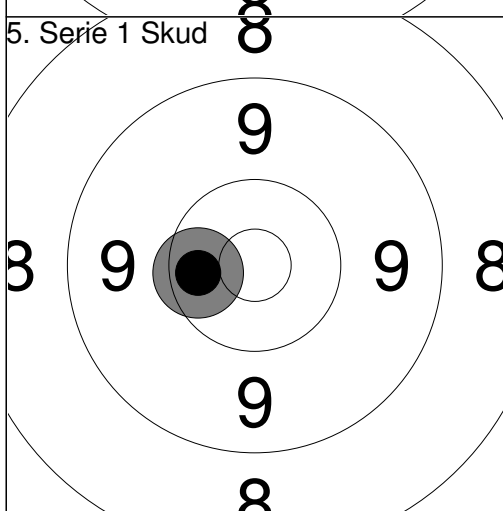
- 1: 9.3 ↘

Serie	9.3
Total	367.3



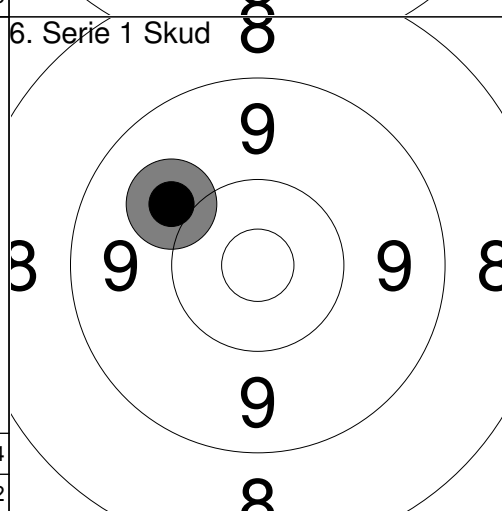
- 1: 9.5 ↑

Serie	9.5
Total	376.8



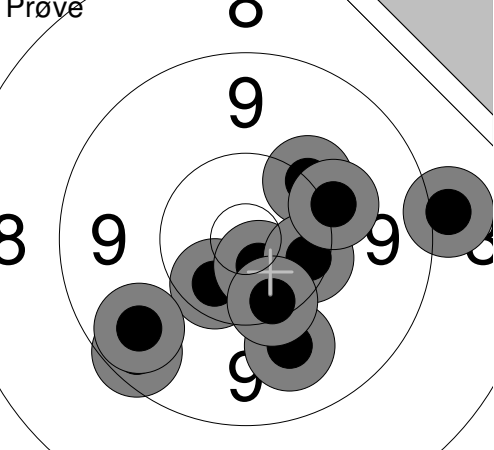
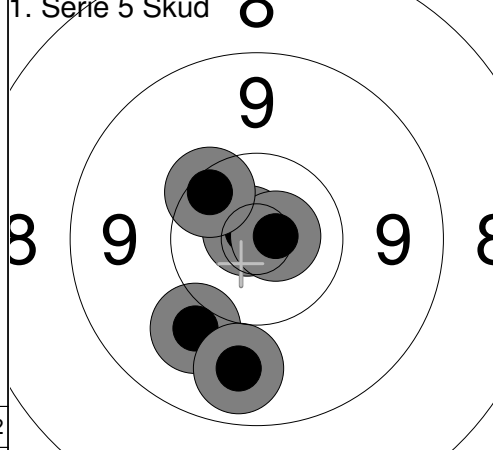
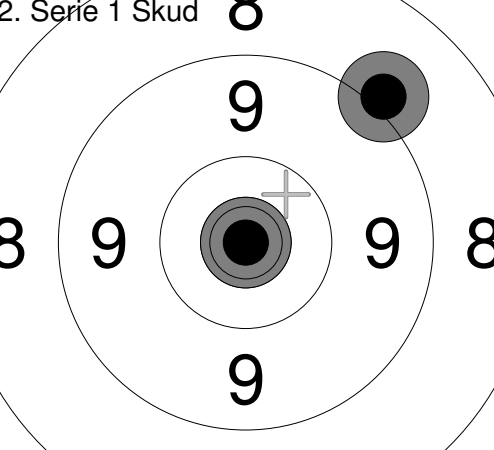
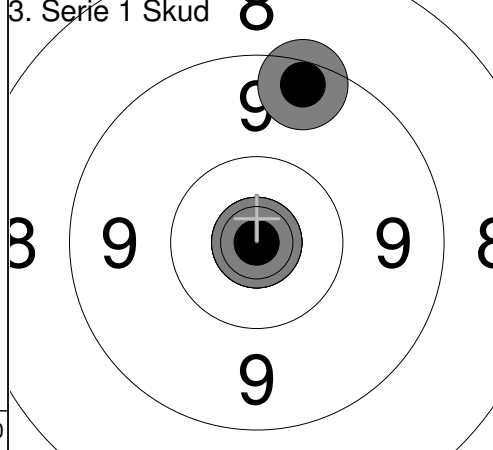
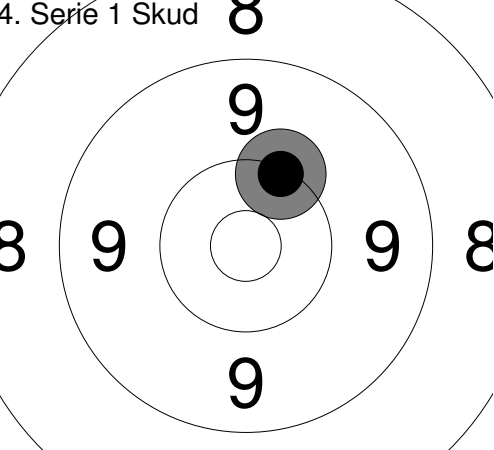
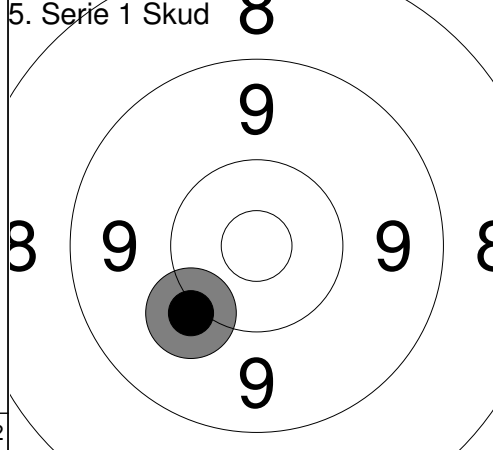
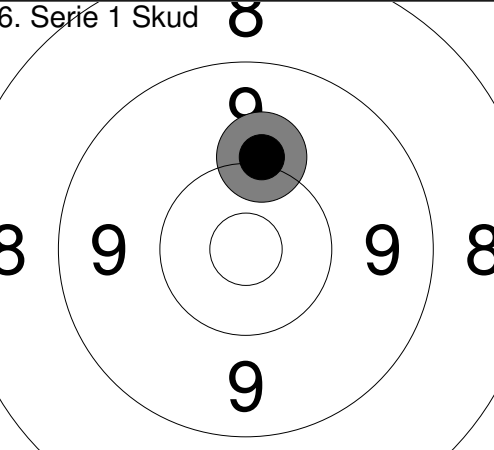
- 1: *10.4 ←

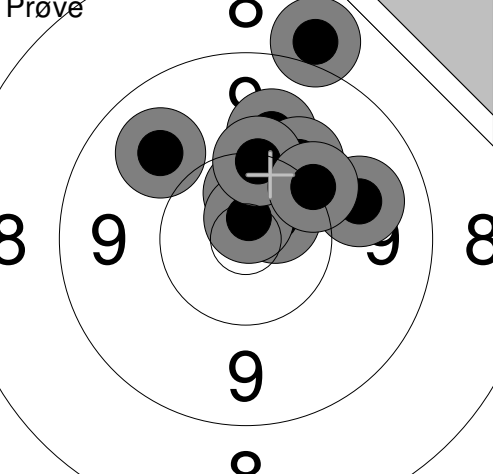
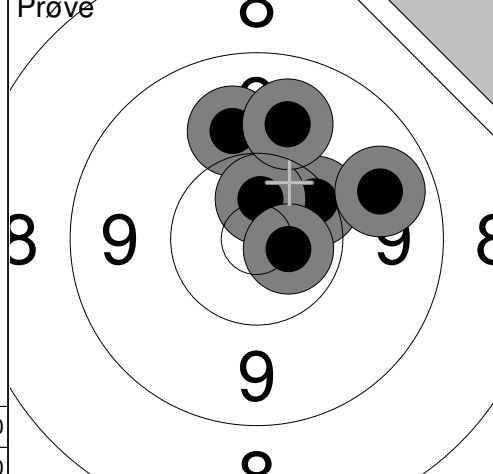
Serie	10.4
Total	387.2

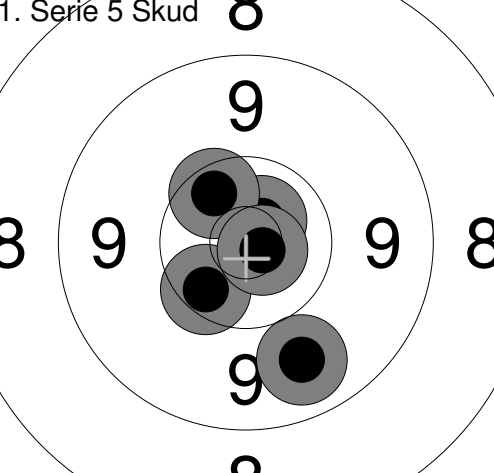
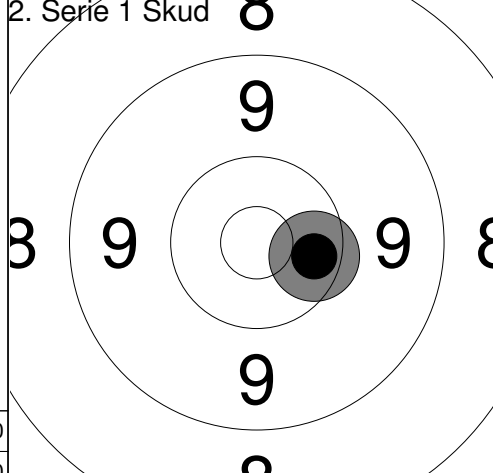


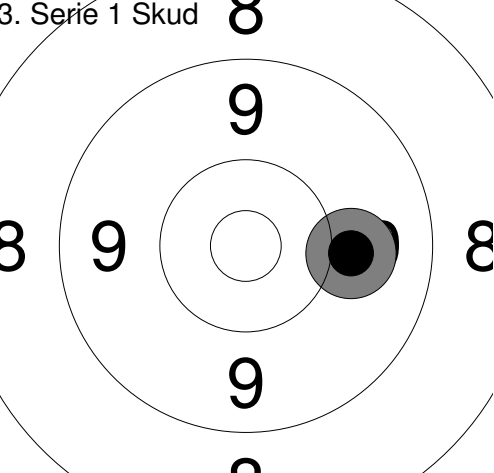
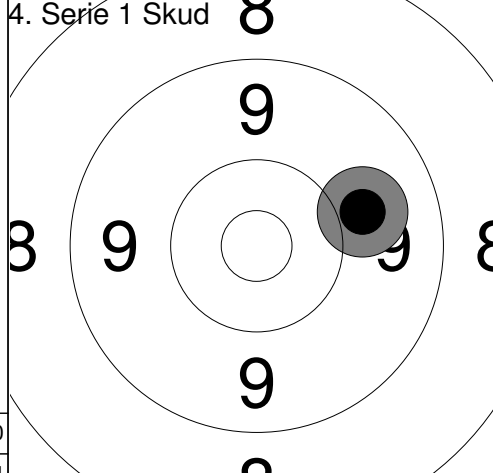
- 1: 10.0 ↖

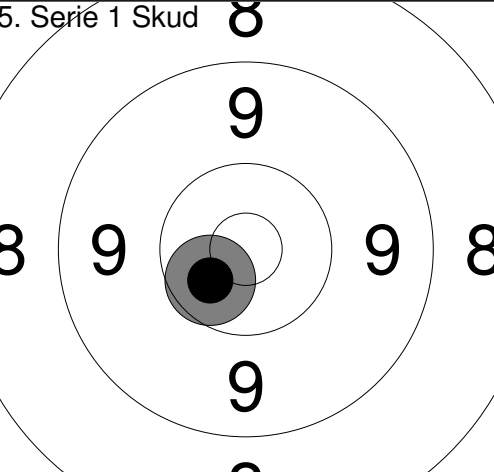
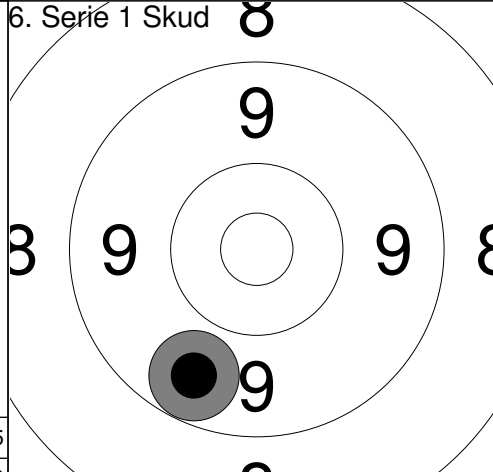
Serie	10.0
Total	397.2

Prøve 	<table border="1" style="width:100%; border-collapse: collapse;"> <tr><td>1:</td><td>9.0</td><td>→</td></tr> <tr><td>2:</td><td>9.5</td><td>↙</td></tr> <tr><td>3:</td><td>9.9</td><td>↘</td></tr> <tr><td>4:</td><td>*10.5</td><td>↙</td></tr> <tr><td>5:</td><td>9.7</td><td>↙</td></tr> <tr><td>6:</td><td>10.2</td><td>↗</td></tr> <tr><td>7:</td><td>*10.7</td><td>↘</td></tr> <tr><td>8:</td><td>10.3</td><td>→</td></tr> <tr><td>9:</td><td>10.1</td><td>↗</td></tr> <tr><td>10:</td><td>10.3</td><td>↘</td></tr> <tr><td colspan="2">Serie</td><td>100.2</td></tr> <tr><td colspan="2">Total</td><td>298.0</td></tr> </table>	1:	9.0	→	2:	9.5	↙	3:	9.9	↘	4:	*10.5	↙	5:	9.7	↙	6:	10.2	↗	7:	*10.7	↘	8:	10.3	→	9:	10.1	↗	10:	10.3	↘	Serie		100.2	Total		298.0	1. Serie 5 Skud  <table border="1" style="width:100%; border-collapse: collapse;"> <tr><td>1:</td><td>10.0</td><td>↘</td></tr> <tr><td>2:</td><td>9.7</td><td>↘</td></tr> <tr><td>3:</td><td>*10.8</td><td>↗</td></tr> <tr><td>4:</td><td>*10.8</td><td>→</td></tr> <tr><td>5:</td><td>10.3</td><td>↗</td></tr> <tr><td colspan="2">Serie</td><td>51.6</td></tr> <tr><td colspan="2">Total</td><td>349.6</td></tr> </table>	1:	10.0	↘	2:	9.7	↘	3:	*10.8	↗	4:	*10.8	→	5:	10.3	↗	Serie		51.6	Total		349.6
1:	9.0	→																																																									
2:	9.5	↙																																																									
3:	9.9	↘																																																									
4:	*10.5	↙																																																									
5:	9.7	↙																																																									
6:	10.2	↗																																																									
7:	*10.7	↘																																																									
8:	10.3	→																																																									
9:	10.1	↗																																																									
10:	10.3	↘																																																									
Serie		100.2																																																									
Total		298.0																																																									
1:	10.0	↘																																																									
2:	9.7	↘																																																									
3:	*10.8	↗																																																									
4:	*10.8	→																																																									
5:	10.3	↗																																																									
Serie		51.6																																																									
Total		349.6																																																									
2. Serie 1 Skud  <table border="1" style="width:100%; border-collapse: collapse;"> <tr><td>1:</td><td>9.0</td><td>↗</td></tr> <tr><td>9:</td><td>10.1</td><td></td></tr> <tr><td>10:</td><td>*10.7</td><td></td></tr> <tr><td colspan="2">Serie</td><td>9.0</td></tr> <tr><td colspan="2">Total</td><td>358.6</td></tr> </table>	1:	9.0	↗	9:	10.1		10:	*10.7		Serie		9.0	Total		358.6	3. Serie 1 Skud  <table border="1" style="width:100%; border-collapse: collapse;"> <tr><td>1:</td><td>9.4</td><td>↗</td></tr> <tr><td>11:</td><td>10.0</td><td></td></tr> <tr><td>12:</td><td>*10.7</td><td></td></tr> <tr><td>13:</td><td>9.9</td><td></td></tr> <tr><td>14:</td><td>9.8</td><td></td></tr> <tr><td>15:</td><td>10.3</td><td></td></tr> <tr><td colspan="2">Serie</td><td>9.4</td></tr> <tr><td colspan="2">Total</td><td>368.0</td></tr> </table>	1:	9.4	↗	11:	10.0		12:	*10.7		13:	9.9		14:	9.8		15:	10.3		Serie		9.4	Total		368.0																			
1:	9.0	↗																																																									
9:	10.1																																																										
10:	*10.7																																																										
Serie		9.0																																																									
Total		358.6																																																									
1:	9.4	↗																																																									
11:	10.0																																																										
12:	*10.7																																																										
13:	9.9																																																										
14:	9.8																																																										
15:	10.3																																																										
Serie		9.4																																																									
Total		368.0																																																									
4. Serie 1 Skud  <table border="1" style="width:100%; border-collapse: collapse;"> <tr><td>1:</td><td>10.2</td><td>↗</td></tr> <tr><td colspan="2">Serie</td><td>10.2</td></tr> <tr><td colspan="2">Total</td><td>378.2</td></tr> </table>	1:	10.2	↗	Serie		10.2	Total		378.2	5. Serie 1 Skud  <table border="1" style="width:100%; border-collapse: collapse;"> <tr><td>1:</td><td>10.1</td><td>↘</td></tr> <tr><td colspan="2">Serie</td><td>10.1</td></tr> <tr><td colspan="2">Total</td><td>388.3</td></tr> </table>	1:	10.1	↘	Serie		10.1	Total		388.3																																								
1:	10.2	↗																																																									
Serie		10.2																																																									
Total		378.2																																																									
1:	10.1	↘																																																									
Serie		10.1																																																									
Total		388.3																																																									
6. Serie 1 Skud  <table border="1" style="width:100%; border-collapse: collapse;"> <tr><td>1:</td><td>10.1</td><td>↗</td></tr> <tr><td colspan="2">Serie</td><td>10.1</td></tr> <tr><td colspan="2">Total</td><td>398.4</td></tr> </table>	1:	10.1	↗	Serie		10.1	Total		398.4																																																		
1:	10.1	↗																																																									
Serie		10.1																																																									
Total		398.4																																																									

<p>Prøve</p> 	<table border="1" style="width:100%; border-collapse: collapse;"> <tr><td>1:</td><td>9.0</td><td>↗</td></tr> <tr><td>2:</td><td>*10.6</td><td>↘</td></tr> <tr><td>3:</td><td>10.0</td><td>↗</td></tr> <tr><td>4:</td><td>*10.5</td><td>↗</td></tr> <tr><td>5:</td><td>10.1</td><td>↗</td></tr> <tr><td>6:</td><td>9.8</td><td>↖</td></tr> <tr><td>7:</td><td>*10.8</td><td>↗</td></tr> <tr><td>8:</td><td>10.2</td><td>↗</td></tr> <tr><td>9:</td><td>9.8</td><td>→</td></tr> <tr><td>10:</td><td>10.2</td><td>↘</td></tr> <tr><td colspan="2">Serie</td><td>101.0</td></tr> <tr><td colspan="2">Total</td><td>297.0</td></tr> </table>	1:	9.0	↗	2:	*10.6	↘	3:	10.0	↗	4:	*10.5	↗	5:	10.1	↗	6:	9.8	↖	7:	*10.8	↗	8:	10.2	↗	9:	9.8	→	10:	10.2	↘	Serie		101.0	Total		297.0	<p>Prøve</p> 	<table border="1" style="width:100%; border-collapse: collapse;"> <tr><td>11:</td><td>9.9</td><td>↗</td></tr> <tr><td>12:</td><td>10.3</td><td>↘</td></tr> <tr><td>13:</td><td>*10.6</td><td>↗</td></tr> <tr><td>14:</td><td>*10.6</td><td>→</td></tr> <tr><td>15:</td><td>9.7</td><td>↘</td></tr> <tr><td>16:</td><td>9.8</td><td>↗</td></tr> <tr><td colspan="2">Serie</td><td>60.9</td></tr> <tr><td colspan="2">Total</td><td>297.0</td></tr> </table>	11:	9.9	↗	12:	10.3	↘	13:	*10.6	↗	14:	*10.6	→	15:	9.7	↘	16:	9.8	↗	Serie		60.9	Total		297.0
1:	9.0	↗																																																													
2:	*10.6	↘																																																													
3:	10.0	↗																																																													
4:	*10.5	↗																																																													
5:	10.1	↗																																																													
6:	9.8	↖																																																													
7:	*10.8	↗																																																													
8:	10.2	↗																																																													
9:	9.8	→																																																													
10:	10.2	↘																																																													
Serie		101.0																																																													
Total		297.0																																																													
11:	9.9	↗																																																													
12:	10.3	↘																																																													
13:	*10.6	↗																																																													
14:	*10.6	→																																																													
15:	9.7	↘																																																													
16:	9.8	↗																																																													
Serie		60.9																																																													
Total		297.0																																																													

<p>1. Serie 5 Skud</p> 	<table border="1" style="width:100%; border-collapse: collapse;"> <tr><td>1:</td><td>*10.7</td><td>↗</td></tr> <tr><td>2:</td><td>10.4</td><td>↘</td></tr> <tr><td>3:</td><td>9.7</td><td>↘</td></tr> <tr><td>4:</td><td>10.4</td><td>↗</td></tr> <tr><td>5:</td><td>*10.8</td><td>↘</td></tr> <tr><td colspan="2">Serie</td><td>52.0</td></tr> <tr><td colspan="2">Total</td><td>349.0</td></tr> </table>	1:	*10.7	↗	2:	10.4	↘	3:	9.7	↘	4:	10.4	↗	5:	*10.8	↘	Serie		52.0	Total		349.0	<p>2. Serie 1 Skud</p> 	<table border="1" style="width:100%; border-collapse: collapse;"> <tr><td>1:</td><td>10.4</td><td>→</td></tr> <tr><td colspan="2">Serie</td><td>10.4</td></tr> <tr><td colspan="2">Total</td><td>359.4</td></tr> </table>	1:	10.4	→	Serie		10.4	Total		359.4
1:	*10.7	↗																															
2:	10.4	↘																															
3:	9.7	↘																															
4:	10.4	↗																															
5:	*10.8	↘																															
Serie		52.0																															
Total		349.0																															
1:	10.4	→																															
Serie		10.4																															
Total		359.4																															

<p>3. Serie 1 Skud</p> 	<table border="1" style="width:100%; border-collapse: collapse;"> <tr><td>1:</td><td>10.0</td><td>→</td></tr> <tr><td colspan="2">Serie</td><td>10.0</td></tr> <tr><td colspan="2">Total</td><td>369.4</td></tr> </table>	1:	10.0	→	Serie		10.0	Total		369.4	<p>4. Serie 1 Skud</p> 	<table border="1" style="width:100%; border-collapse: collapse;"> <tr><td>1:</td><td>9.9</td><td>→</td></tr> <tr><td colspan="2">Serie</td><td>9.9</td></tr> <tr><td colspan="2">Total</td><td>379.3</td></tr> </table>	1:	9.9	→	Serie		9.9	Total		379.3
1:	10.0	→																			
Serie		10.0																			
Total		369.4																			
1:	9.9	→																			
Serie		9.9																			
Total		379.3																			

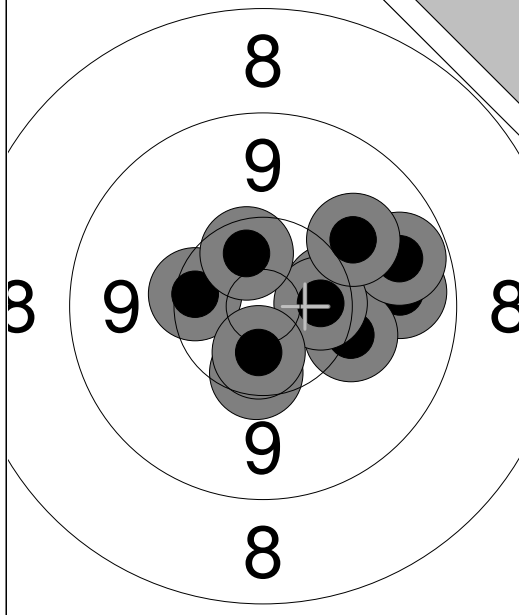
<p>5. Serie 1 Skud</p> 	<table border="1" style="width:100%; border-collapse: collapse;"> <tr><td>1:</td><td>*10.5</td><td>↖</td></tr> <tr><td colspan="2">Serie</td><td>10.5</td></tr> <tr><td colspan="2">Total</td><td>389.8</td></tr> </table>	1:	*10.5	↖	Serie		10.5	Total		389.8	<p>6. Serie 1 Skud</p> 	<table border="1" style="width:100%; border-collapse: collapse;"> <tr><td>1:</td><td>9.6</td><td>↘</td></tr> <tr><td colspan="2">Serie</td><td>9.6</td></tr> <tr><td colspan="2">Total</td><td>399.4</td></tr> </table>	1:	9.6	↘	Serie		9.6	Total		399.4
1:	*10.5	↖																			
Serie		10.5																			
Total		389.8																			
1:	9.6	↘																			
Serie		9.6																			
Total		399.4																			

Hobro Egnens Skytteforening

27. - 28. august 2011 NM 2011

Aalborg Skyttekreds

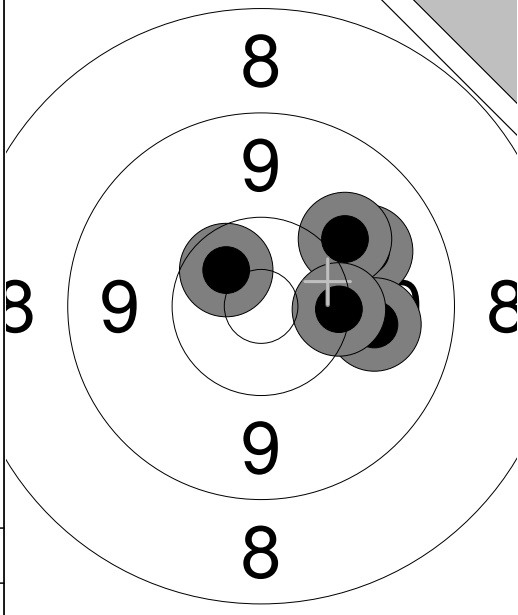
Prøve



- 1: 9.7 →
- 2: 10.3 →
- 3: 10.1 →
- 4: 9.6 →
- 5: 10.4 ↓
- 6: *10.4 →
- 7: 10.3 ←
- 8: 10.0 ↗
- 9: *10.5 ↓
- 10: *10.5 ↗

Serie	101.8
Total	297.0

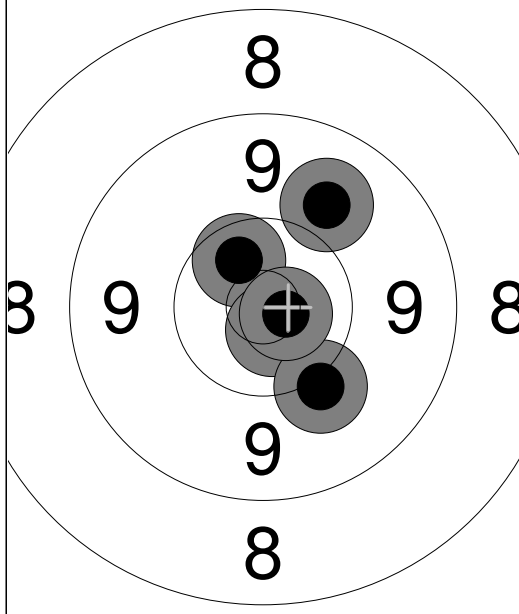
Prøve



- 11: 9.9 ↗
- 12: 10.0 ↗
- 13: 9.9 →
- 14: *10.5 ↖
- 15: 10.3 →

Serie	50.6
Total	297.0

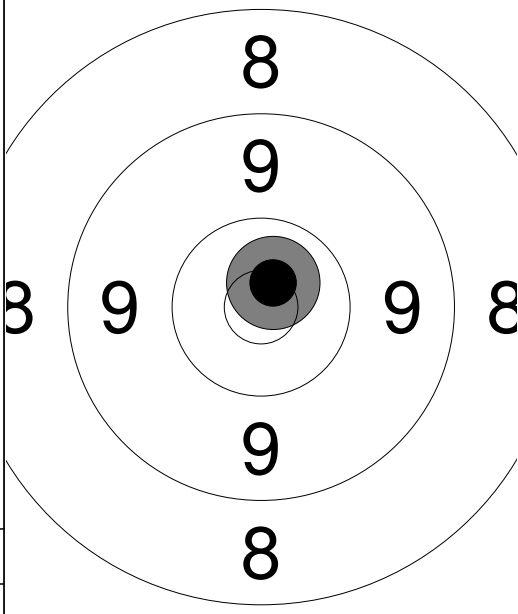
1. Serie 5 Skud



- 1: *10.5 ↖
- 2: *10.7 ↓
- 3: 10.1 ↘
- 4: 9.9 ↗
- 5: *10.7 →

Serie	51.9
Total	348.9

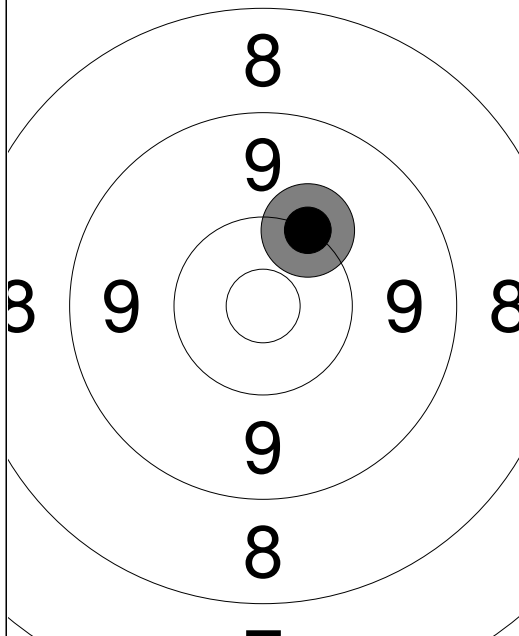
2. Serie 1 Skud



- 1: *10.7 ↗

Serie	10.7
Total	359.6

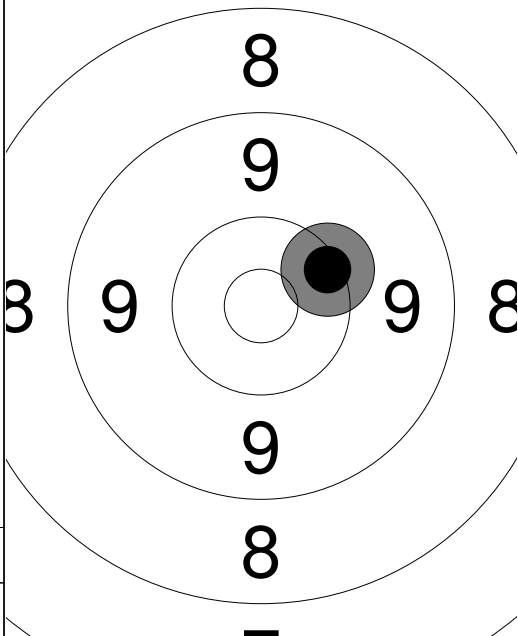
3. Serie 1 Skud



- 1: 10.2 ↗

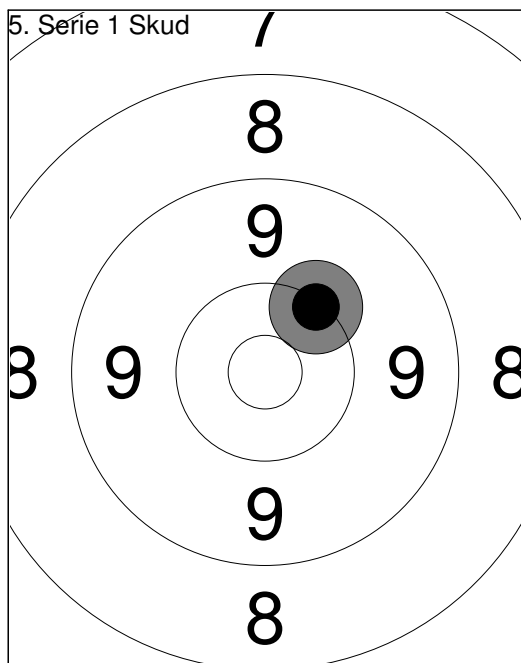
Serie	10.2
Total	369.8

4. Serie 1 Skud



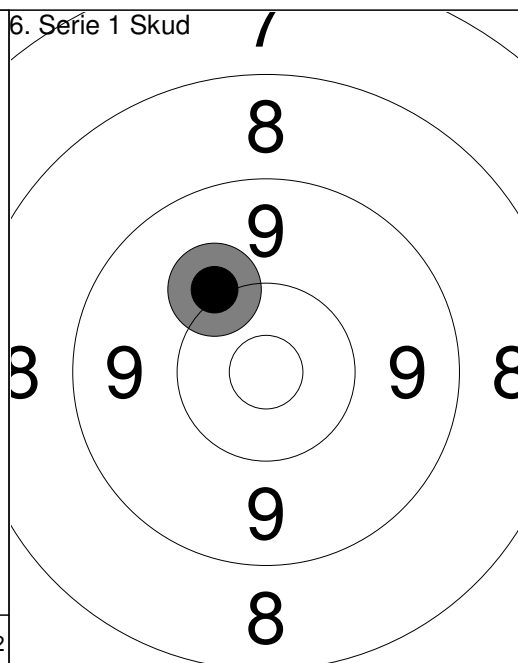
- 1: 10.3 ↗

Serie	10.3
Total	380.1



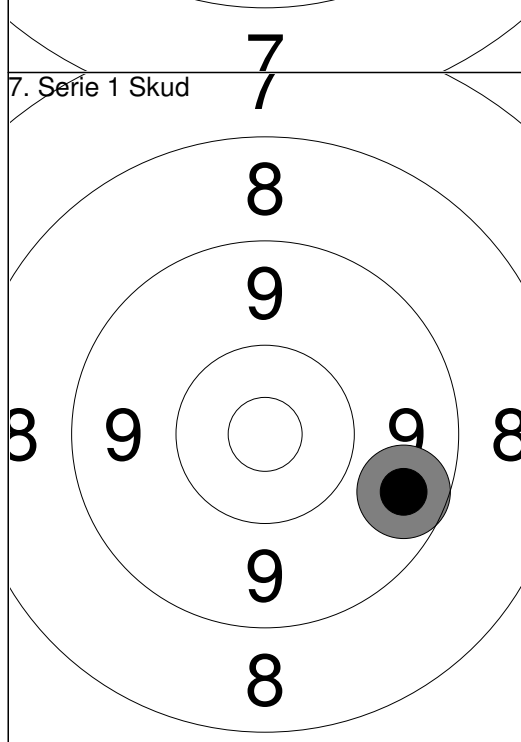
1: 10.2 ↗

Serie	10.2
Total	390.3



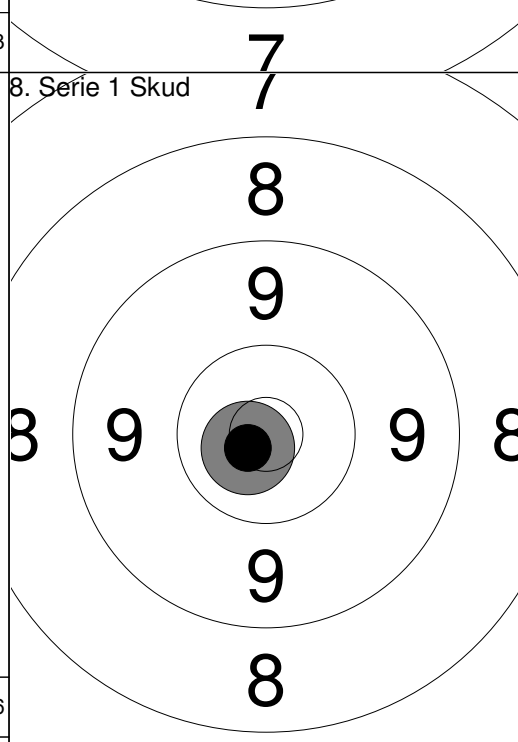
1: 10.1 ↖

Serie	10.1
Total	400.4



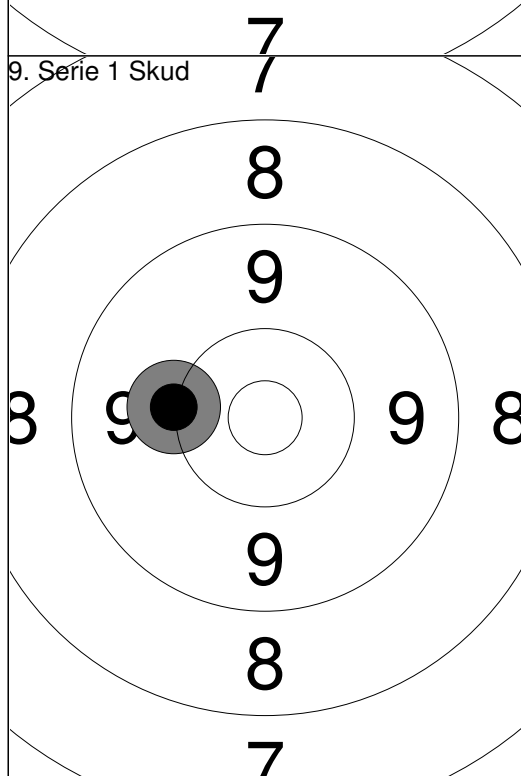
1: 9.6 →

Serie	9.6
Total	410.0



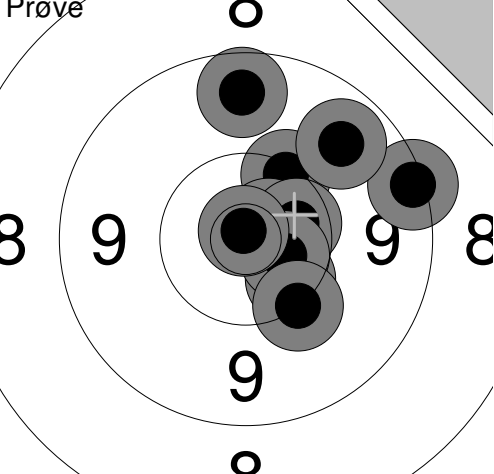
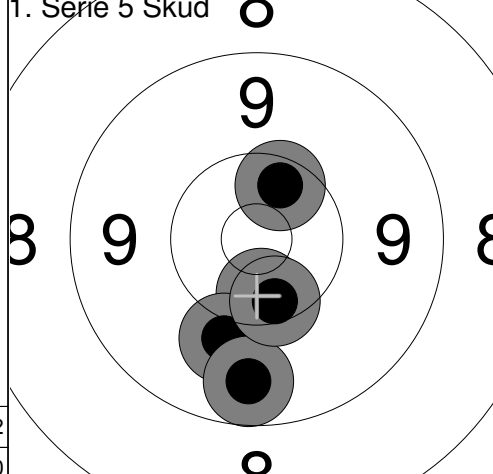
1: *10.8 ↙

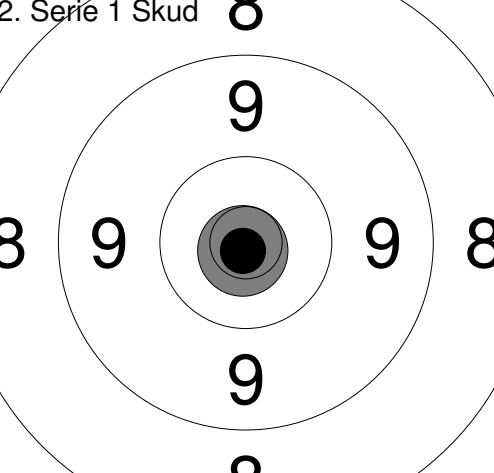
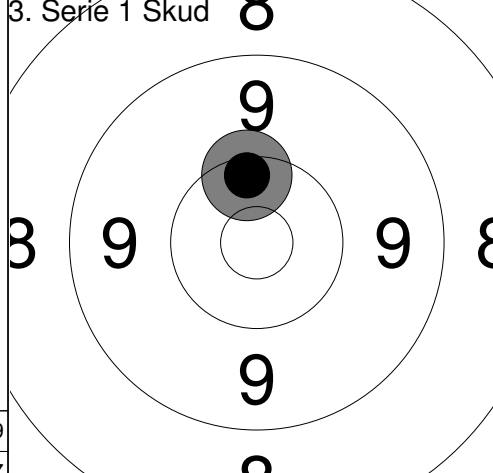
Serie	10.8
Total	420.8

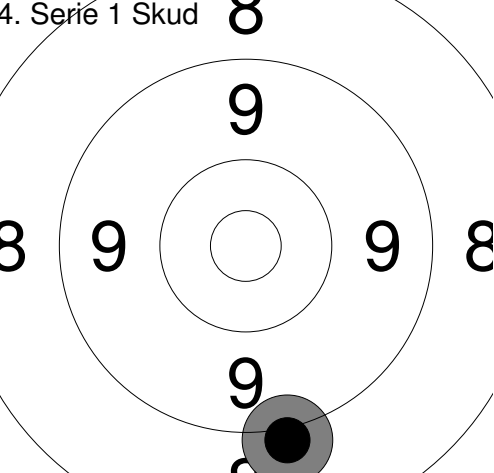
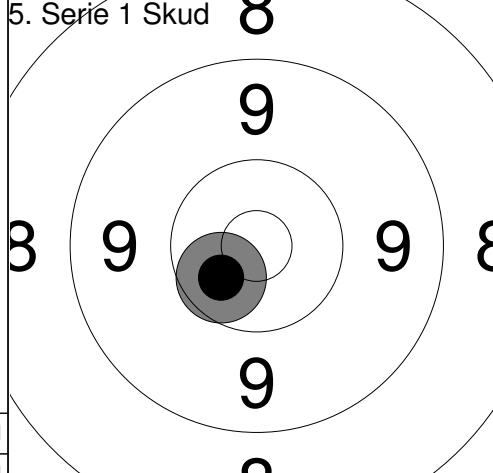


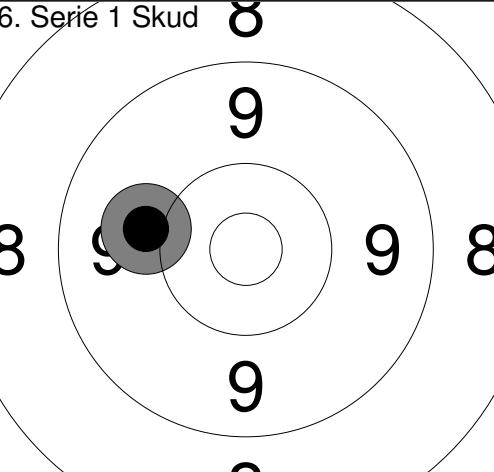
1: 10.1 ←

Serie	10.1
Total	430.9

Prøve 	<table border="1" style="width:100%; border-collapse: collapse;"> <tr><td>1:</td><td>9.3</td><td>→</td></tr> <tr><td>2:</td><td>10.4</td><td>↘</td></tr> <tr><td>3:</td><td>9.6</td><td>↑</td></tr> <tr><td>4:</td><td>10.3</td><td>↗</td></tr> <tr><td>5:</td><td>9.7</td><td>↗</td></tr> <tr><td>6:</td><td>*10.7</td><td>↗</td></tr> <tr><td>7:</td><td>*10.5</td><td>→</td></tr> <tr><td>8:</td><td>*10.6</td><td>↘</td></tr> <tr><td>9:</td><td>10.2</td><td>↘</td></tr> <tr><td>10:</td><td>*10.9</td><td>↑</td></tr> <tr><td colspan="2">Serie</td><td>102.2</td></tr> <tr><td colspan="2">Total</td><td>297.0</td></tr> </table>	1:	9.3	→	2:	10.4	↘	3:	9.6	↑	4:	10.3	↗	5:	9.7	↗	6:	*10.7	↗	7:	*10.5	→	8:	*10.6	↘	9:	10.2	↘	10:	*10.9	↑	Serie		102.2	Total		297.0	1. Serie 5 Skud  <table border="1" style="width:100%; border-collapse: collapse;"> <tr><td>1:</td><td>*10.4</td><td>↓</td></tr> <tr><td>2:</td><td>10.0</td><td>↓</td></tr> <tr><td>3:</td><td>9.6</td><td>↓</td></tr> <tr><td>4:</td><td>*10.4</td><td>↗</td></tr> <tr><td>5:</td><td>10.4</td><td>↘</td></tr> <tr><td colspan="2">Serie</td><td>50.8</td></tr> <tr><td colspan="2">Total</td><td>347.8</td></tr> </table>	1:	*10.4	↓	2:	10.0	↓	3:	9.6	↓	4:	*10.4	↗	5:	10.4	↘	Serie		50.8	Total		347.8
1:	9.3	→																																																									
2:	10.4	↘																																																									
3:	9.6	↑																																																									
4:	10.3	↗																																																									
5:	9.7	↗																																																									
6:	*10.7	↗																																																									
7:	*10.5	→																																																									
8:	*10.6	↘																																																									
9:	10.2	↘																																																									
10:	*10.9	↑																																																									
Serie		102.2																																																									
Total		297.0																																																									
1:	*10.4	↓																																																									
2:	10.0	↓																																																									
3:	9.6	↓																																																									
4:	*10.4	↗																																																									
5:	10.4	↘																																																									
Serie		50.8																																																									
Total		347.8																																																									

2. Serie 1 Skud  <table border="1" style="width:100%; border-collapse: collapse;"> <tr><td colspan="2">Serie</td><td>10.9</td></tr> <tr><td colspan="2">Total</td><td>358.7</td></tr> </table>	Serie		10.9	Total		358.7	3. Serie 1 Skud  <table border="1" style="width:100%; border-collapse: collapse;"> <tr><td>1:</td><td>10.3</td><td>↑</td></tr> <tr><td colspan="2">Serie</td><td>10.3</td></tr> <tr><td colspan="2">Total</td><td>369.0</td></tr> </table>	1:	10.3	↑	Serie		10.3	Total		369.0
Serie		10.9														
Total		358.7														
1:	10.3	↑														
Serie		10.3														
Total		369.0														

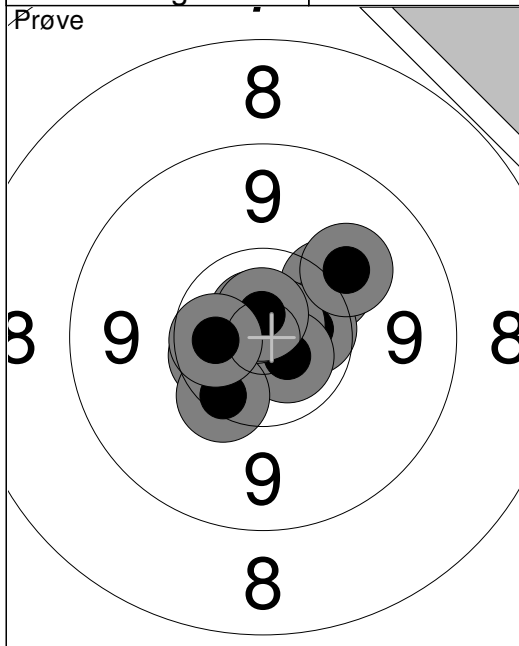
4. Serie 1 Skud  <table border="1" style="width:100%; border-collapse: collapse;"> <tr><td>1:</td><td>9.1</td><td>↓</td></tr> <tr><td colspan="2">Serie</td><td>9.1</td></tr> <tr><td colspan="2">Total</td><td>378.1</td></tr> </table>	1:	9.1	↓	Serie		9.1	Total		378.1	5. Serie 1 Skud  <table border="1" style="width:100%; border-collapse: collapse;"> <tr><td>1:</td><td>*10.5</td><td>↙</td></tr> <tr><td colspan="2">Serie</td><td>10.5</td></tr> <tr><td colspan="2">Total</td><td>388.6</td></tr> </table>	1:	*10.5	↙	Serie		10.5	Total		388.6
1:	9.1	↓																	
Serie		9.1																	
Total		378.1																	
1:	*10.5	↙																	
Serie		10.5																	
Total		388.6																	

6. Serie 1 Skud  <table border="1" style="width:100%; border-collapse: collapse;"> <tr><td>1:</td><td>10.0</td><td>←</td></tr> <tr><td colspan="2">Serie</td><td>10.0</td></tr> <tr><td colspan="2">Total</td><td>398.6</td></tr> </table>	1:	10.0	←	Serie		10.0	Total		398.6	
1:	10.0	←								
Serie		10.0								
Total		398.6								

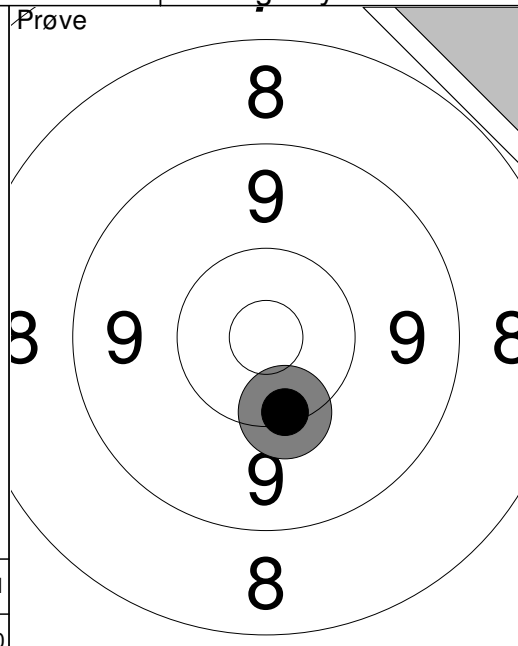
Vester Hassing Skf.

27. - 28. august 2011 NM 2011

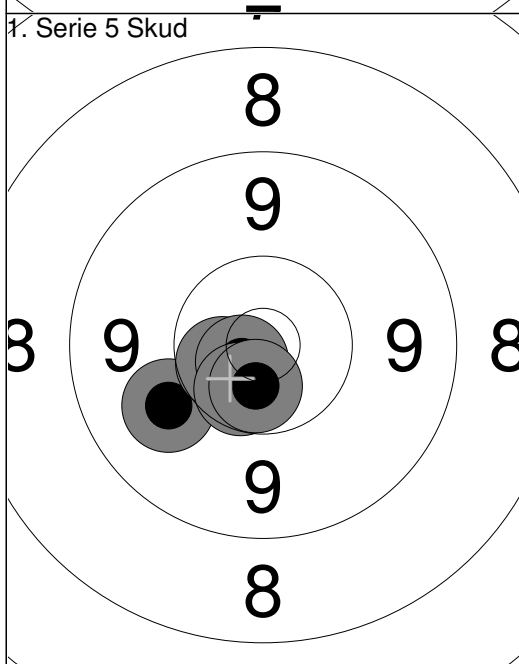
Aalborg Skyttekreds



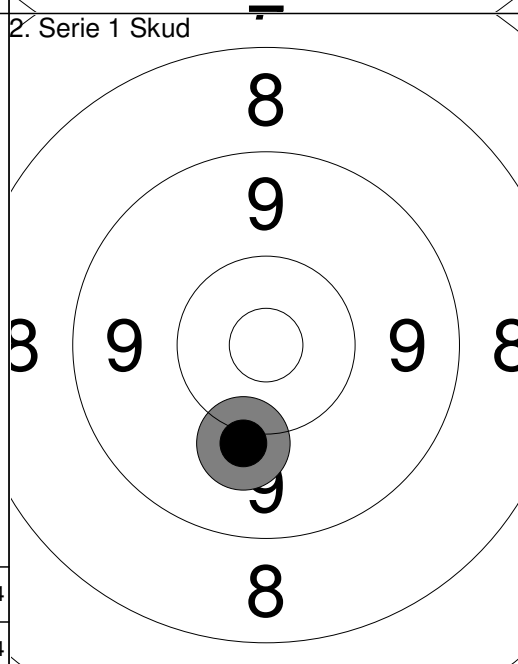
1:	10.2	↗
2:	*10.5	→
3:	*10.5	←
4:	*10.8	↗
5:	10.0	↗
6:	*10.7	↘
7:	*10.8	↗
8:	10.3	↘
9:	*10.8	↑
10:	*10.5	←
Serie		105.1
Total		297.0



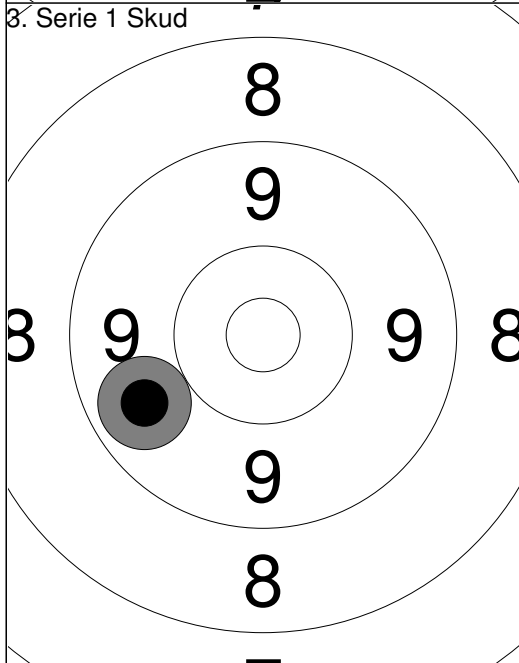
11:	10.3	↘
Serie		10.3
Total		297.0



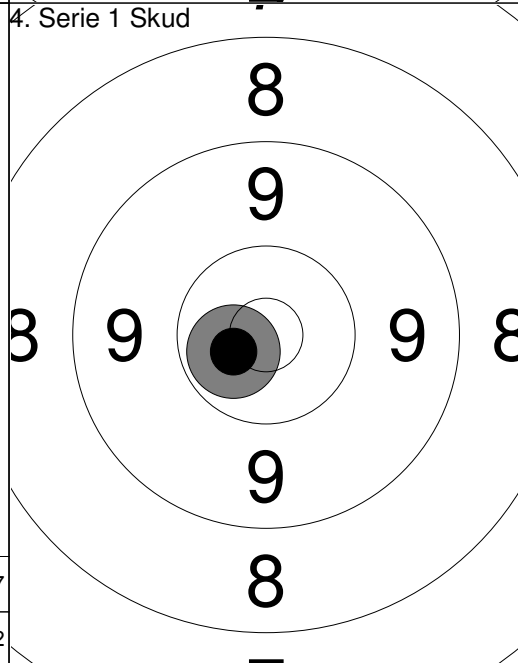
1:	10.0	↙
2:	*10.6	↙
3:	*10.7	↙
4:	*10.5	↘
5:	*10.6	↘
Serie		52.4
Total		349.4



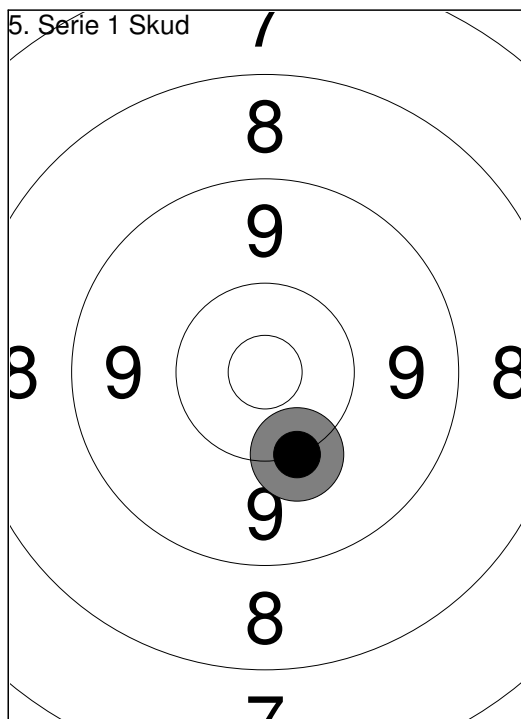
1:	10.1	↘
Serie		10.1
Total		359.5



1:	9.7	↙
Serie		9.7
Total		369.2

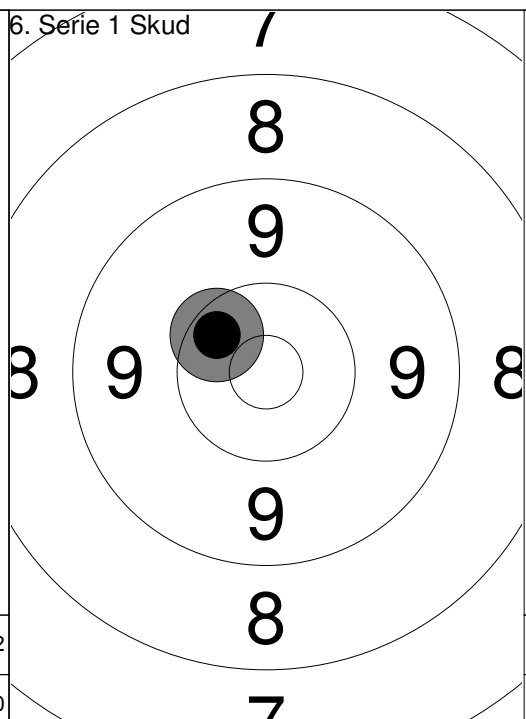


1:	*10.6	↙
Serie		10.6
Total		379.8



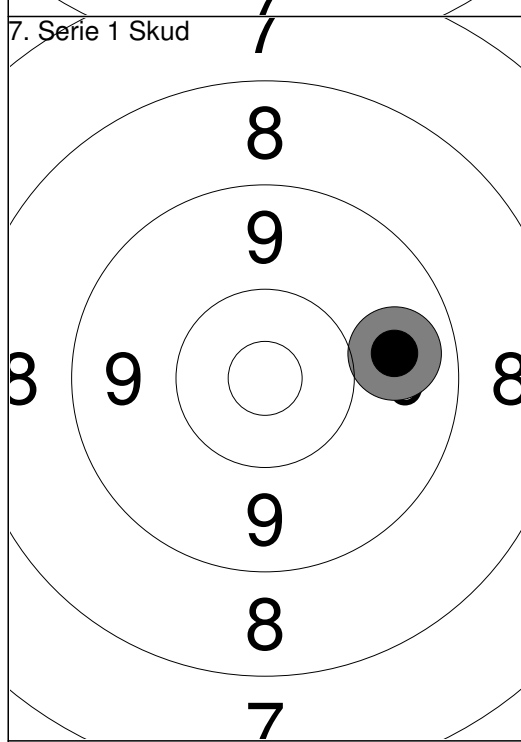
1: 10.2 ↓

Serie	10.2
Total	390.0



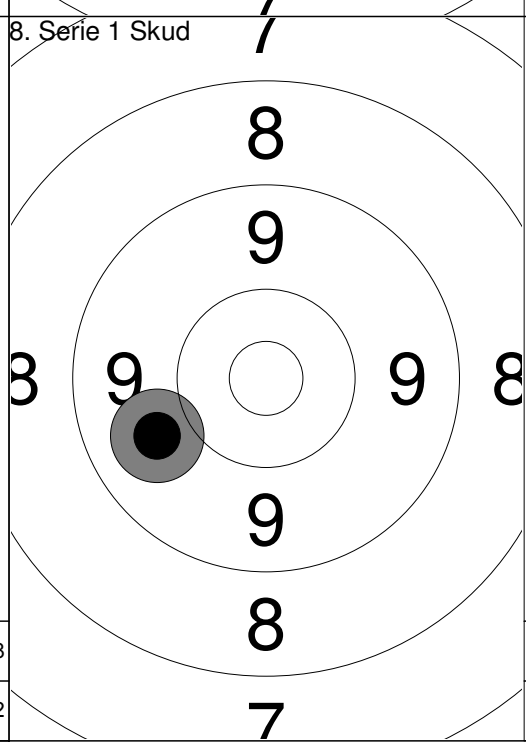
1: 10.4 ↖

Serie	10.4
Total	400.4



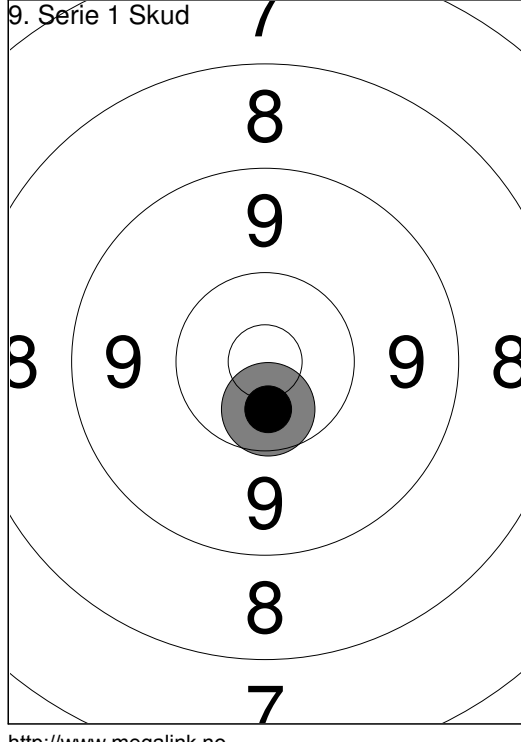
1: 9.8 →

Serie	9.8
Total	410.2



1: 9.9 ↙

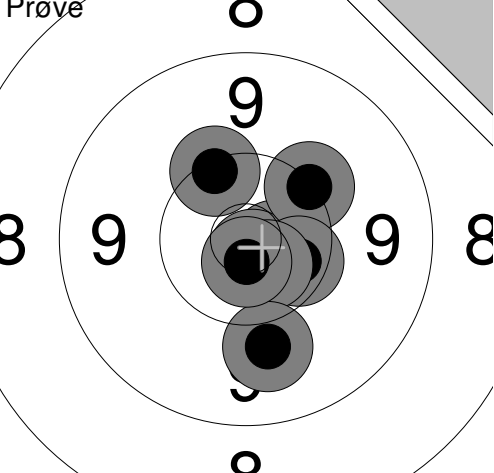
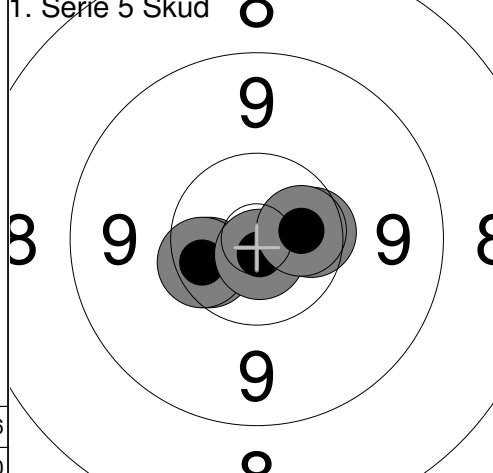
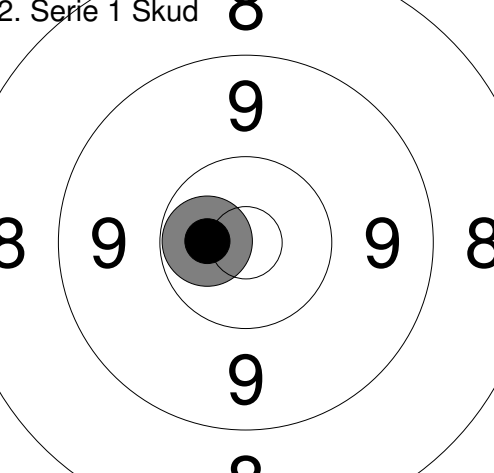
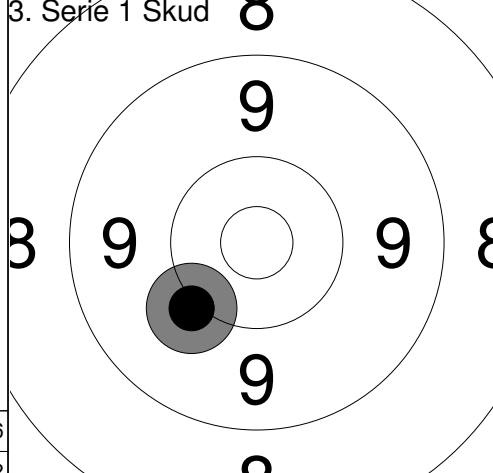
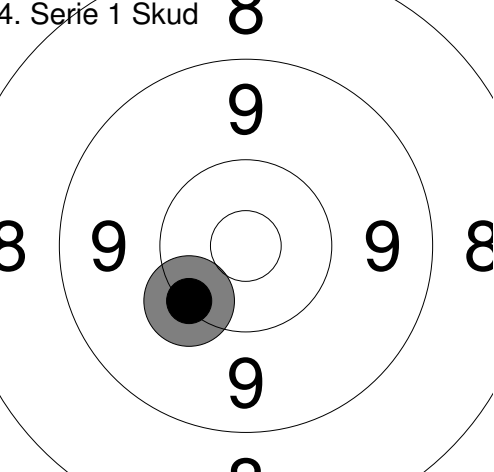
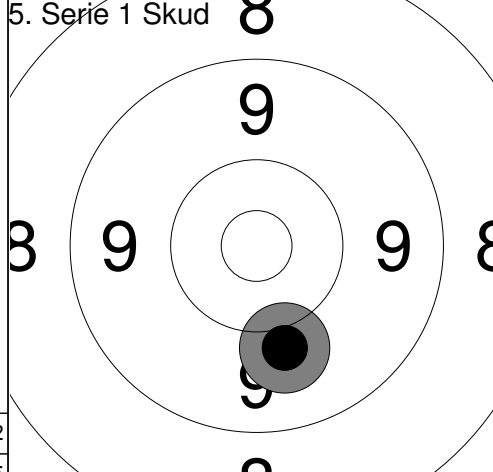
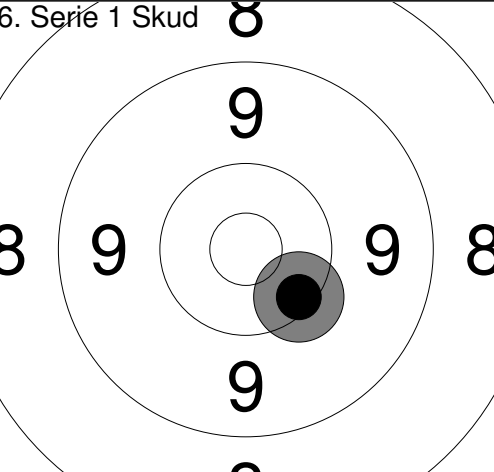
Serie	9.9
Total	420.1

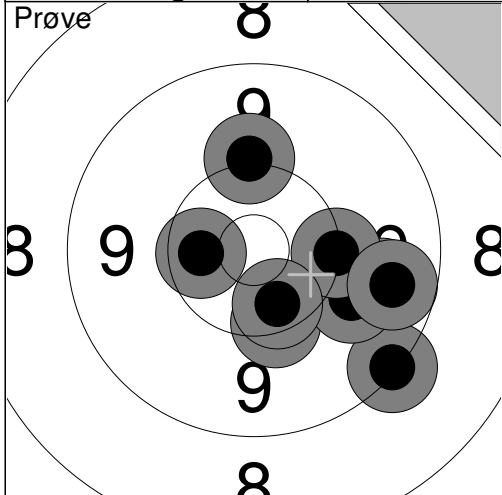


1: *10.5 ↓

Serie	10.5
Total	430.6

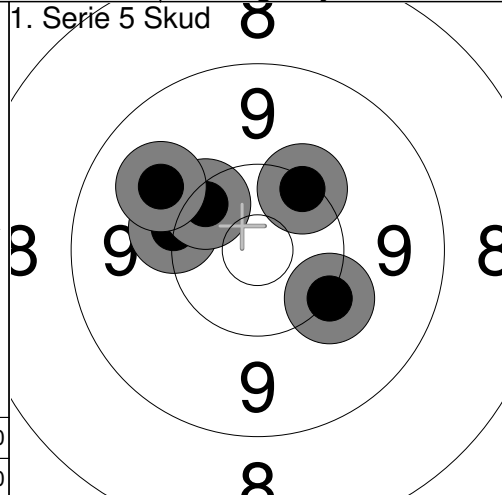
--	--

Prøve 	1: *10.7 → 2: *10.8 ↓ 3: 10.2 ↗ 4: 10.3 ↗ 5: *10.4 ↓ 6: *10.6 ↓ 7: 9.9 ↓ 8: *10.7 ↓	1. Serie 5 Skud 	1: *10.5 ← 2: *10.4 → 3: 10.4 ← 4: *10.8 ↓ 5: *10.5 →
	Serie 83.6		Serie 52.6
	Total 300.0		Total 352.6
2. Serie 1 Skud 	1: *10.6 ←	3. Serie 1 Skud 	1: 10.1 ↙
	Serie 10.6		Serie 10.1
	Total 363.2		Total 373.3
4. Serie 1 Skud 	1: 10.2 ↙	5. Serie 1 Skud 	1: 10.0 ↓
	Serie 10.2		Serie 10.0
	Total 383.5		Total 393.5
6. Serie 1 Skud 	1: 10.3 ↘		
	Serie 10.3		
	Total 403.8		



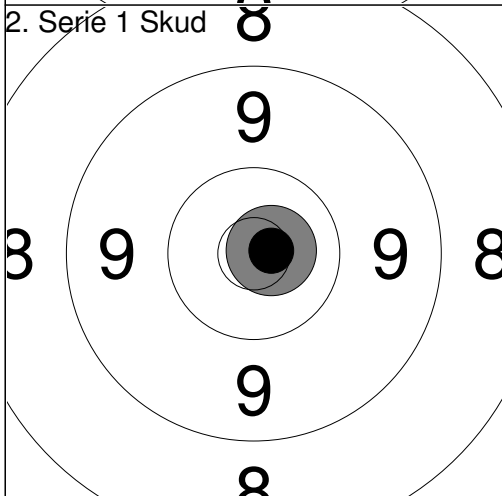
1:	*10.5	←
2:	10.3	↙
3:	9.7	→
4:	9.2	↘
5:	10.0	↘
6:	10.2	→
7:	10.4	↙
8:	10.1	↑
9:	9.6	→

Serie	90.0
Total	300.0



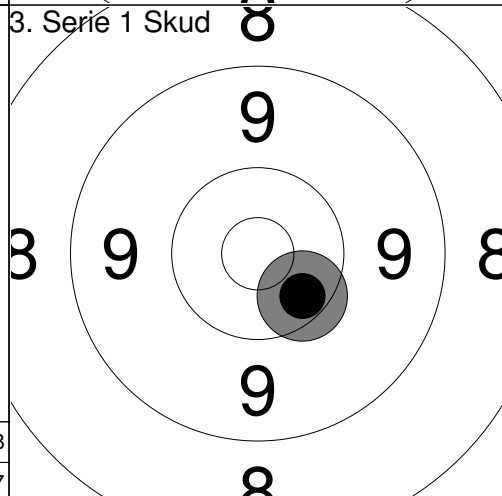
1:	10.2	↘
2:	10.2	←
3:	10.3	↗
4:	9.9	↗
5:	10.3	↗

Serie	50.9
Total	350.9



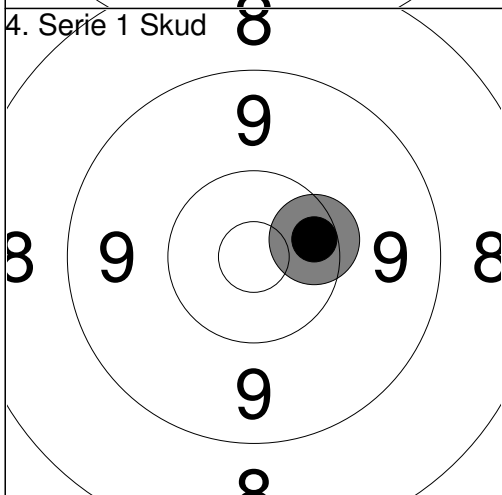
1:	*10.8	→
----	-------	---

Serie	10.8
Total	361.7



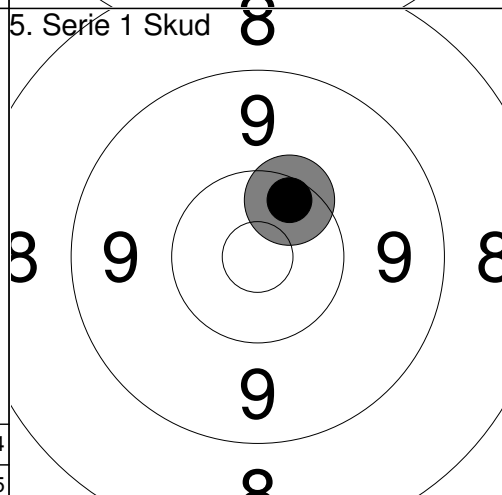
1:	10.4	↘
----	------	---

Serie	10.4
Total	372.1



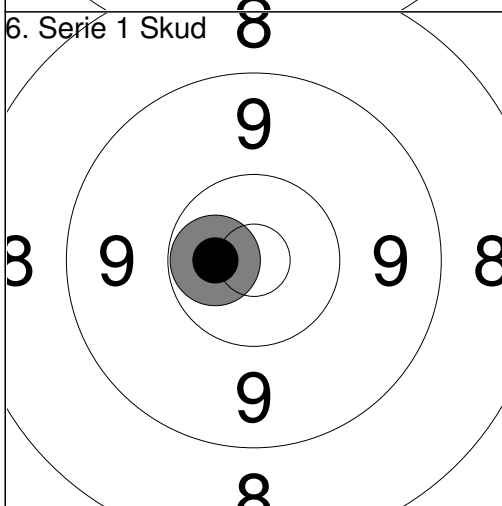
1:	10.4	→
----	------	---

Serie	10.4
Total	382.5



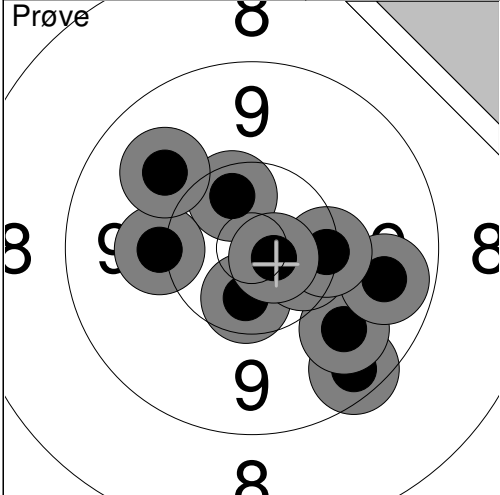
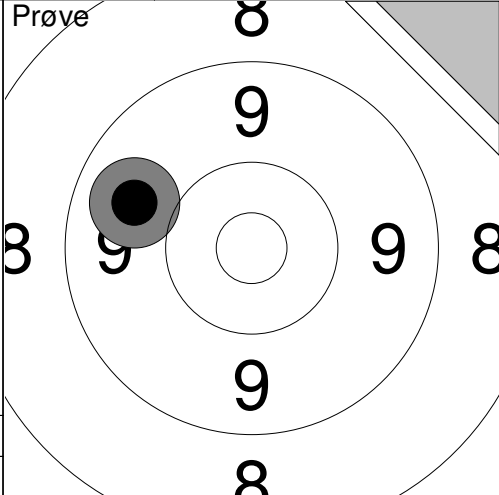
1:	10.4	↗
----	------	---

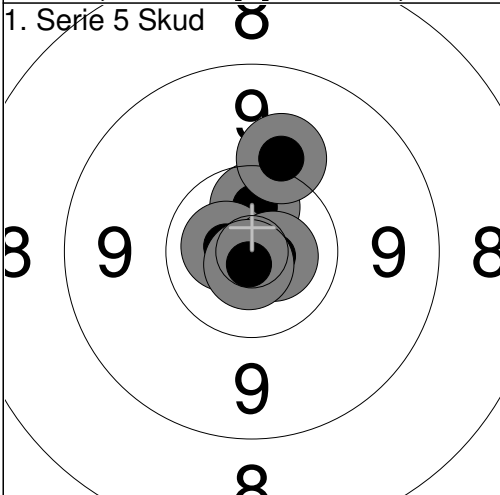
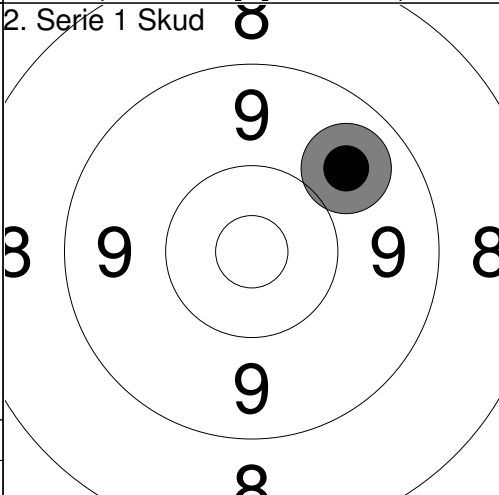
Serie	10.4
Total	392.9

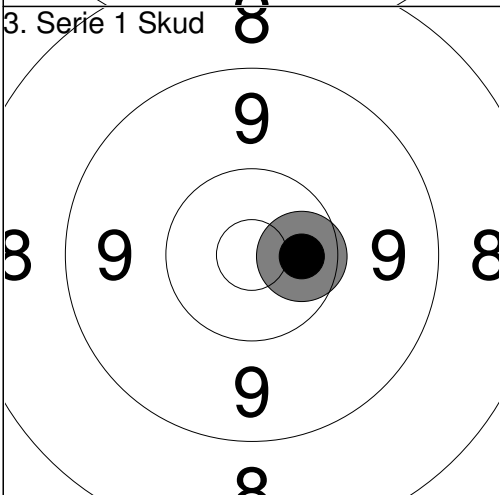
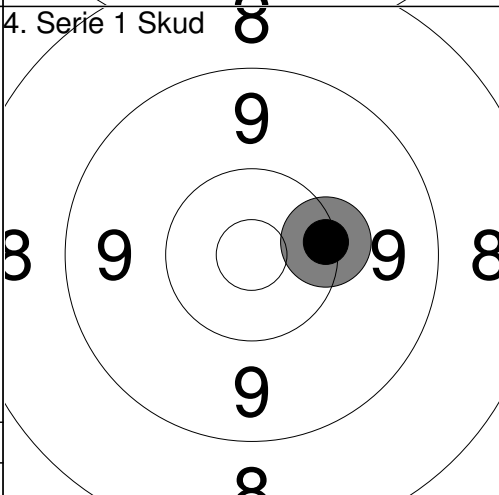


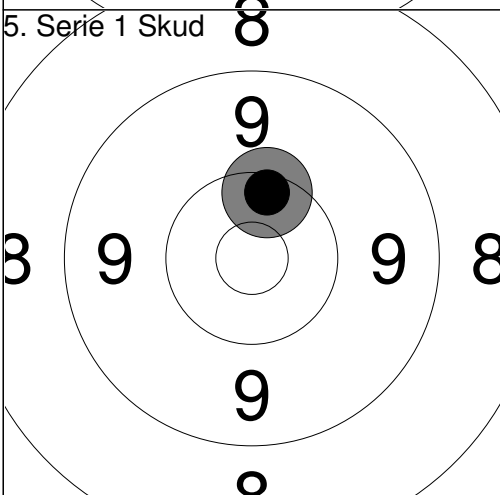
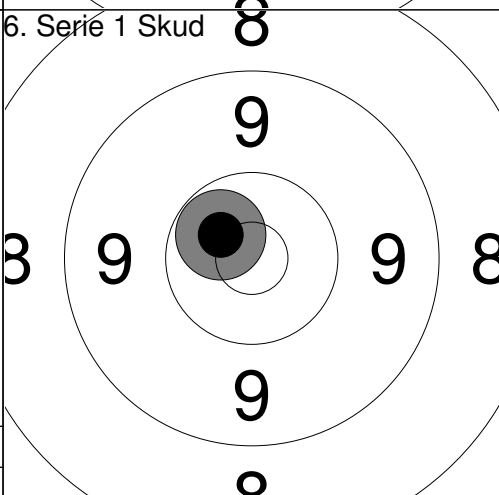
1:	*10.6	←
----	-------	---

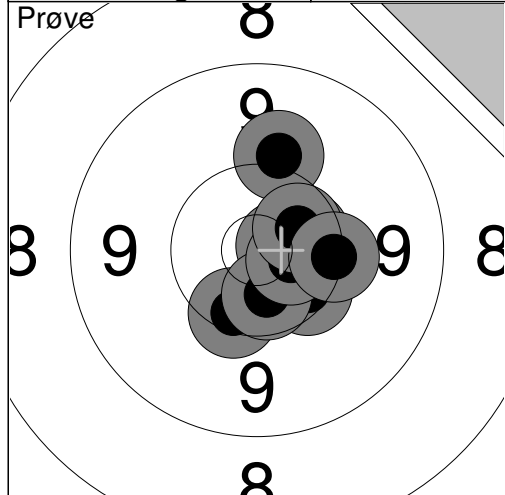
Serie	10.6
Total	403.5

<p>Prøve</p> 	<table style="width:100%; border-collapse: collapse;"> <tr><td>1:</td><td>9.5</td><td>↘</td></tr> <tr><td>2:</td><td>9.8</td><td>↘</td></tr> <tr><td>3:</td><td>9.7</td><td>→</td></tr> <tr><td>4:</td><td>*10.5</td><td>↘</td></tr> <tr><td>5:</td><td>*10.5</td><td>↘</td></tr> <tr><td>6:</td><td>*10.4</td><td>↗</td></tr> <tr><td>7:</td><td>10.1</td><td>←</td></tr> <tr><td>8:</td><td>10.3</td><td>→</td></tr> <tr><td>9:</td><td>9.9</td><td>↗</td></tr> <tr><td>10:</td><td>*10.7</td><td>↘</td></tr> </table> <table style="width:100%; border-collapse: collapse; margin-top: 5px;"> <tr><td style="border-top: 1px solid black;">Serie</td><td style="border-top: 1px solid black; text-align: right;">101.4</td></tr> <tr><td style="border-top: 1px solid black;">Total</td><td style="border-top: 1px solid black; text-align: right;">300.0</td></tr> </table>	1:	9.5	↘	2:	9.8	↘	3:	9.7	→	4:	*10.5	↘	5:	*10.5	↘	6:	*10.4	↗	7:	10.1	←	8:	10.3	→	9:	9.9	↗	10:	*10.7	↘	Serie	101.4	Total	300.0	<p>Prøve</p> 	<table style="width:100%; border-collapse: collapse;"> <tr><td>11:</td><td>9.8</td><td>↖</td></tr> </table> <table style="width:100%; border-collapse: collapse; margin-top: 5px;"> <tr><td style="border-top: 1px solid black;">Serie</td><td style="border-top: 1px solid black; text-align: right;">9.8</td></tr> <tr><td style="border-top: 1px solid black;">Total</td><td style="border-top: 1px solid black; text-align: right;">300.0</td></tr> </table>	11:	9.8	↖	Serie	9.8	Total	300.0
1:	9.5	↘																																										
2:	9.8	↘																																										
3:	9.7	→																																										
4:	*10.5	↘																																										
5:	*10.5	↘																																										
6:	*10.4	↗																																										
7:	10.1	←																																										
8:	10.3	→																																										
9:	9.9	↗																																										
10:	*10.7	↘																																										
Serie	101.4																																											
Total	300.0																																											
11:	9.8	↖																																										
Serie	9.8																																											
Total	300.0																																											

<p>1. Serie 5 Skud</p> 	<table style="width:100%; border-collapse: collapse;"> <tr><td>1:</td><td>*10.5</td><td>↑</td></tr> <tr><td>2:</td><td>10.1</td><td>↑</td></tr> <tr><td>3:</td><td>*10.7</td><td>←</td></tr> <tr><td>4:</td><td>*10.8</td><td>→</td></tr> <tr><td>5:</td><td>*10.8</td><td>↓</td></tr> </table> <table style="width:100%; border-collapse: collapse; margin-top: 5px;"> <tr><td style="border-top: 1px solid black;">Serie</td><td style="border-top: 1px solid black; text-align: right;">52.9</td></tr> <tr><td style="border-top: 1px solid black;">Total</td><td style="border-top: 1px solid black; text-align: right;">352.9</td></tr> </table>	1:	*10.5	↑	2:	10.1	↑	3:	*10.7	←	4:	*10.8	→	5:	*10.8	↓	Serie	52.9	Total	352.9	<p>2. Serie 1 Skud</p> 	<table style="width:100%; border-collapse: collapse;"> <tr><td>1:</td><td>9.8</td><td>↗</td></tr> </table> <table style="width:100%; border-collapse: collapse; margin-top: 5px;"> <tr><td style="border-top: 1px solid black;">Serie</td><td style="border-top: 1px solid black; text-align: right;">9.8</td></tr> <tr><td style="border-top: 1px solid black;">Total</td><td style="border-top: 1px solid black; text-align: right;">362.7</td></tr> </table>	1:	9.8	↗	Serie	9.8	Total	362.7
1:	*10.5	↑																											
2:	10.1	↑																											
3:	*10.7	←																											
4:	*10.8	→																											
5:	*10.8	↓																											
Serie	52.9																												
Total	352.9																												
1:	9.8	↗																											
Serie	9.8																												
Total	362.7																												

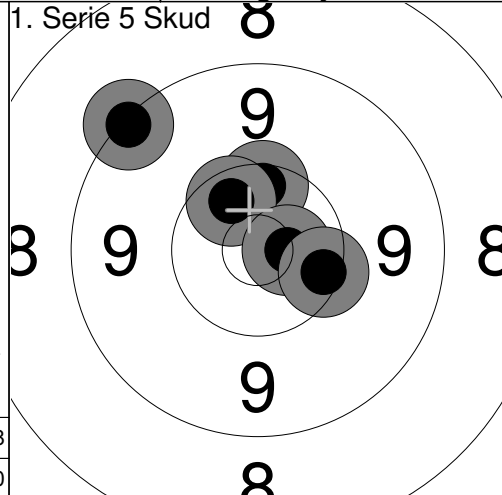
<p>3. Serie 1 Skud</p> 	<table style="width:100%; border-collapse: collapse;"> <tr><td>1:</td><td>*10.5</td><td>→</td></tr> </table> <table style="width:100%; border-collapse: collapse; margin-top: 5px;"> <tr><td style="border-top: 1px solid black;">Serie</td><td style="border-top: 1px solid black; text-align: right;">10.5</td></tr> <tr><td style="border-top: 1px solid black;">Total</td><td style="border-top: 1px solid black; text-align: right;">373.2</td></tr> </table>	1:	*10.5	→	Serie	10.5	Total	373.2	<p>4. Serie 1 Skud</p> 	<table style="width:100%; border-collapse: collapse;"> <tr><td>1:</td><td>10.3</td><td>→</td></tr> </table> <table style="width:100%; border-collapse: collapse; margin-top: 5px;"> <tr><td style="border-top: 1px solid black;">Serie</td><td style="border-top: 1px solid black; text-align: right;">10.3</td></tr> <tr><td style="border-top: 1px solid black;">Total</td><td style="border-top: 1px solid black; text-align: right;">383.5</td></tr> </table>	1:	10.3	→	Serie	10.3	Total	383.5
1:	*10.5	→															
Serie	10.5																
Total	373.2																
1:	10.3	→															
Serie	10.3																
Total	383.5																

<p>5. Serie 1 Skud</p> 	<table style="width:100%; border-collapse: collapse;"> <tr><td>1:</td><td>10.3</td><td>↑</td></tr> </table> <table style="width:100%; border-collapse: collapse; margin-top: 5px;"> <tr><td style="border-top: 1px solid black;">Serie</td><td style="border-top: 1px solid black; text-align: right;">10.3</td></tr> <tr><td style="border-top: 1px solid black;">Total</td><td style="border-top: 1px solid black; text-align: right;">393.8</td></tr> </table>	1:	10.3	↑	Serie	10.3	Total	393.8	<p>6. Serie 1 Skud</p> 	<table style="width:100%; border-collapse: collapse;"> <tr><td>1:</td><td>*10.6</td><td>↖</td></tr> </table> <table style="width:100%; border-collapse: collapse; margin-top: 5px;"> <tr><td style="border-top: 1px solid black;">Serie</td><td style="border-top: 1px solid black; text-align: right;">10.6</td></tr> <tr><td style="border-top: 1px solid black;">Total</td><td style="border-top: 1px solid black; text-align: right;">404.4</td></tr> </table>	1:	*10.6	↖	Serie	10.6	Total	404.4
1:	10.3	↑															
Serie	10.3																
Total	393.8																
1:	*10.6	↖															
Serie	10.6																
Total	404.4																



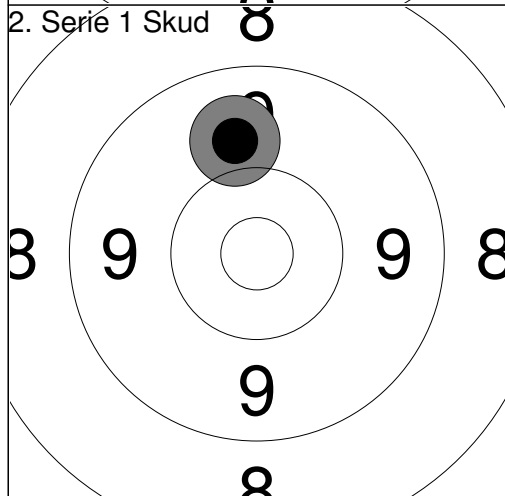
1:	*10.7	→
2:	*10.5	→
3:	10.4	↘
4:	10.3	↘
5:	*10.5	↘
6:	10.1	↑
7:	*10.6	→
8:	*10.5	↗
9:	10.2	→

Serie	93.8
Total	300.0



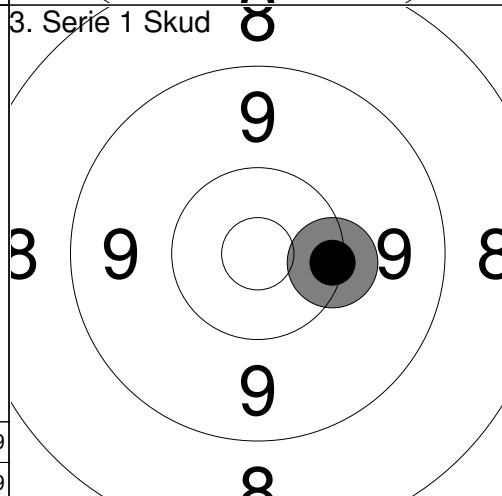
1:	9.2	↖
2:	10.4	↑
3:	*10.4	↗
4:	*10.7	→
5:	10.3	↘

Serie	51.0
Total	351.0



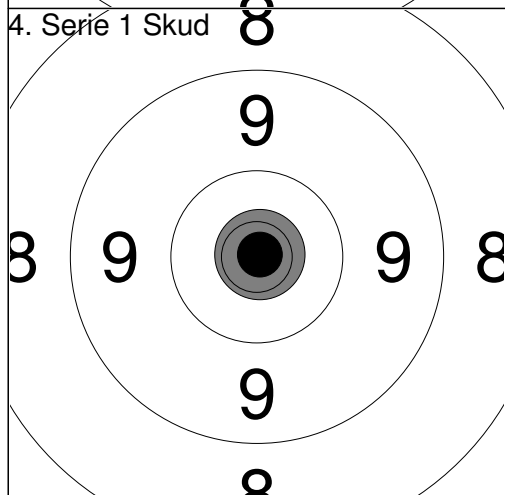
1:	9.9	↑
----	-----	---

Serie	9.9
Total	360.9



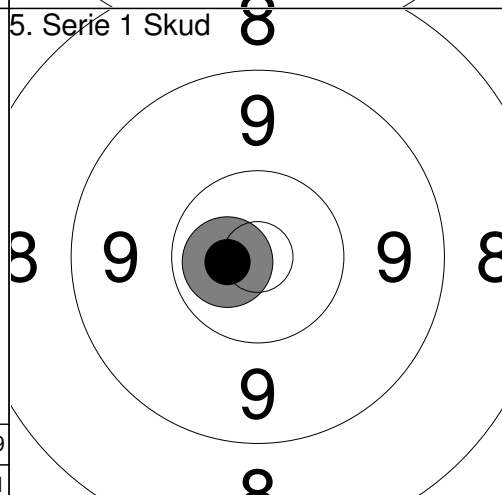
1:	10.3	→
----	------	---

Serie	10.3
Total	371.2



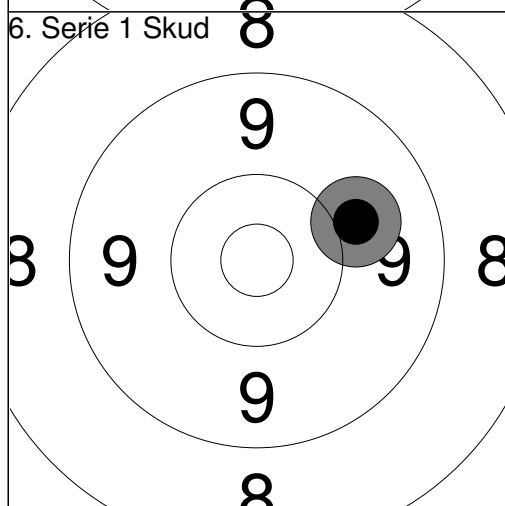
1:	*10.9	↗
----	-------	---

Serie	10.9
Total	382.1



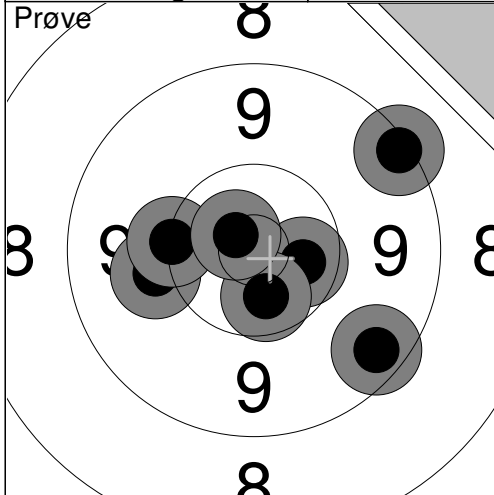
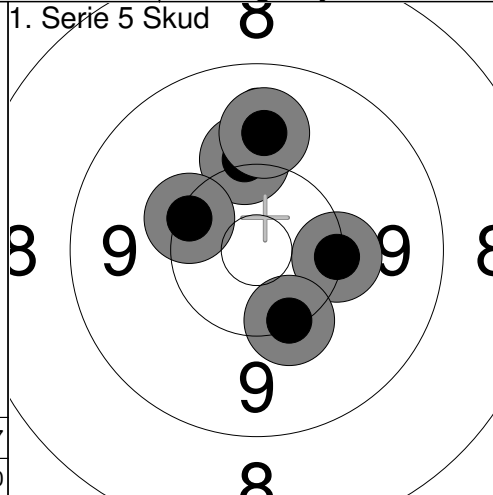
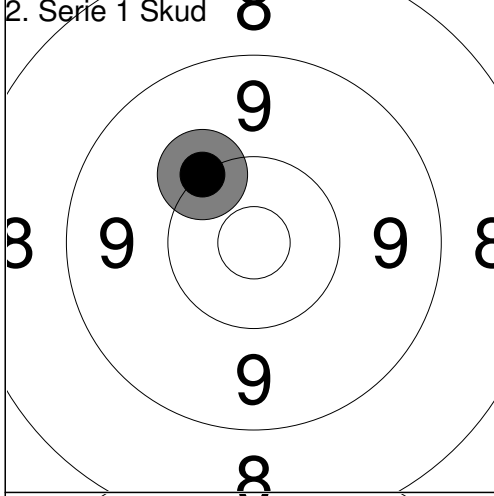
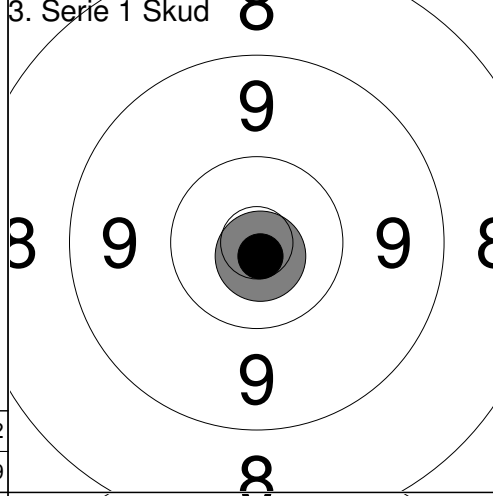
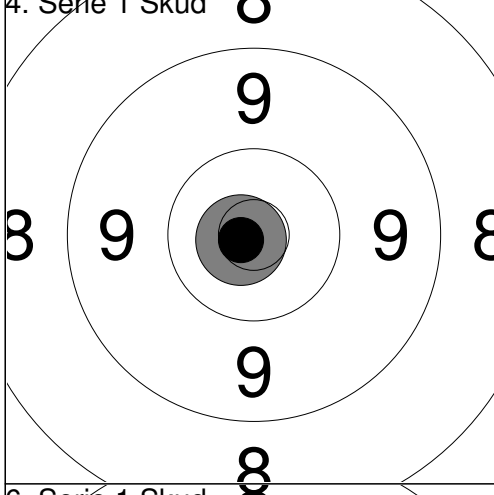
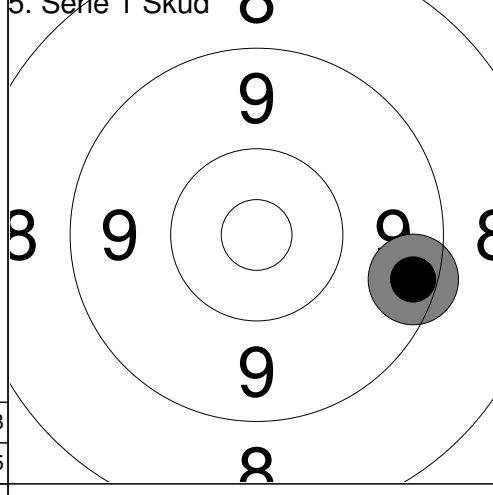
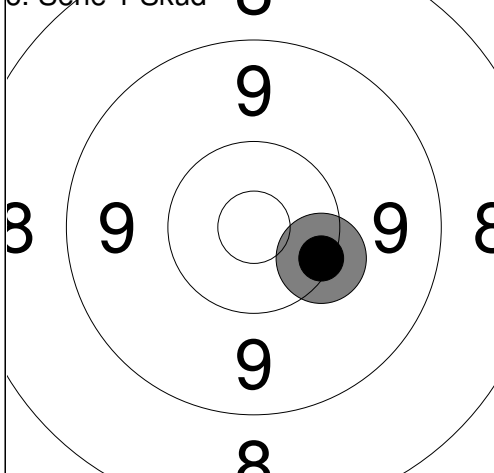
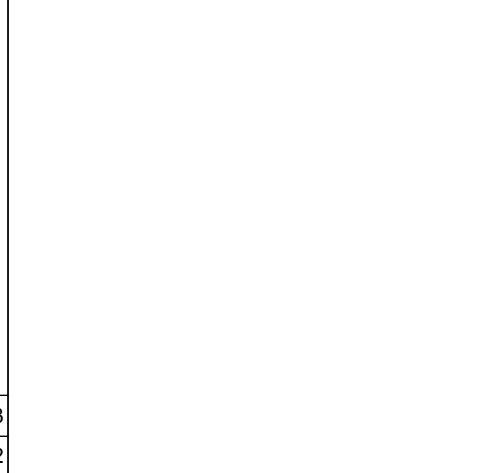
1:	*10.7	←
----	-------	---

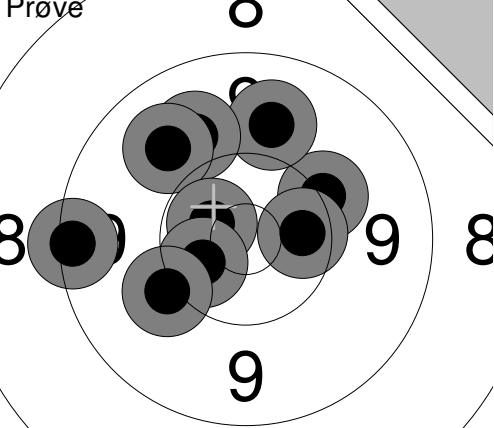
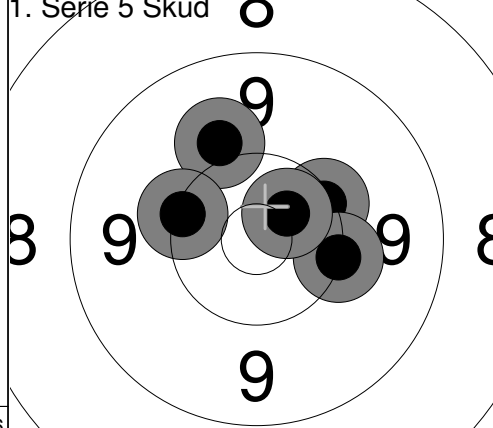
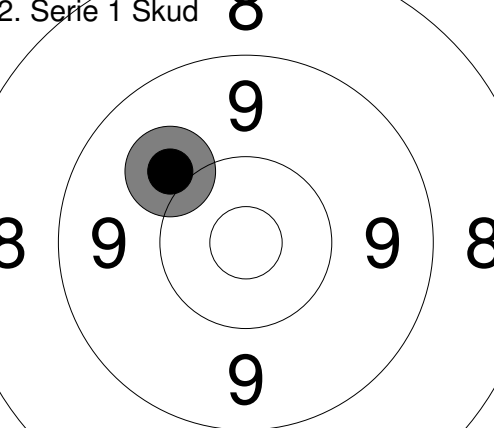
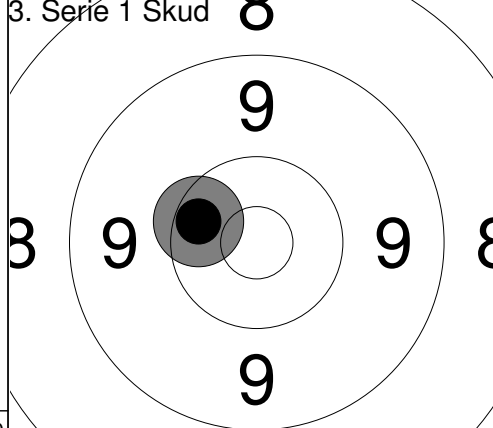
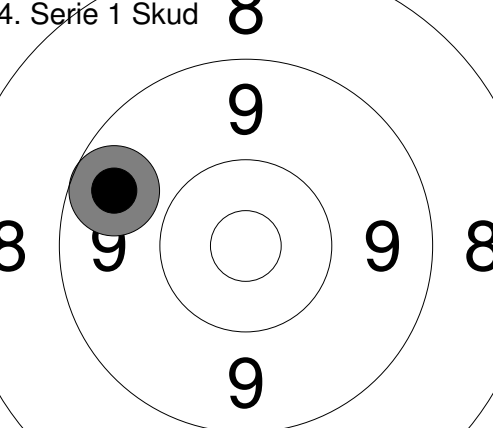
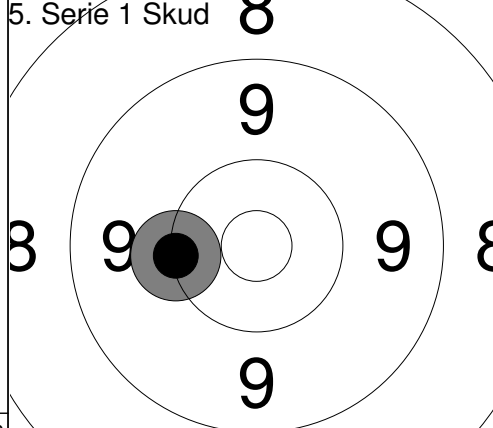
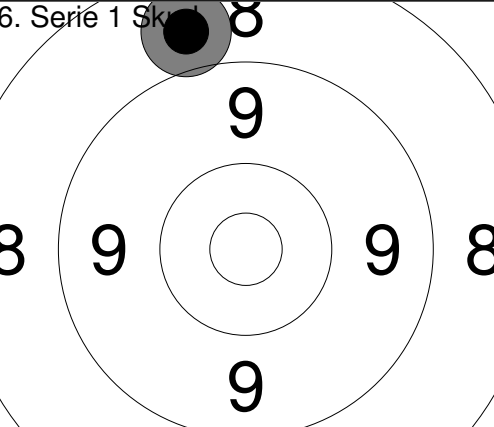
Serie	10.7
Total	392.8

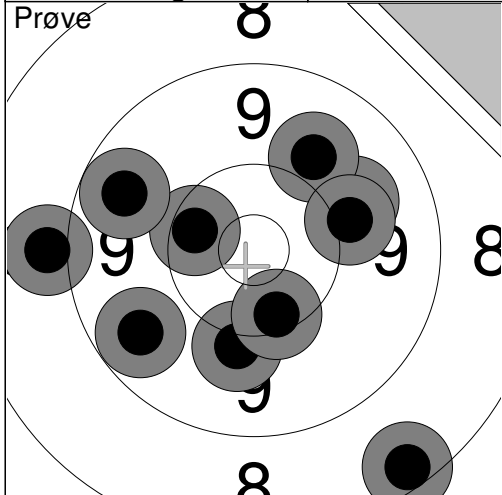


1:	10.0	→
----	------	---

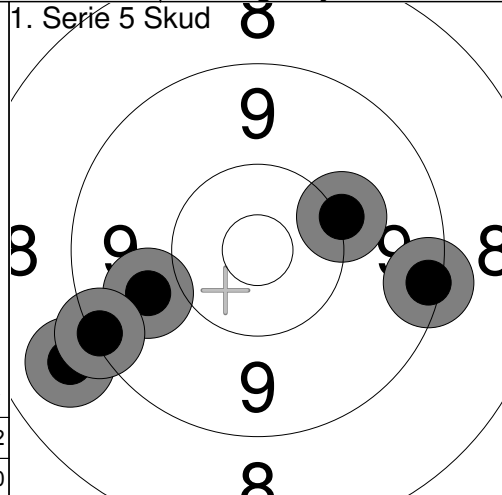
Serie	10.0
Total	402.8

Prøve 	1. Serie 5 Skud 	
1: 9.5 ↘ 2: 10.0 ← 3: *10.5 → 4: *10.5 ↓ 5: 10.2 ← 6: *10.7 ↗ 7: 9.3 ↗	1: 10.1 ↑ 2: 10.2 → 3: 10.2 ↓ 4: 9.9 ↑ 5: 10.3 ↖	
Serie 70.7	Serie 50.7	
Total 298.0	Total 348.7	
2. Serie 1 Skud 	3. Serie 1 Skud 	4. Serie 1 Skud 
1: 10.2 ↖	1: *10.8 ↓	1: *10.8 ←
Serie 10.2	Serie 10.8	Serie 10.8
Total 358.9	Total 369.7	Total 380.5
5. Serie 1 Skud 	6. Serie 1 Skud 	5. Serie 1 Skud 
1: *10.8 ←	1: 10.3 →	1: 9.4 →
Serie 10.8	Serie 10.3	Serie 9.4
Total 380.5	Total 400.2	Total 389.9

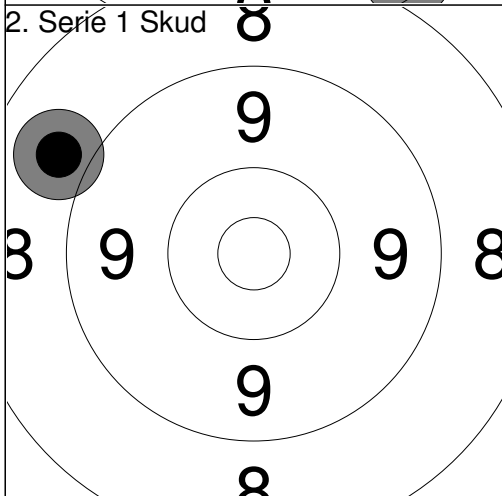
Prøve 	1: 10.1 ↗ 2: 9.9 ↑ 3: 9.9 ↗ 4: *10.4 → 5: 9.8 ↗ 6: *10.6 ↗ 7: *10.5 ↖ 8: 10.1 ↖ 9: 9.3 ←	1. Serie 5 Skud 	1: 10.3 ↗ 2: 10.2 → 3: 10.0 ↗ 4: *10.6 ↗ 5: 10.2 ←
	Serie 90.6		Serie 51.3
	Total 299.0		Total 350.3
2. Serie 1 Skud 	1: 10.0 ↖	3. Serie 1 Skud 	1: 10.4 ↖
	Serie 10.0		Serie 10.4
	Total 360.3		Total 370.7
4. Serie 1 Skud 	1: 9.6 ↖	5. Serie 1 Skud 	1: 10.2 ←
	Serie 9.6		Serie 10.2
	Total 380.3		Total 390.5
6. Serie 1 Skud 	1: 8.8 ↑		
	Serie 8.8		
	Total 399.3		



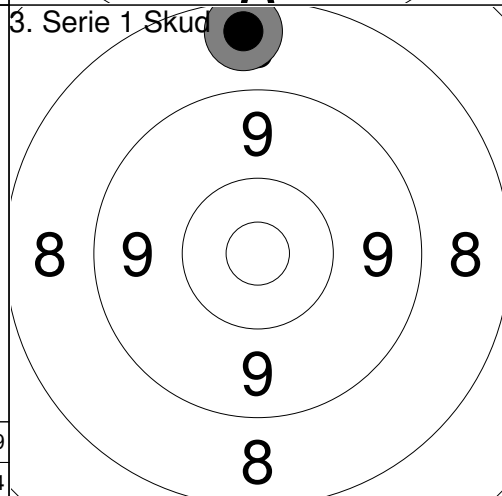
1:	8.4	↘
2:	10.1	↓
3:	9.6	↙
4:	10.3	↓
5:	10.4	↖
6:	9.9	→
7:	9.9	↗
8:	9.6	↖
9:	10.0	→
10:	9.0	←
Serie		97.2
Total		291.0



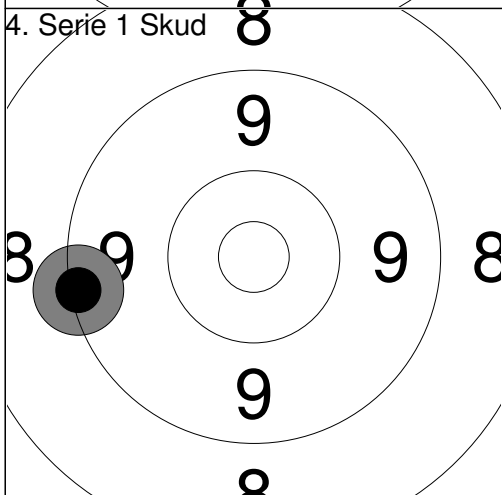
1:	9.9	←
2:	8.9	↙
3:	10.1	↗
4:	9.3	↖
5:	9.3	→
Serie		47.5
Total		338.5



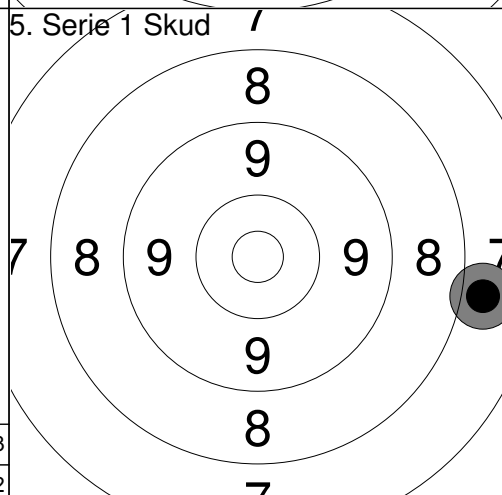
1:	8.9	↖
Serie		8.9
Total		347.4



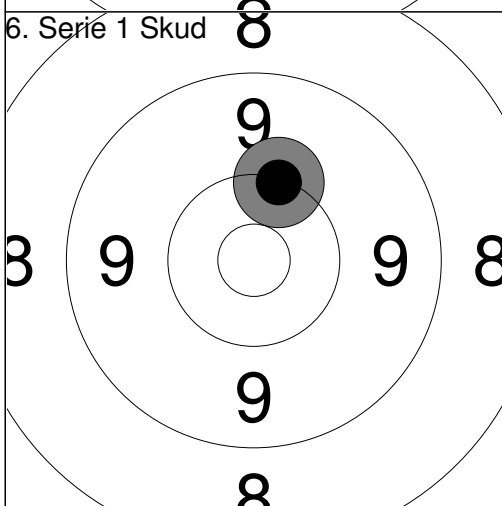
1:	8.5	↑
Serie		8.5
Total		355.9



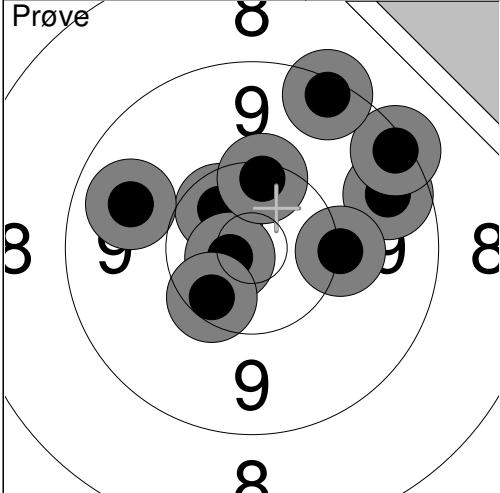
1:	9.3	←
Serie		9.3
Total		365.2



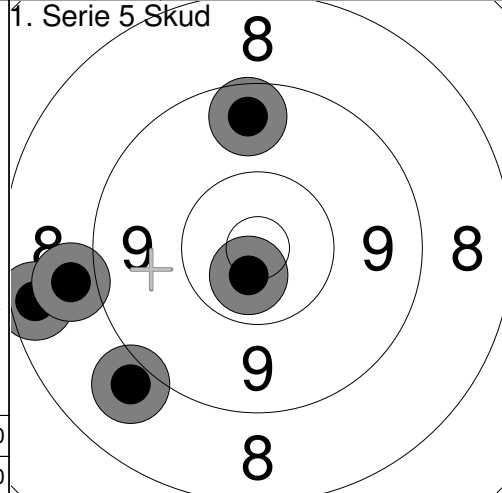
1:	7.9	→
Serie		7.9
Total		373.1



1:	10.2	↑
Serie		10.2
Total		383.3



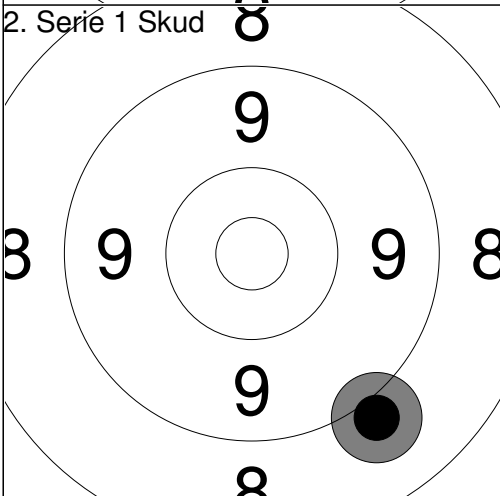
1:	9.6	→
2:	*10.5	↖
3:	9.3	↗
4:	*10.7	←
5:	9.8	↖
6:	10.3	↑
7:	9.3	↗
8:	10.1	→
9:	10.4	↘



1:	8.5	←
2:	9.5	↑
3:	*10.7	↓
4:	8.9	↘
5:	8.9	←

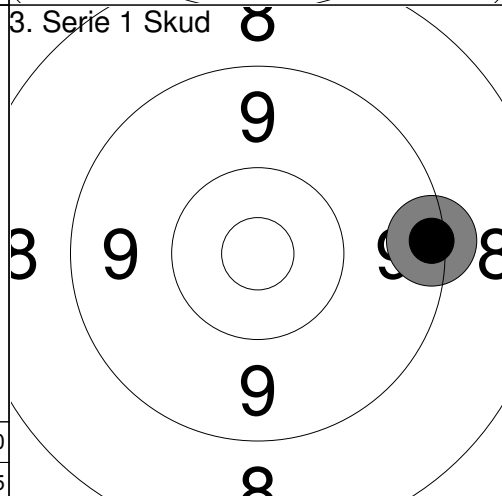
Serie	90.0
Total	287.0

Serie	46.5
Total	333.5



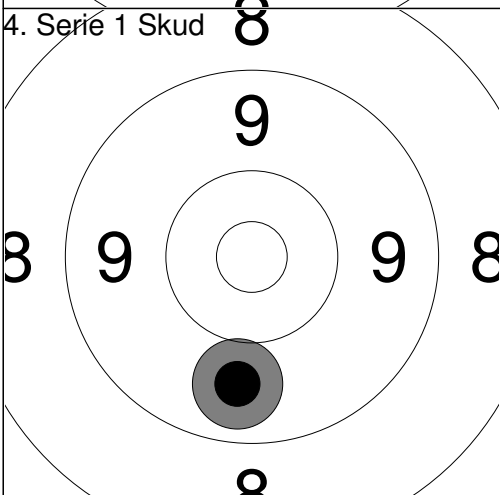
1:	9.0	↘
----	-----	---

Serie	9.0
Total	342.5



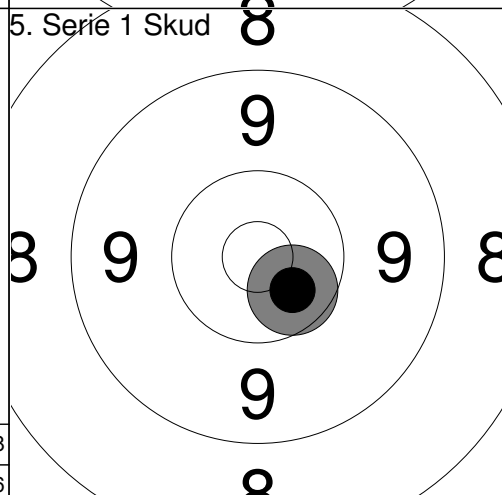
1:	9.3	→
----	-----	---

Serie	9.3
Total	351.8



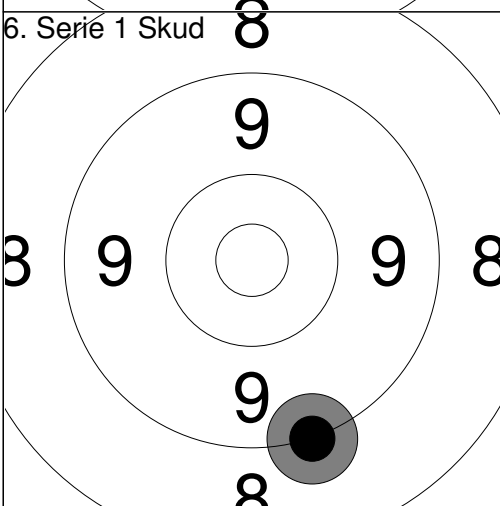
1:	9.8	↓
----	-----	---

Serie	9.8
Total	361.6



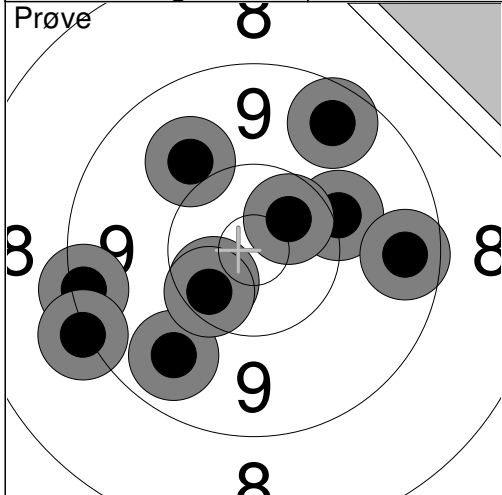
1:	*10.5	↘
----	-------	---

Serie	10.5
Total	372.1

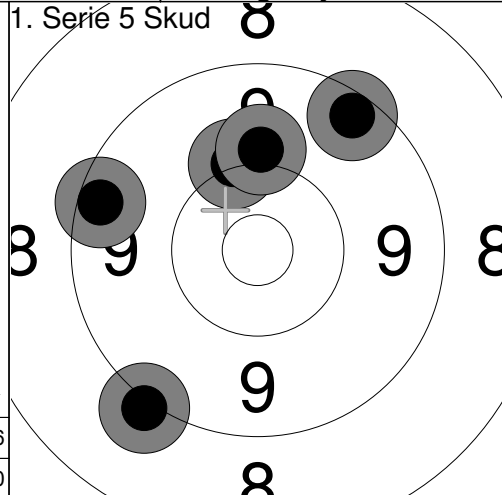


1:	9.2	↘
----	-----	---

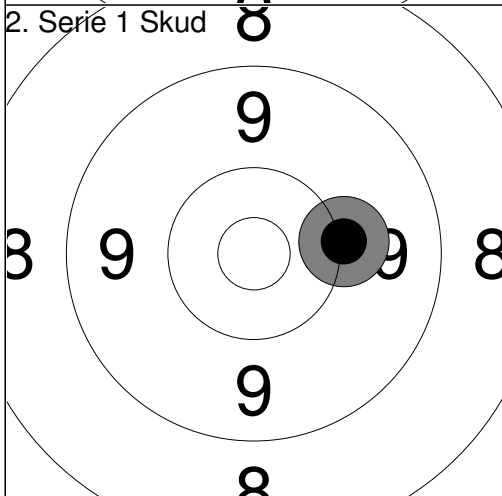
Serie	9.2
Total	381.3



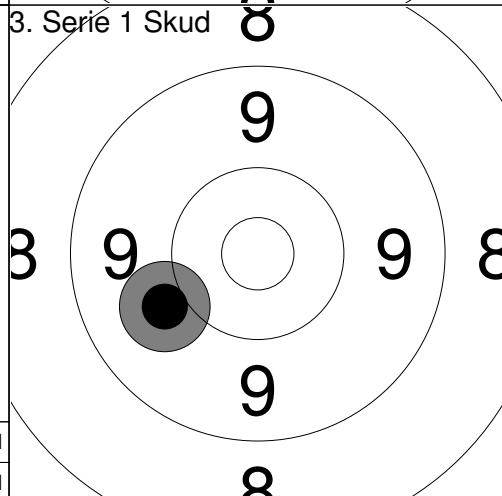
1:	*10.5	↙
2:	10.0	↖
3:	10.1	→
4:	9.5	↗
5:	9.7	↘
6:	10.4	↙
7:	9.3	←
8:	*10.5	↗
9:	9.1	←
10:	9.5	→
Serie		98.6
Total		285.0



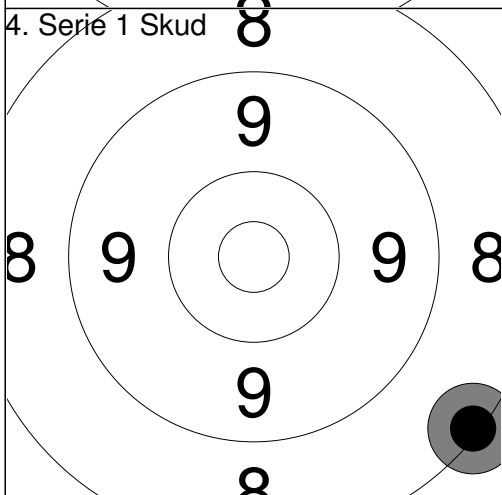
1:	10.1	↗
2:	9.1	↘
3:	9.4	←
4:	9.4	↗
5:	10.0	↑
Serie		48.0
Total		333.0



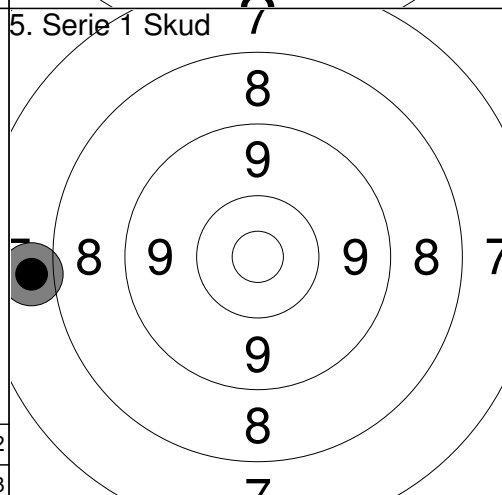
1:	10.1	→
Serie		10.1
Total		343.1



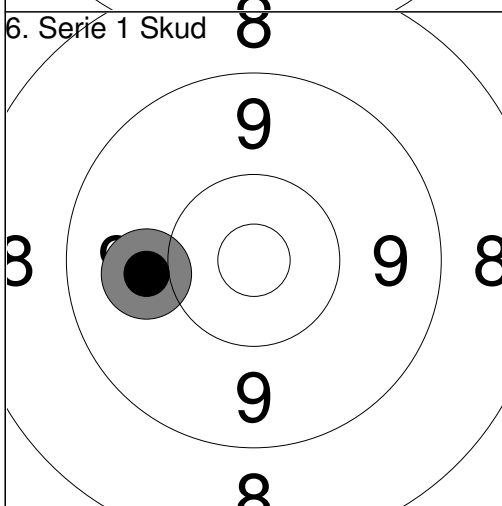
1:	10.0	←
Serie		10.0
Total		353.1



1:	8.2	↘
Serie		8.2
Total		361.3



1:	7.9	←
Serie		7.9
Total		369.2



1:	10.0	←
Serie		10.0
Total		379.2

Prøve 	1: *10.8 → 2: 10.1 ↗ 3: 9.2 ↗ 4: 7.1 ↖ 5: 10.2 ↑ 6: 10.3 ↘ Serie 57.7 Total 284.0	1. Serie 5 Skud 	1: 9.5 ← 2: 9.1 ↘ 3: 10.3 ↗ 4: 10.1 ↘ 5: 9.9 ← Serie 48.9 Total 332.9
-----------	--	---------------------	---

2. Serie 1 Skud 	1: *10.5 ↘ Serie 10.5 Total 343.4	3. Serie 1 Skud 	1: 8.4 ↗ Serie 8.4 Total 351.8
---------------------	---	---------------------	--

4. Serie 1 Skud 	1: 9.6 ↗ Serie 9.6 Total 361.4	5. Serie 1 Skud 	1: 7.9 ↘ Serie 7.9 Total 369.3
---------------------	--	---------------------	--

6. Serie 1 Skud 	1: 9.5 ↗ Serie 9.5 Total 378.8		
---------------------	--	--	--